

BUSCHJOST 82730 SERIES

2/2 - way valves DN 8 ... DN 50

Click-on®

Solenoid interchangeable without tools



For contaminated fluids the use of a strainer upstream of the valve is recommended.

For slightly aggressive gases and liquids

Indirectly solenoid actuated

Diaphragm valves

High flow rate

Damped operation

Functional compact design

Solenoid interchangeable without tools (**Click-on®**)

TECHNICAL DATA

Solenoid valve for slightly aggressive gases and liquids

Switching function:

Normally closed

Flow direction:

Determined

Internal thread:

G1/4 ... G2 or 1/4 NPT ... 2 NPT

Operating pressure:

0,1 ... 16 bar (see technical data)

Differential pressure:

0,1 bar required (0,3 bar for EPDM)

Temperature:

Fluid: -10°C ... max. +90°C

Ambient: -10°C ... max. +50°C

Mounting position:

As required, preferably with solenoid vertical on top

MATERIALS

Body: Stainless steel

Seat seal: NBR

Internal parts: Stainless steel, PVDF

Symbol	Port size	DN mm	kv-value m ³ /h	MODELS*	Operating pressure bar				
					NBR 00	Normally open 01	Manual override 02	FPM +110°C 03	EPDM +110°C 14
	G1/4	8	1,9	82730XX.9101.00000	0,1 - 16	0,1 - 16	0,1 - 16	0,1 - 16	0,3 - 16
	G3/8	10	3,0	82731XX.9101.00000	0,1 - 16	0,1 - 16	0,1 - 16	0,1 - 16	0,3 - 16
	G1/2	12	3,8	82732XX.9101.00000	0,1 - 16	0,1 - 16	0,1 - 16	0,1 - 16	0,3 - 16
	G3/4	20	6,0	82733XX.9101.00000	0,1 - 16	0,1 - 16	0,1 - 16	0,1 - 16	0,3 - 16
	G1	25	9,5	82734XX.9101.00000	0,1 - 16	0,1 - 16	0,1 - 16	0,1 - 16	0,3 - 16
	G1 1/4	32	23,0	82735XX.9101.00000	0,1 - 10	-	0,1 - 10	0,1 - 10	0,3 - 10
	G1 1/4	32	23,0	82735XX.9151.00000	0,1 - 16	0,1 - 16	0,1 - 16	0,1 - 16	0,3 - 16
	G1 1/2	40	25,0	82736XX.9101.00000	0,1 - 10	-	0,1 - 10	0,1 - 10	0,3 - 10
	G1 1/2	40	25,0	82736XX.9151.00000	0,1 - 16	0,1 - 16	0,1 - 16	0,1 - 16	0,3 - 16
	G2	50	41,0	82737XX.9101.00000	0,1 - 10	-	0,1 - 10	0,1 - 10	0,3 - 10
	G2	50	41,0	82737XX.9151.00000	0,1 - 16	0,1 - 16	0,1 - 16	0,1 - 16	0,3 - 16

* For orders please state voltage and frequency, e.g.: 8273200.9101.23050 for 230V 50Hz or 8273200.9101.02400 for 24V DC

Solenoid 9101 / 9151 (standard voltages)

DC	AC	
	50Hz	60Hz
24V	24V	-
-	110V	120V
	230V	220V

Design according to DIN VDE 0580.
Voltage range +/-10%, duty cycle 100%.
Protection class according to EN 60529: IP65.
Electrical connection Form A according to DIN EN 175301-803 (included).
The solenoids are UL listed and CSA approved.

Power consumption

Solenoid	DC	AC	
		Inrush	Holding
9101	8W	15VA	12VA
9151	18W	45VA	35VA

For further information



www.norgren.com/info/en3-250

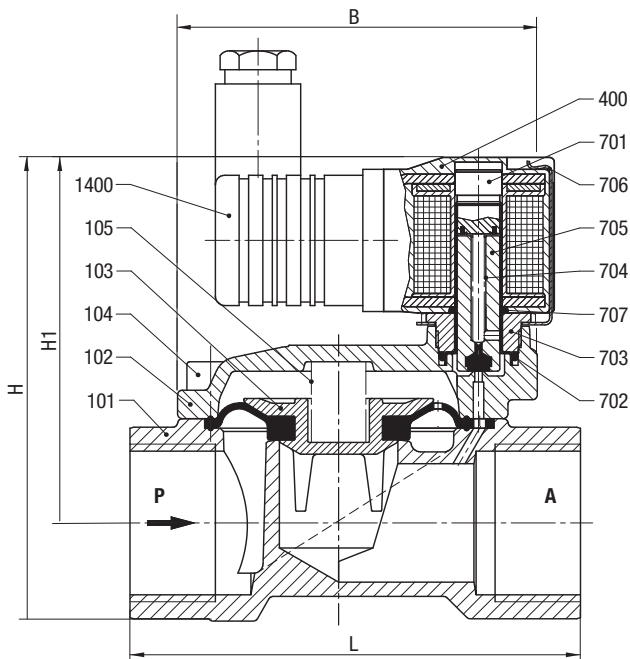
Mounting bracket*

Content: 1 stainless steel mounting bracket and 2 screws

Port size	MODELS
G1/4, G3/8, G1/2	1258986
G3/4	1258991
G1	1258996
G1 1/4, G1 1/2	1259005
G2	1259007

* For image of valve with mounting bracket, see 82400 series

DIMENSIONS



Index	Description
101	Valve body
102	Valve cover
*103	Diaphragm
104	Allen head screw
*105	Pressure spring
400	Solenoid
701	Core tube
*702	O-ring
703	Screw piece
*704	Pressure spring
*705	Plunger
706	Spring clip
*707	O-ring
1400	Electrical connector (enclosed)

* A service kit consists of these individual parts

With solenoid 9101

Port size	L mm	B mm	H mm	H1 mm
G 1/4	60	44	78,5	67,0
G3/8	60	44	78,5	67,0
G1/2	67	44	81,0	67,0
G3/4	80	50	88,0	71,5
G1	95	62	97,5	77,0
G1 1/4	132	92	124,5	95,5
G1 1/2	132	92	124,5	95,5
G2	160	109	142,5	108,0

With solenoid 9151

Port size	L mm	B mm	H mm	H1 mm
G1 1/4	132	92	142	113
G1 1/2	132	92	142	113
G2	160	109	160	125,5

Service kits

For valves with solenoid 9101	MODELS
8273000, 8273100, 8273200	1256274
8273300	1256275
8273400	1256276
8273500, 8273600	1259344
8273700	1259367

For valves with solenoid 9151	MODELS
8273500, 8273600	1269065
8273700	1269066

Further options (valves)

Explosion protected version
 Flange connections
 Sealed core tube
 Latching version in DC only
 Low power consumption 2W (only 24VDC)
 With NPT thread

Further options (solenoids)

XXXXXX.9136 Solenoid in protection class $\text{Ex II 2 GD EEx m II T4 T 130}^\circ\text{C}$, with 3 m connection cable

Further options on request