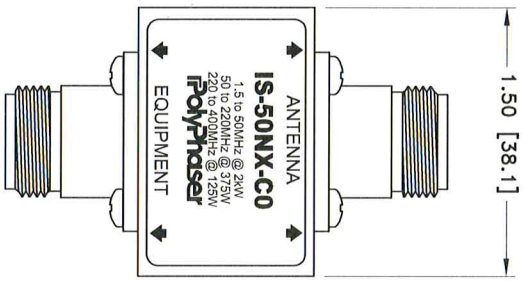
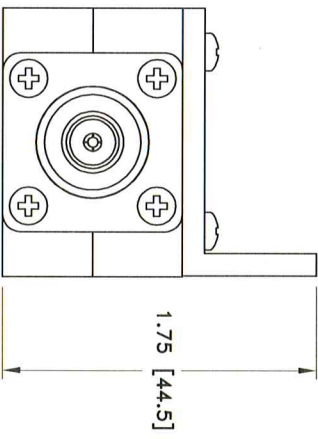
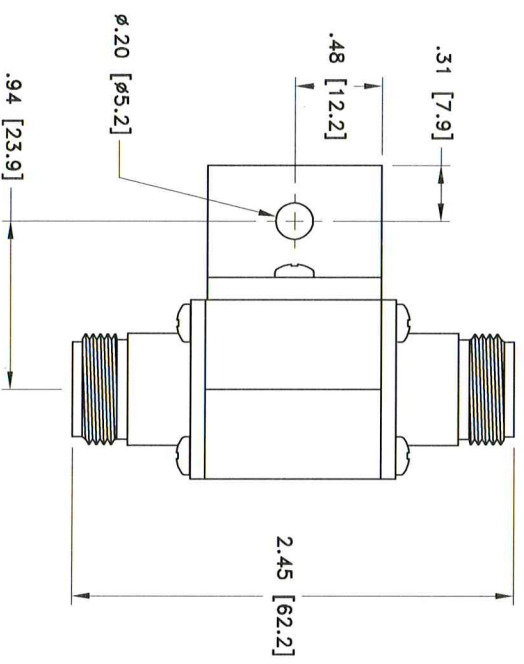


ALL PERSONS OPERATING AND PROCESS DATA PERTAINING TO THE ARTICLES SHOWN ON THIS SHEET IS THE PROPERTY OF POLYPHASER CORPORATION. THE INFORMATION CONTAINED HEREIN IS UNCLASSIFIED AND IS NOT TO BE RELEASED OR APPROPRIATED BY OTHERS WITHOUT THE EXPRESS WRITTEN CONSENT OF POLYPHASER CORPORATION.

MAXIMUM CHARACTERISTICS

APPLICATION:
FLANGE MOUNT
FREQUENCY RANGE:
1.5MHz TO 400MHz
VSWR:
≤1.2:1 1.5MHz TO 2MHz
≤1.1:1 2MHz TO 400MHz
INSERTION LOSS:
≤0.1dB OVER FREQUENCY RANGE
POWER:
HF 2kW, VHF 375W, UHF 125W
THROUGHPUT ENERGY:
≤10mJ 6kV/3kA 8/20μs WAVEFORM
OPERATING TEMPERATURE:
-40°C TO +50°C
STORAGE TEMPERATURE:
-40°C TO +85°C
VIBRATION:
1G AT 5Hz TO 100Hz



| REVISIONS | | | | |
|-----------|----------|-----|------|------|
| REV LTR | DATE | ENG | MKTG | Q.A. |
| A | 07/14/99 | SH | M.M | T.M |
| B | 01/15/01 | SH | KCB | PH |
| C | 12/20/02 | SH | KCB | SD |
| | | | | LJ |

CUSTOMER APPROVAL: _____ DATE: _____
ALL DIMENSIONS SHOWN ABOVE ARE FOR REFERENCE ONLY.

| | | | | | | | | | | | |
|---------------|--|----------|--|----------------------------|--|------------------|--|-------------------|--|-------------------|--|
| DRAWN BY | | DATE | | CAGE CODE | | FILE NAME | | SCALE | | SHEET | |
| J. CALLISTER | | 02/24/98 | | 61114 | | -C1 | | 1/1 | | 1 OF 1 | |
| MECH ENGINEER | | DATE | | P.O. BOX 3000 | | MINDEN, LA 70453 | | TEL: 775-798-2511 | | FAX: 775-798-4476 | |
| O. AKDAG | | 03/20/98 | | DWG NO/PART NO/DESCRIPTION | | IS-50NX-C0 | | CUSTOMER PRINT | | | |
| ELEC ENGINEER | | DATE | | MARKETING | | | | | | | |
| K. BARTEL | | 03/16/98 | | DATE | | | | | | | |
| MARKETING | | DATE | | QUALITY DEPT | | | | | | | |
| R. MATHEUS | | 03/20/98 | | | | | | | | | |

PolyPhaser