

Specifications:

Height: FBO-10 19.0" (48.26 cm)
with DP Gauge 20.08" (51.0 cm)

FBO-14 23.0" (58.42 cm)
with DP Gauge 24.08" (61.16 cm)

Width: 8.6" (21.8 cm)
with Bracket 10.7"[±] (27.9 cm)

Depth: 8.6" (21.8 cm)
with Bracket 9.8" (24.9 cm)

Weight: FBO-10-DPL: 15 lbs
FBO-14-DPL: 17 lbs

Ports: 1.5" NPT (Inlet and Outlet)

Service Clearance (Drop-down): 1.13" (2.87 cm)

Maximum Pressure: 150 psi (10.0 bar)

Max Flow Rate: 20 gpm (76 lpm) to 75 gpm (284 lpm)
based on housing, fuel type and element.

Fuel Type: Diesel (up to B20), Gasoline, or Kerosene

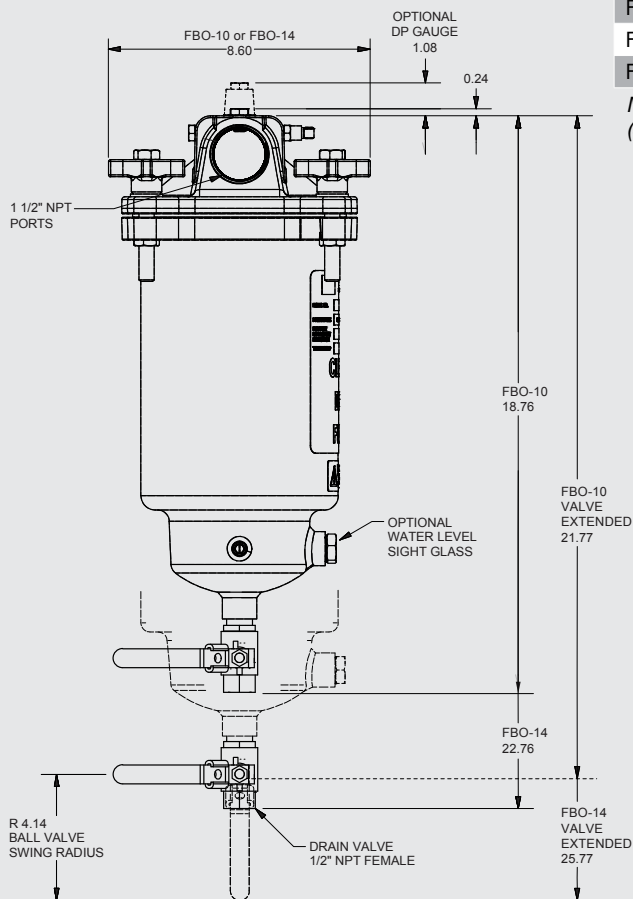
** Filter elements ordered separately unless noted

Create a Part Number

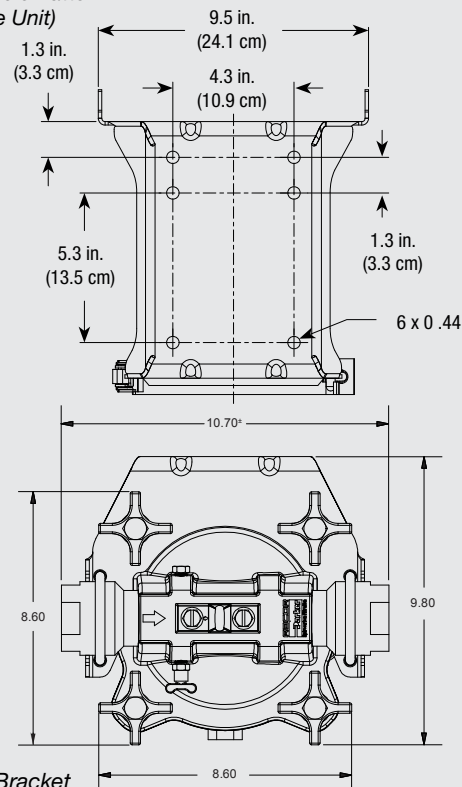
Housing Type	Housing Size		Optional Add Ons				
	Required	10" Height **	14" Height **	Delta-P Gauge **	Delta-P Gauge/ Liquid Sight Glass **	25 micron Element Included	Marine Assembly - White Element Included
FBO		10	14	DP	DPL	25M	MA

ASSEMBLY	DESCRIPTION
FBO-10	10" Assy., Drain Valve
FBO-10-DP	10" Assy., Drain Valve, Delta-P Gauge
FBO-10-DPL	10" Assy., Drain Valve, Delta-P Gauge, Sight Glass
FBO-10-25M	10" Assy., Drain Valve, Delta-P Gauge, Sight Glass, 25 micron filter
FBO-10-MA	10" Assy., Marine - Drain Valve, Delta-P Gauge, Sight Glass, Bracket/Fittings, 25 micron filter
FBO-14	14" Assy., Drain Valve
FBO-14-DP	14" Assy., Drain Valve, Delta-P Gauge
FBO-14-DPL	14" Assy., Drain Valve, Delta-P Gauge, Sight Glass
FBO-14-25M	14" Assy., Drain Valve, Delta-P Gauge, Sight Glass, 25 micron filter
FBO-14-MA	14" Assy., Marine - Drain Valve, Delta-P Gauge, Sight Glass, Bracket/Fittings, 25 micron filter

Dimensions:



Mounting Bracket Hole Pattern (Standard on Marine Unit)



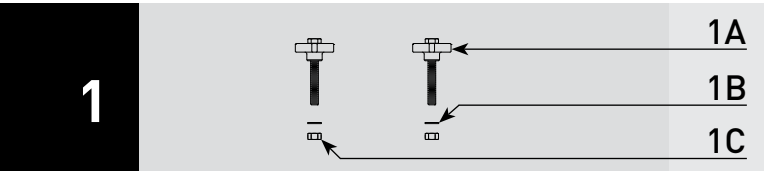
Top - with Bracket



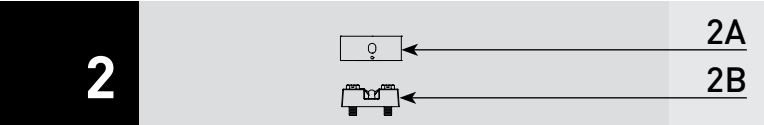
WARNING: The products described in this literature can expose you to chemicals including Diisononyl phthalate, Carbon black extract, which are known to the State of California to cause cancer. For more information go to www.P65Warnings.ca.gov.

PARTS

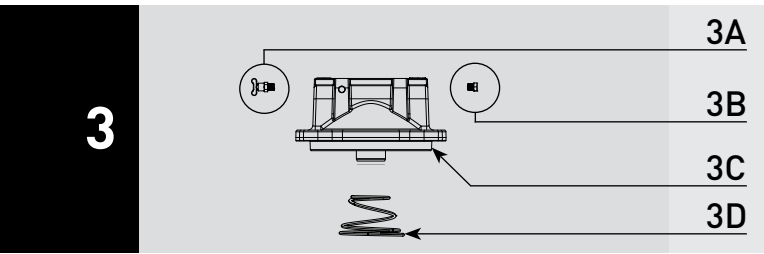
FBO Series



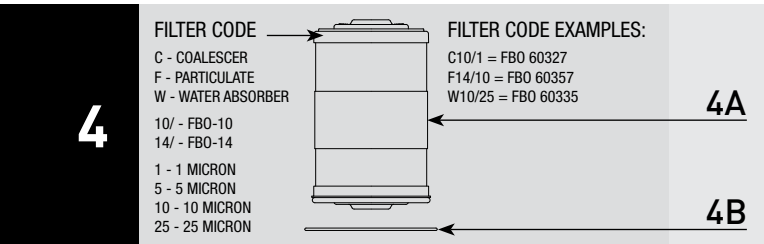
Part #	Description
1A 72712	FBO 1/2" Knob Handle Bolt
1B	FBO 1/2" Washer
1C	FBO 1/2" Hex Nut



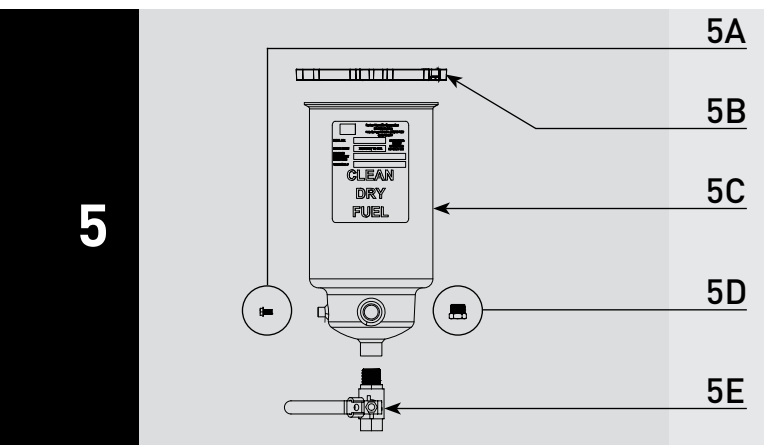
2A	DP Gauge Heat Shield (included in Marine Assembly)
2B 72694	Differential Pressure Gauge (0-15 PSID)
72783	Differential Pressure Gauge (0-30 PSID)



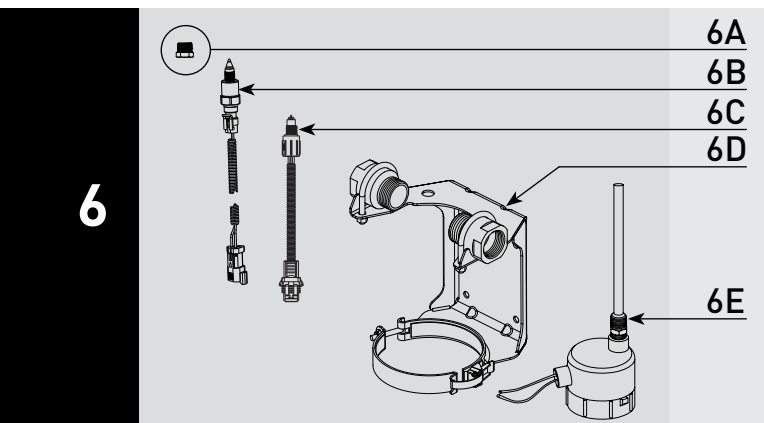
3A	1/8" NPT Brass Vent Valve
3B	1/8" NPT Brass Pipe Plug
3C	FBO Head (Yellow)
	FBO Head (White)
3D	FBO Conical Spring - Stainless Steel



4A	FBO-10 Replacement Elements Includes 4B	Micron	Coalescer/Separator C	Particulate F	Water Absorber W
10/	1	FBO 60327	FBO 60330	FBO 60333	
	5	FBO 60328	FBO 60331	FBO 60334	
	10	FBO 60353	FBO 60354	FBO 60355	
	25	FBO 60329	FBO 60332	FBO 60335	
4A	FBO-14 Replacement Elements Includes 4B	Micron	Coalescer/Separator C	Particulate F	Water Absorber W
14/	1	FBO 60336	FBO 60339	FBO 60342	
	5	FBO 60337	FBO 60340	FBO 60343	
	10	FBO 60356	FBO 60357	FBO 60358	
	25	FBO 60338	FBO 60341	FBO 60344	
4B	OV-13	FBO Viton® O-ring			



5A	Ground Screw - #10-32 X 3/8 Slotted Hex Head
5B	FBO Flange (Yellow) - Includes 4B
	73153-W-KIT FBO Flange (White) - Includes 4B
5C	FBO-10 Housing (Black)
	FBO-14 Housing (Black)
5D	72710 1/2" NPT Brass Sight Glass
5E	73225-.5 1/2" NPT Brass Locking Ball Valve



6A	RK18-1656 1/2" NPT Steel Adapter
6B	RK23191-01 Steel - 1/2"-20 Water Sensor - Requires 6A **
6C	RK30880E Plastic - 1/2"-20 Water Sensor - Requires 6A **
6D	73084 FBO Mounting Bracket Kit (Black) with Brass Fittings
6E	FBO-HTR-KIT 45 watt, 120 VAC Heater **

** Note: Not for use in Gasoline Applications