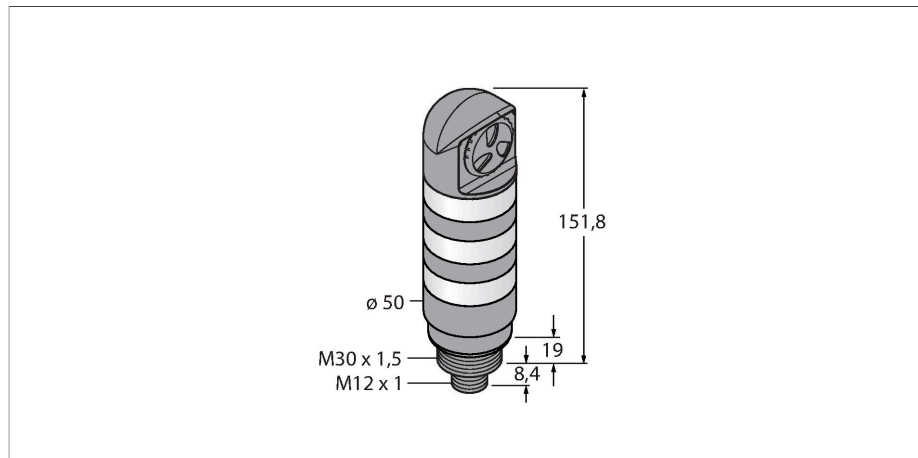


TL50BLGY2R1ALS4Q

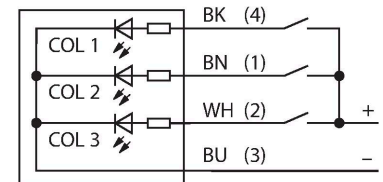
LED Indicator – Tower Light



Features

- Black plastic housing
- Protection class IP67
- EMI and RFI immune
- Colors: Green (COL 1) / Yellow flashing (COL 2) / Red rotating (COL 3)
- Operating voltage: 12...30 VDC or 24 VAC with 45 mA per LED color
- Inputs: PNP/NPN
- Beeper: Sealed, stakkato max. 94 dB

Wiring diagram



Functional principle

The rugged multifunction TL50 beacon is available in many variations and is easily mounted. Each signal tower can be assembled from a maximum of four varicolored LEDs, with or without a beeper. You can also choose from three different lighting functions (steady, rotating, flashing). The lighting function is indicated in the type code after the color (no number: steady; 1: rotating; 2: flashing). Clearly visible status displays for indoor and outdoor applications. The wiring diagram shows a PNP pin assignment.

5 colors are available, blue (B), green (G), red (R), yellow (Y) and white (W), which specify the light sequence from bottom to top in the type designation of the tower light. Example: TL50GYRQ, designates the colors green, yellow and red from bottom to top.

Technical data

| | |
|------------------------------------|--|
| Type | TL50BLGY2R1ALS4Q |
| ID | 3085108 |
| Signal and display data | |
| Purpose | LED indicator light |
| Function | Tower light |
| Light type | Green Yellow, flashing Red, rotating |
| Dimmable | no |
| Features of color 1 | Green, Permanently on, 52 lm |
| Features of color 2 | Yellow, Flashing, 15 lm |
| Features of color 3 | Red, Rotating, 24 lm |
| acoustic signal | Staccato, 94 dB |
| Electrical data | |
| Operating voltage | 12...30 VDC |
| DC rated operational current | ≤ 125 mA |
| Operating voltage | 21...27 VAC |
| AC rated operational current | ≤ 100 mA |
| Max. current consumption per color | 125 mA |
| Max. current consumption of beeper | 35 mA |
| Input type | Bipolar (PNP/NPN) |
| Response time typical | < 1 ms |
| Mechanical data | |
| Cascadable | No |
| Design | Smooth barrel, TL50BL |
| Dimensions | Ø 50 x 179.1 x 179.1 mm |
| Housing material | Plastic, ABS, Black |

Technical data

| | |
|------------------------|-------------------------|
| Window material | Polycarbonate, clear |
| Electrical connection | Connector, M12 × 1, PVC |
| Number of cores | 5 |
| Ambient temperature | -20...+50 °C |
| Relative humidity | 0...95 % |
| Protection class | IP67 |
| Tests/approvals | |
| Approvals | CE, UL listed |

Accessories

| | | | |
|-----------------------|---|-----------------------|---|
| <p>SMB30A</p> | <p>3032723</p> <p>Mounting bracket, rectangular, stainless steel, for sensors with 30mm thread</p> | <p>SMB30FA</p> | <p>3074005</p> <p>Montagewinkel; Werkstoff VA 1.4401</p> |
| <p>SMB30SC</p> | <p>3052521</p> <p>Mounting bracket, PBT black, for sensors with 30 mm thread, rotatable</p> | | |

Accessories

| Dimension drawing | Type | ID | |
|-------------------|-----------------------------|---|--|
| | <p>RKC4.5T-2/TEL</p> | <p>6625016</p> <p>Connection cable, female M12, straight, 5-pin, cable length: 2 m, sheath material: PVC, black; cULus approval; other cable lengths and qualities available, see www.turck.com</p> | |
| | <p>WKC4.5T-2/TEL</p> | <p>6625028</p> <p>Connection cable, female M12, angled, 5-pin, cable length: 2 m, sheath material: PVC, black; cULus approval; other cable lengths and qualities available, see www.turck.com</p> | |