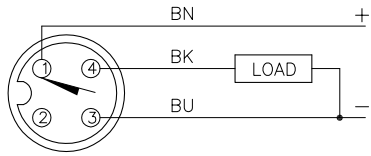


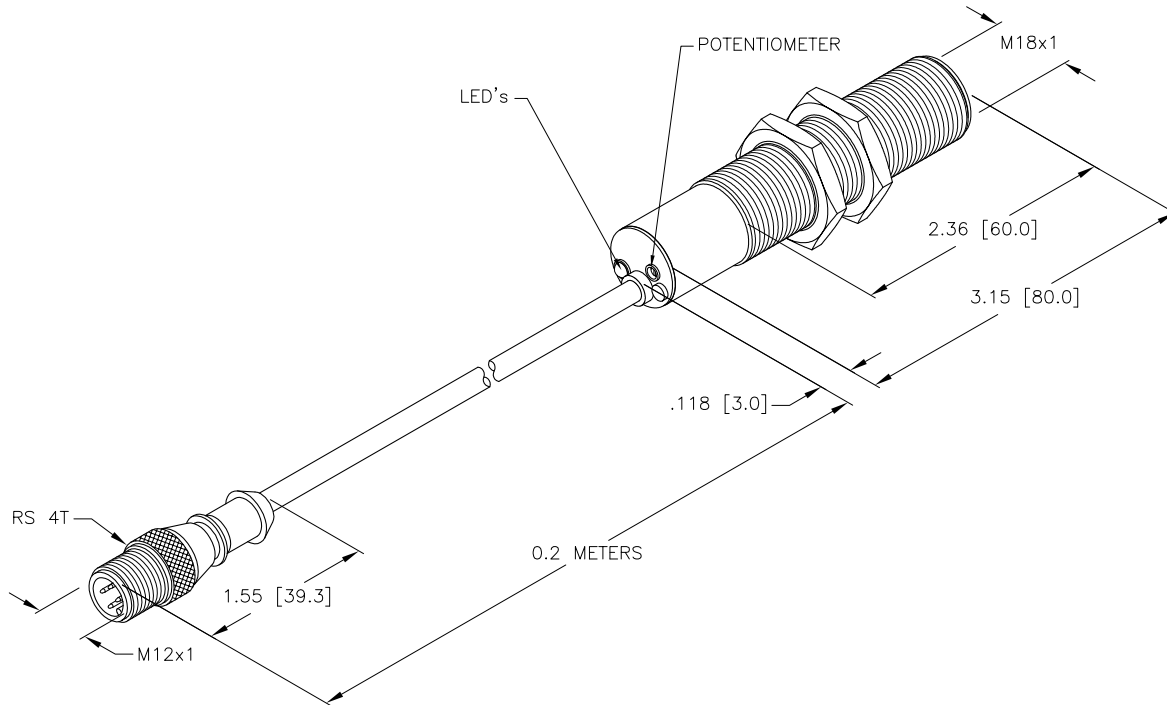
WIRING DIAGRAM



OUTPUT: AP8X

SPECIFICATIONS

OPERATING VOLTAGE	24 VDC ±20%
CURRENT CONSUMPTION	70 mA
OUTPUT	NORMALLY OPEN, PNP
SWITCHING CURRENT	200 mA
ELECTRICAL CONNECTION	POTTED, 2 METER CABLE
TIME DELAY BEFORE AVAILABILITY	20-40 SEC.
RESPONSE TIME	1-5 SEC. (2 SEC. TYPICAL)
FLOW DETECTION RANGE AIR:	0.5-15 m/sec.
OPERATING TEMPERATURE AMBIENT:	-20° to +70°C (-4° to +158°F)
MAX. TEMPERATURE GRADIENT	200 °C/MINUTE
DEGREE OF PROTECTION	IP67
PROCESS CONNECTION	M18x1
HOUSING MATERIAL	NICKEL-PLATED BRASS
MAXIMUM PRESSURE	10 BAR/145 Psi



SOURCE DRAWING - FOR REFERENCE ONLY

RELATED DOCUMENTS 1. 2. 3. 4.	3RD ANGLE PROJECTION 	THIS DRAWING IS PROPERTY OF TURCK INC. USE OF THIS DOCUMENT WITHOUT WRITTEN PERMISSION IS PROHIBITED.		3000 CAMPUS DRIVE MINNEAPOLIS, MN 55441 1-800-544-7769 (763) 553-7300 (763) 553-0708 fax turck.com	
	MATERIAL	ALL DIMENSIONS DISPLAYED ON THIS DRAWING ARE FOR REFERENCE ONLY	DRFT RDS DATE 08/12/05	DESCRIPTION FCS-M18-AP8X-0.2M-RS 4T	
			DSGN RT SCALE 1=1.5	IDENTIFICATION NO. M6870794	
	FINISH	CONTACT TURCK FOR MORE INFORMATION	UNIT OF MEASUREMENT INCH [MILLIMETER]		REV A

A	DRAWING RELEASE	RDS	08/12/05	
REV	DESCRIPTION	BY	DATE	ECO NO.

DO NOT SCALE THIS DRAWING

FILE: M6870794

SHEET 1 OF 1