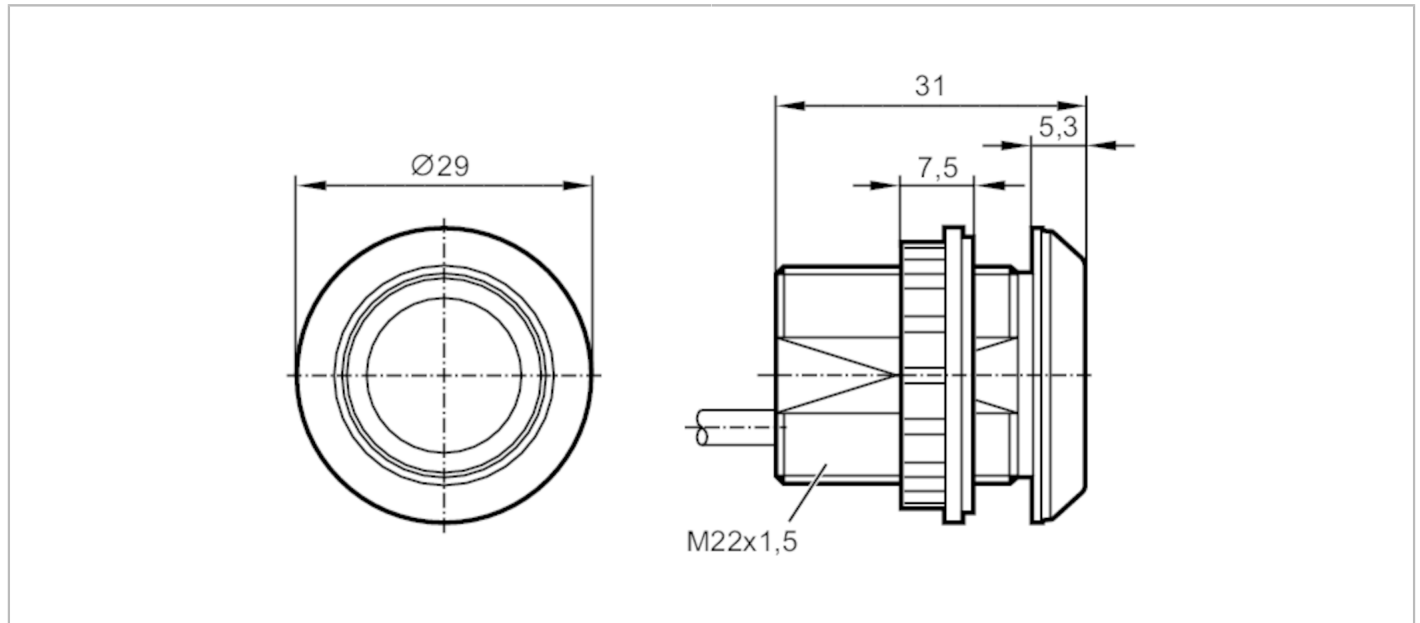


KT5110



Capacitive illuminated pushbutton

KTMSF-KGRBPKG/2M



| Product characteristics | | |
|---|------|--------------------------------------|
| Electrical design | | PNP |
| Output function | | normally open |
| Dimensions | [mm] | Ø 29 / L = 31 |
| Application | | |
| Principle of operation | | static |
| Electrical data | | |
| Operating voltage | [V] | 12...30 DC |
| Current consumption | [mA] | 30 |
| Protection class | | III |
| Reverse polarity protection | | yes |
| Max. power-on delay time | [ms] | 500 |
| Outputs | | |
| Electrical design | | PNP |
| Output function | | normally open |
| Permanent current rating of switching output DC | [mA] | 200 |
| Short-circuit protection | | yes |
| Overload protection | | yes |
| Reaction times | | |
| Response time | [ms] | 35 |
| Operating conditions | | |
| Ambient temperature | [°C] | -40...85 |
| Protection | | IP 65; IP 67; IP 69K; (on the front) |

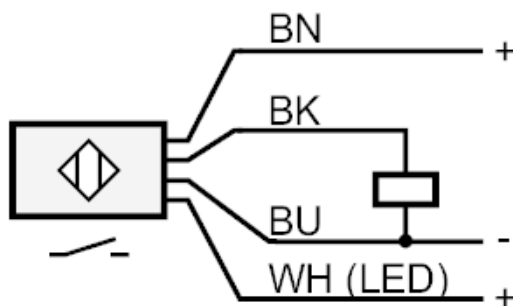
KT5110



Capacitive illuminated pushbutton

KTMSF-KGRBPKG/2M

| Tests / approvals | | |
|-------------------------------|---|---------------------------------|
| EMC | IEC 61000-4 | |
| MTTF [years] | | 516 |
| Mechanical data | | |
| Weight [g] | | 97.5 |
| Dimensions [mm] | | Ø 29 / L = 31 |
| Material | PA 6.6-GF30 black; actuating surface: PA Grilamid TR 90UV | |
| Displays / operating elements | | |
| Display | Switching status | 1 x LED, red |
| | Function | 1 x LED, green can be triggered |
| Accessories | | |
| Items supplied | | lock nuts: 1 |
| | | Gasket: 1 |
| Accessories (optional) | | Symbol disc |
| Remarks | | |
| Pack quantity | | 1 pcs. |
| Electrical connection | | |
| Cable: 2 m, PUR | | |
| Connection | | |



Core colors :

- BK = black
- BN = brown
- BU = blue
- WH = white