

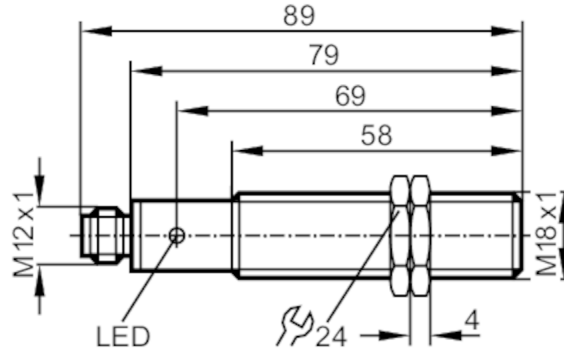
IG6592



Inductive sensor

IGA4008BCPKG/US-100-DPA

Article no longer available - archive entry



Product characteristics

Electrical design	PNP
Output function	complementary
Sensing range [mm]	8
Housing	Threaded type
Dimensions [mm]	M18 x 1 / L = 89

Electrical data

Operating voltage [V]	10...36 DC
Current consumption [mA]	15; (24 V)
Protection class	II
Reverse polarity protection	yes

Outputs

Electrical design	PNP
Output function	complementary
Max. voltage drop switching output DC [V]	2.5
Max. leakage current [mA]	0.5
Permanent current rating of switching output DC [mA]	100
Switching frequency DC [Hz]	500
Short-circuit protection	yes
Type of short-circuit protection	yes (non-latching)
Overload protection	yes

Monitoring range

Sensing range [mm]	8
Operating distance [mm]	0...6.48

Accuracy / deviations


Correction factor	steel: 1 / stainless steel: 0.7 / brass: 0.4 / aluminum: 0.3 / copper: 0.2
Hysteresis [% of Sr]	1...15

IG6592



Inductive sensor

IGA4008BCPKG/US-100-DPA

Operating conditions		
Ambient temperature	[°C]	-40...80
Protection		IP 67; IP 69K
Tests / approvals		
EMC	EN 61000-4-2 ESD	4 kV CD / 8 kV AD
	EN 61000-4-3 HF radiated	10 V/m
	EN 61000-4-4 Burst	2 kV
	EN 61000-4-5 Surge	0,5 kV line to line, Ri: 2 Ohm
	EN 61000-4-6 HF conducted	10 V
	EN 55011 emission	class B
Mechanical data		
Weight	[g]	75
Housing		Threaded type
Mounting		flush mountable
Dimensions	[mm]	M18 x 1 / L = 89
Thread designation		M18 x 1
Material		threaded sleeve: brass white bronze coated; sensing face: PBT
Displays / operating elements		
Display	Switching status	1 x LED, yellow
Accessories		
Items supplied		lock nuts: 2
Remarks		
Pack quantity		1 pcs.
Electrical connection - plug		
Connector: 1 x M12		
		

IG6592



Inductive sensor

IGA4008BCPKG/US-100-DPA

Connection

