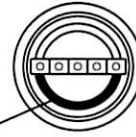
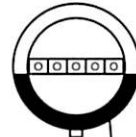


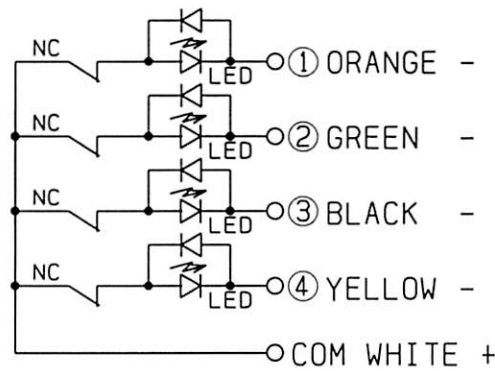
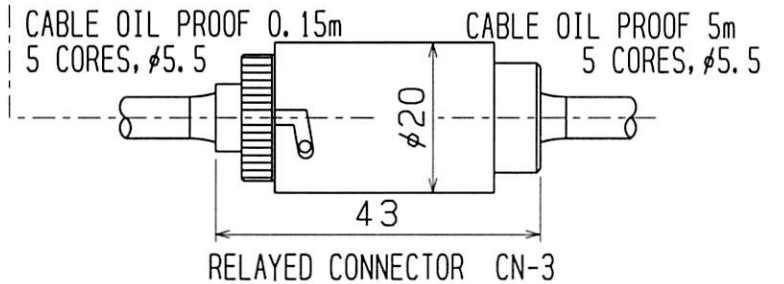
SENSOR HEAD H4A-12-06H | SOCKET CABLE 5m CN3-5-5

PINS' LAYOUT OF PROBE SIDE

PINS' LAYOUT OF MACHINE SIDE



RED PAINTED (SEEN FROM JOINT SURFACE) PLEASE JOINT RED PARTS OF EACH CONNECTOR



SET NUMBER : H4A-12-06S

COMPOSITION [SENSOR HEAD H4A-12-06H]
[SOCKET CABLE CN3-5-5]

	NAME	TOOL SETTING PROBE
A 4	DRAWING NUMBER	H4A-12-06S
1 : 1		