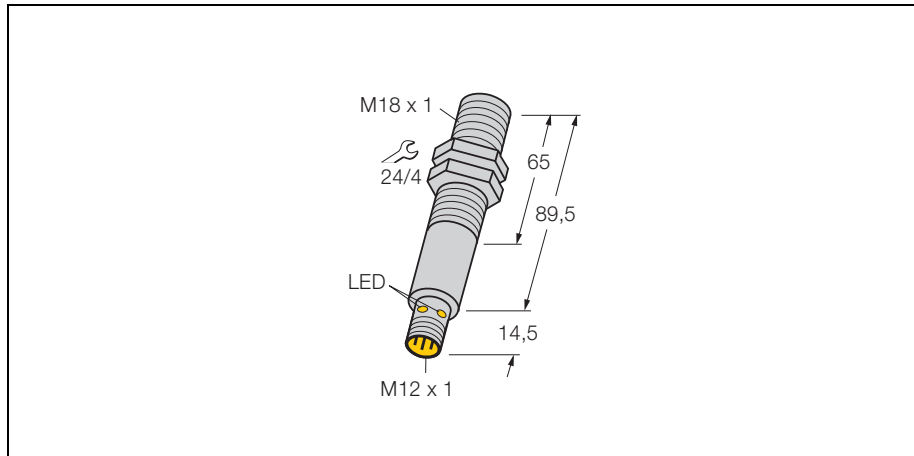
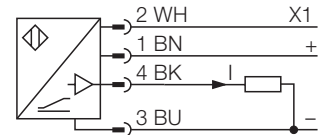


**ultrasonic sensor  
diffuse mode sensor  
RU100-M18-LIX-H1141**



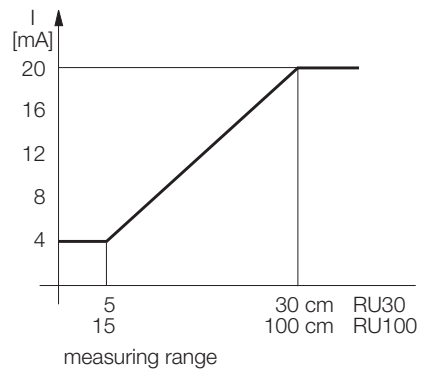
- analogue range adjustable via programming device RU-PDI (accessories)
- analogue output, 4...20 mA
- synchronizable
- opening angle of sonic cone 6°

**Wiring diagram**



**Functional principle**

Ultrasonic sensors use ultrasonic waves for non-contact and wear-free detection of a large variety of objects. It does not matter whether the object is transparent or opaque, metallic or non-metallic, or of liquid, solid or powdery consistence. Environmental conditions such as spray, dust or rain hardly affect their function.



<b>Type</b>	RU100-M18-LIX-H1141
Ident-No.	1810205
<b>Range</b>	15... 100 cm
Ultrasound frequency	230 kHz
Repeatability	≥ ± 2 mm
Edge lengths of the nominal actuator	20 mm
Pass speed	≤ 1.5 m/s
Approach speed	≤ 8 m/s
Ambient temperature	-25...+ 70 °C
<b>Operating voltage</b>	20... 30VDC
No-load current I <sub>0</sub>	≤ 60 mA
Current output	4... 20 mA
Load resistance	≤ 300 Ω
Short-circuit protection	yes / cyclic
Reverse polarity protection	complete
Wire breakage protection	yes
<b>Housing</b>	cylindrical/threaded, M18
Dimensions	104 mm
Housing diameter	18 mm
Thread length	65 mm
Housing material	metal, CuZn, nickel-plated
Connection	connectors, M12 x 1
Degree of protection	IP67

**ultrasonic sensor  
diffuse mode sensor  
RU100-M18-LIX-H1141**

**TURCK**

Industrial  
Automation

**Accessories**

Type code	Ident-No.	Short text	Dimension drawing
RU-PDI	1890000	programming device for configuration of ultrasonic sensor types RU...-M18 and RUC...-M30	