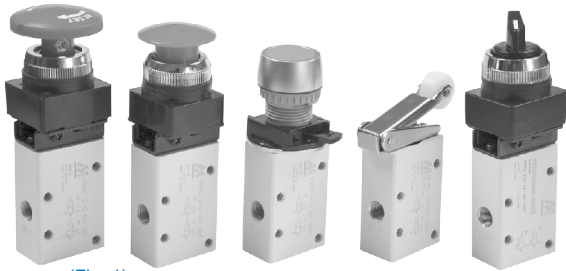


# MVMC-210 series

## MECHANICAL VALVES



mindman



### Specification

Model	MVMC-210	
Bore No.	6A	8A
Port size	Rc1/8	Rc1/4
No. of port	3	
No. of position	2	
Medium	Air	
Operating pressure range	0~1 MPa	
Proof pressure	1 MPa	
Effective orifice	19 mm <sup>2</sup>	
Ambient temperature	-5~+60°C (No freezing)	
Weight	155 g	

(Fig. 1)  
Actuator-holder (Fig. 2)



- Type  $\phi 22$  only show body and actuator-holder in (Fig. 2).
- Type  $\phi 25$ ,  $\phi 30$  fix bracket in (Fig. 1).
- Type  $\phi 22$  actuator set or released by one-action.
- Type  $\phi 25$ ,  $\phi 30$  Actuator set or released by screwdriver.

### Order example

MVMC - 210 - 6A - 3EB - 25R - G

MODEL

BODY WIDTH

BORE SIZE  
6A: Rc1/8  
8A: Rc1/4

3way

BUTTON SIZE

22:  $\phi 22$   
25:  $\phi 25$   
30:  $\phi 30$

B1: body (without button)  
R1: roller lever  
EB: latching palm button  
LB: extended twist button  
TB: twist button  
PB: mushroom palm button  
PP: push button

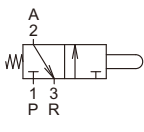
BUTTON COLOR

Type	Color
B1 type	—
R1 type	—
EB type	G : Green R : Red
LB type	B : Black
TB type	B : Black
PB type	B : Black G : Green
PP type	R : Red

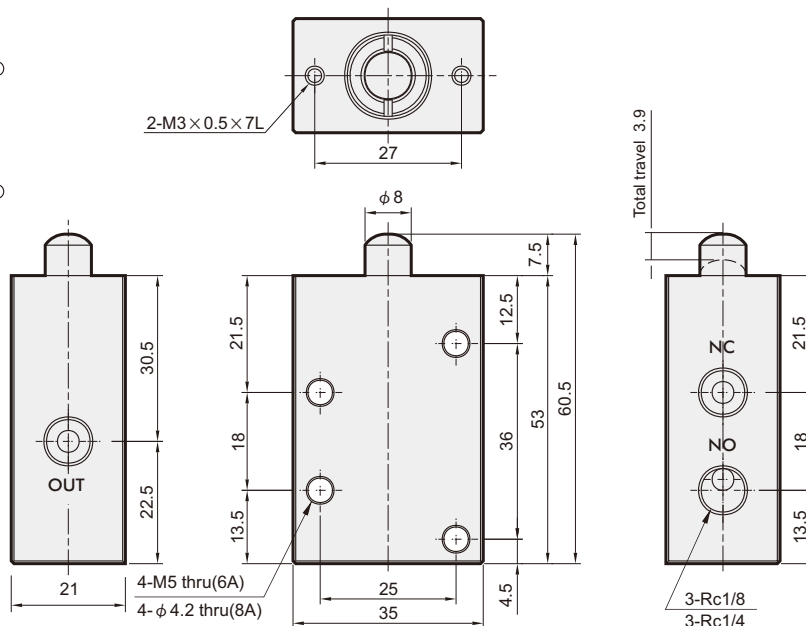
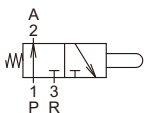
PORT THREAD  
Blank: Rc thread  
G: G thread  
NPT: NPT thread

### MVMC-210-3B1

NC



NO



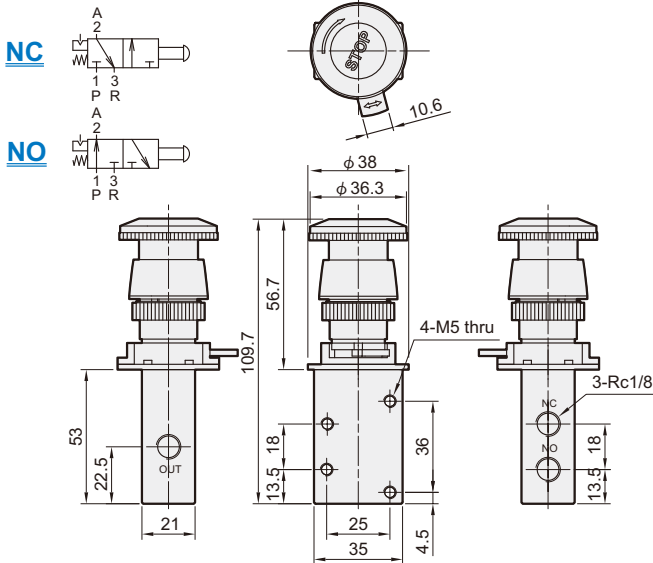
mindman

# MVMC-210 Dimensions

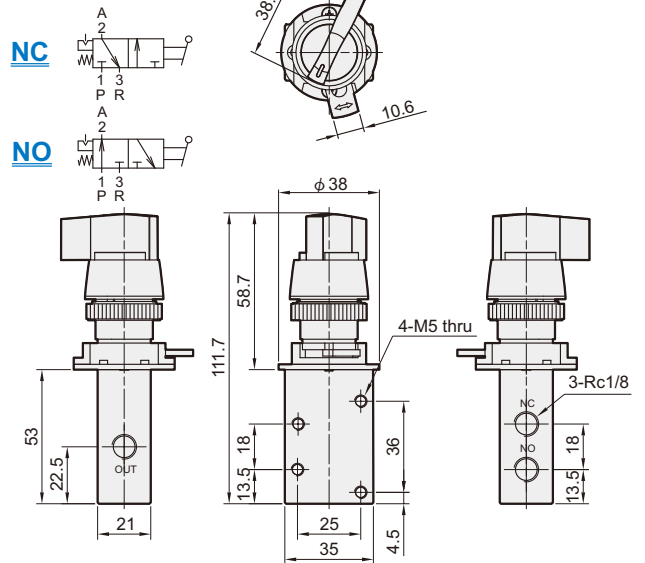
## MECHANICAL VALVES



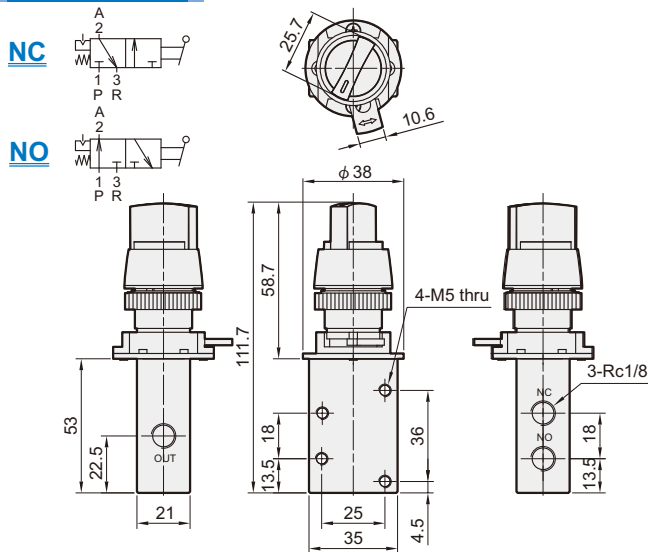
### 3EB-22



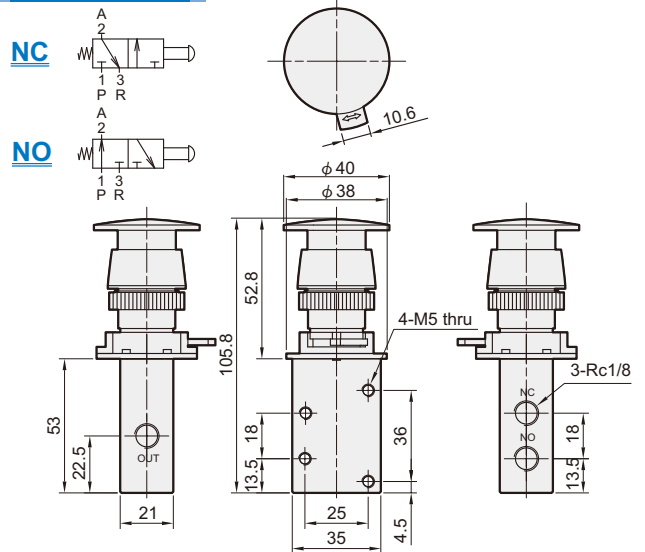
### 3LB-22



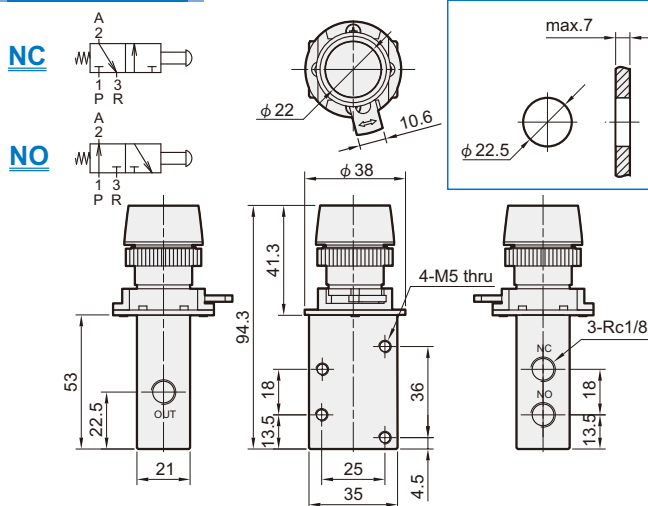
### 3TB-22



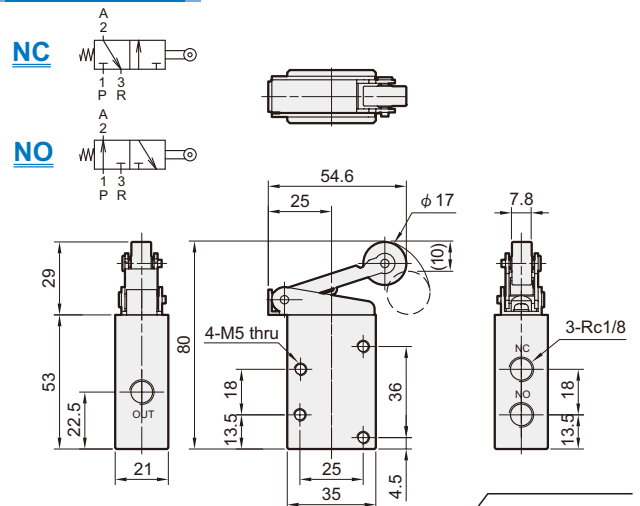
### 3PB-22



### 3PP-22



### 3R1

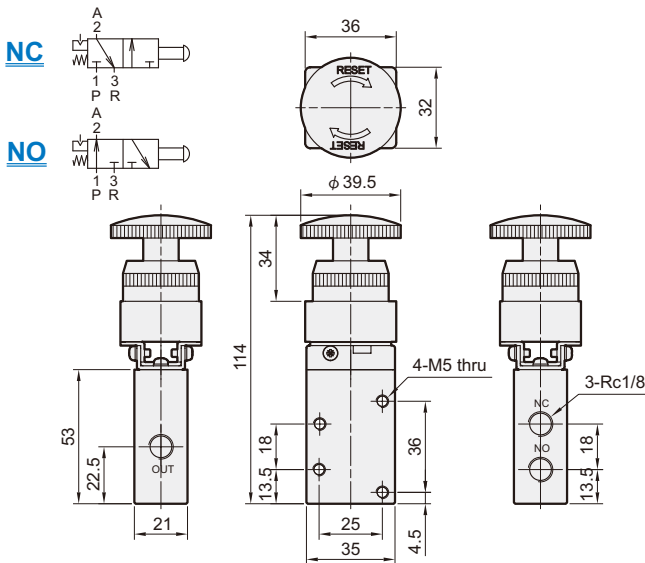


# MVMC-210 Dimensions

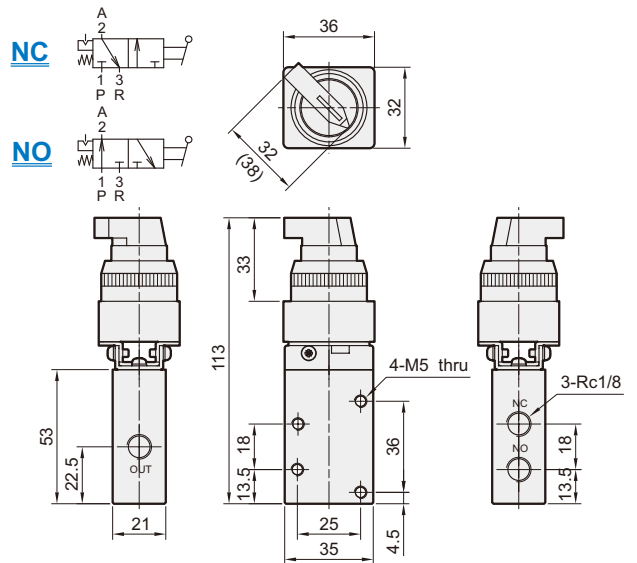
## MECHANICAL VALVES



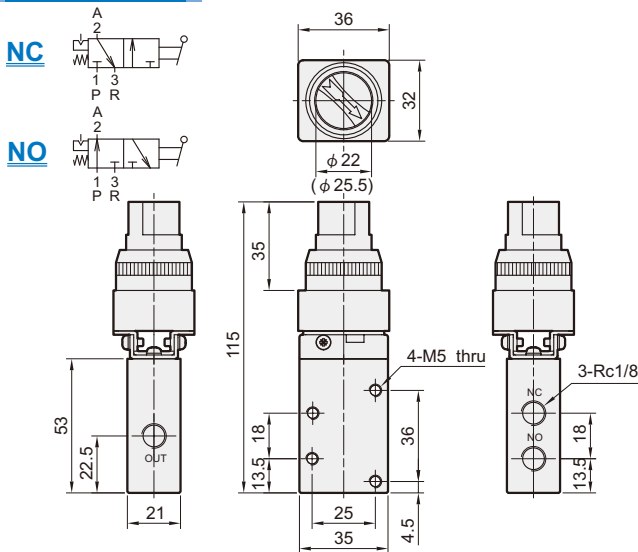
### 3EB-25/30



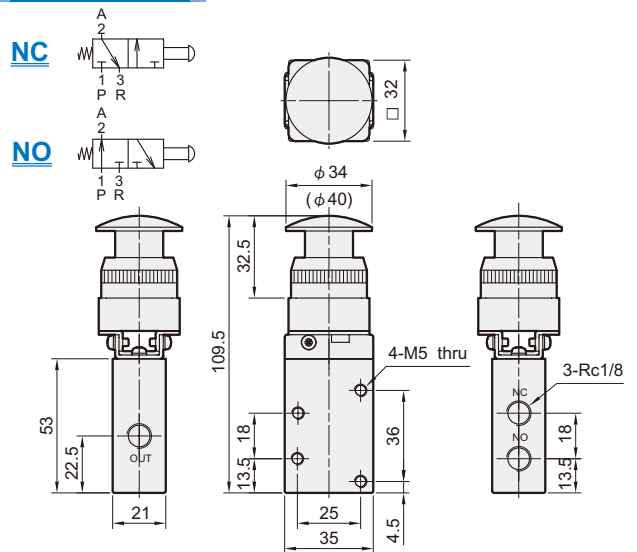
### 3LB-25/30



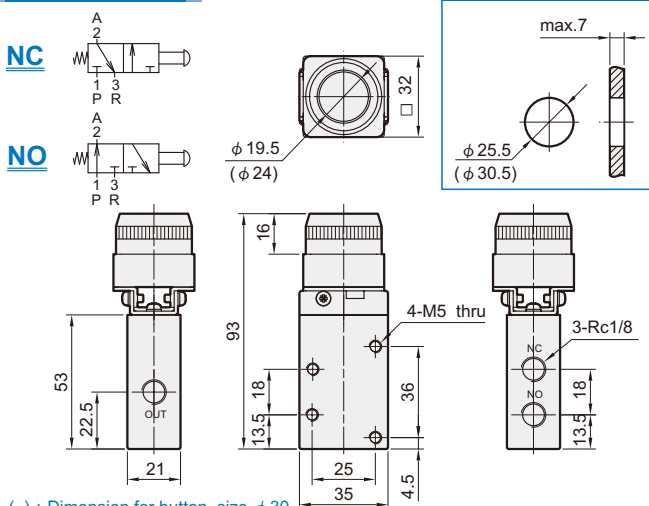
### 3TB-25/30



### 3PB-25/30



### 3PP-25/30



### 3R1

