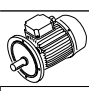
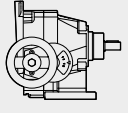
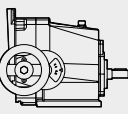
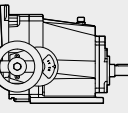


DATI TECNICI / TECHNICAL DATA

VAR 5 / ...											
				n _{2MIN} min ⁻¹	n _{2LIM} min ⁻¹	n _{2MAX} min ⁻¹	M _{2MAX} Nm	M _{2LIM} Nm	M _{2MIN} Nm	F _{R2} N	DESIGNAZIONE 1) DESIGNATION
	P ₁ kW	n ₁ min ⁻¹	n° poli n° poles								
 VAR 5/0	0.18	900	6	225	298	1125	6.39	6.39	1.42	618	VAR050-350:1750-018-6
	0.25	900	6	225	415	1125	6.39	6.39	1.98	552	VAR050-350:1750-025-6
	0.25	1400	4	350	474	1750	5.59	5.59	1.27	465	VAR050-350:1750-025-4
	0.37	1400	4	350	702	1750	5.59	5.59	1.89	480	VAR050-350:1750-037-4
	0.37	2800	2	700	864	3500	4.54	4.54	0.94	390	VAR050-350:1750-037-2
	0.55	2800	2	700	1284	3500	4.54	4.54	1.40	390	VAR050-350:1750-055-2
 VAR 5/1	0.18	900	6	25	34	125	55.87	55.87	12.47	1245	VAR051-40:200-018-6
	0.25	900	6	25	47	125	55.87	55.87	17.34	1065	VAR051-40:200-025-6
	0.25	1400	4	40	54	200	48.94	48.94	11.15	1059	VAR051-40:200-025-4
	0.37	1400	4	40	80	200	48.94	48.94	16.50	870	VAR051-40:200-037-4
	0.37	2800	2	80	98	400	39.75	39.75	8.25	864	VAR051-40:200-037-2
	0.55	2800	2	80	147	400	39.75	39.75	12.26	711	VAR051-40:200-055-2
	0.18	900	6	48	65	240	29.19	29.19	6.52	1140	VAR051-75:375-018-6
	0.25	900	6	48	90	240	29.19	29.19	9.06	990	VAR051-75:375-025-6
	0.25	1400	4	75	103	375	25.57	25.57	5.83	966	VAR051-75:375-025-4
	0.37	1400	4	75	153	375	25.57	25.57	8.62	825	VAR051-75:375-037-4
	0.37	2800	2	150	189	750	20.77	20.77	4.31	789	VAR051-75:375-037-2
	0.55	2800	2	150	281	750	20.77	20.77	6.41	663	VAR051-75:375-055-2
	0.18	900	6	65	83	325	22.91	22.91	5.12	1065	VAR051-100:500-018-6
	0.25	900	6	65	115	325	22.91	22.91	7.11	933	VAR051-100:500-025-6
	0.25	1400	4	100	132	500	20.07	20.07	4.57	909	VAR051-100:500-025-4
	0.37	1400	4	100	195	500	20.07	20.07	6.77	780	VAR051-100:500-037-4
	0.37	2800	2	200	240	1000	16.30	16.30	3.38	753	VAR051-100:500-037-2
	0.55	2800	2	200	358	1000	16.30	16.30	5.03	636	VAR051-100:500-055-2
 VAR 5/2	0.18	900	6	5	-	25	131.4	-	65.00	2685	VAR052-7.5:37.5-018-6
	0.25	900	4	5	-	25	131.4	-	90.37	2550	VAR052-7.5:37.5-025-6
	0.25	1400	4	7.5	-	37.5	131.4	-	58.09	2248	VAR052-7.5:37.5-025-4
	0.37	1400	4	7.5	-	37.5	131.4	-	85.98	2110	VAR052-7.5:37.5-037-4
	0.37	2800	2	15	-	75	131.4	-	42.99	1659	VAR052-7.5:37.5-037-2
	0.55	2800	2	15	-	75	131.4	-	63.90	1548	VAR052-7.5:37.5-055-2
	0.18	900	6	6.5	-	32.5	131.40	-	50.50	2403	VAR052-10:50-018-6
	0.25	900	6	6.5	-	32.5	131.40	-	70.17	2295	VAR052-10:50-025-6
	0.25	1400	4	10	-	50	131.40	-	45.11	1985	VAR052-10:50-025-4
	0.37	1400	4	10	-	50	131.40	-	66.76	1860	VAR052-10:50-037-4
	0.37	2800	2	20	-	100	131.40	-	33.38	1432	VAR052-10:50-037-2
	0.55	2800	2	20	-	100	131.40	-	49.62	1400	VAR052-10:50-055-2
	0.18	900	6	13	17	65	113.11	113.11	25.26	1870	VAR052-20:100-018-6
	0.25	900	6	13	23	65	113.11	113.11	35.11	1575	VAR052-20:100-025-6
	0.25	1400	4	20	26	100	99.07	99.07	22.57	1620	VAR052-20:100-025-4
	0.37	1400	4	20	39	100	99.07	99.07	33.41	1275	VAR052-20:100-037-4
	0.37	2800	2	40	49	200	80.47	80.47	16.70	1305	VAR052-20:100-037-2
	0.55	2800	2	40	73	200	80.47	80.47	24.83	1030	VAR052-20:100-055-2

1) ESEMPIO DI DESIGNAZIONE COMPLETO / COMPLETE EXAMPLE OF DESIGNATION

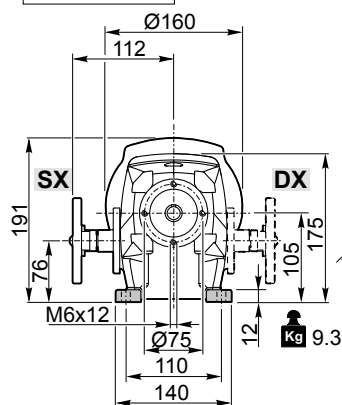
6

VAR 05 0 - B5 - 14 - 160 - 350 : 1750 - 025 - 4 - IEC 71B5

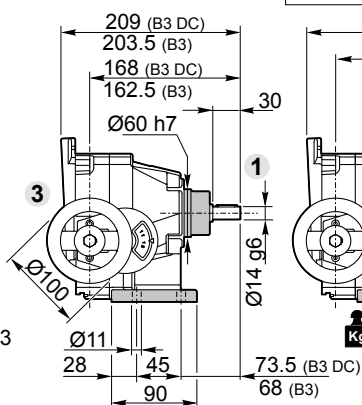
DIMENSIONI / DIMENSIONS

VAR 5 / 0 B3 DC

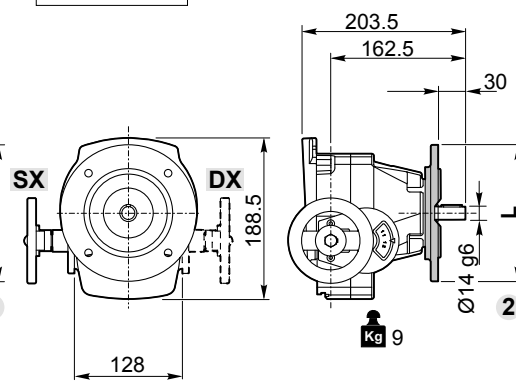
VAR 5 / 0 B3



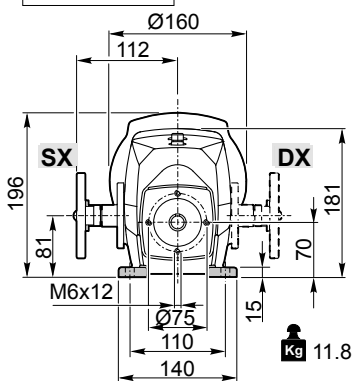
VAR 5 / 0 B3+B5



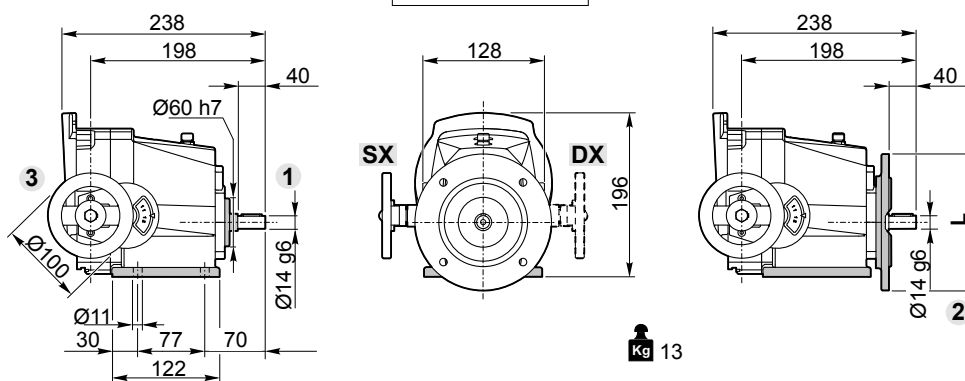
VAR 5 / 0 B5



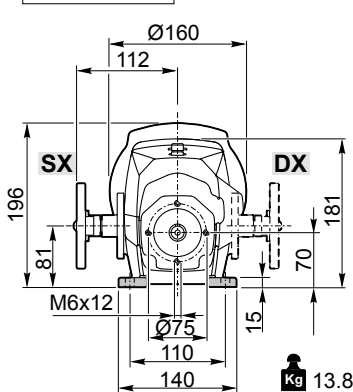
VAR 5 / 1 B3



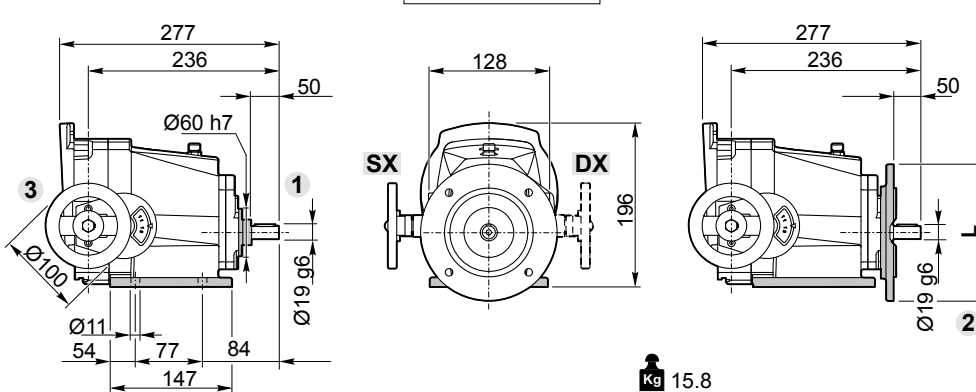
VAR 5 / 1 B3+B5



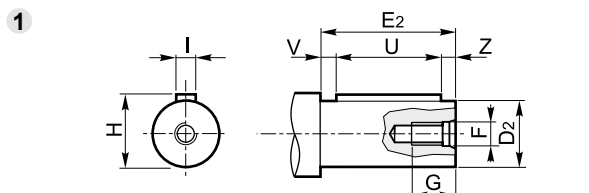
VAR 5 / 2 B3



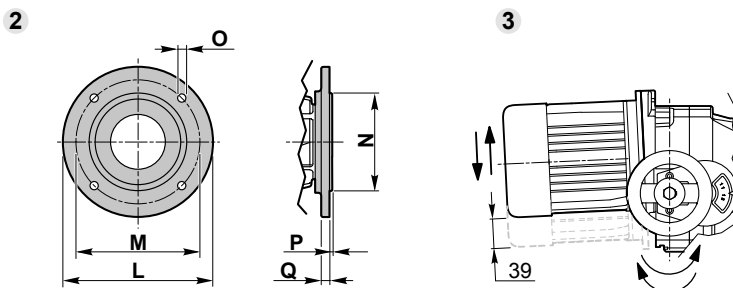
VAR 5 / 2 B3+B5



ALBERO USCITA / OUTPUT SHAFT



FLANGIA USCITA / OUTPUT FLANGE



VAR	TIPO TYPE	D ₂ g6	E ₂	F	G	H	I	U	V	Z
5/0	B3+B5 B5	11	33	M5	12	12.5	4	20	6	7
		14	40	M5	12	16	5	25	8	7
	B3 DC	11	30	M5	12	12.5	4	20	5	5
		14	30	M5	12	16	5	20	5	5
5/1	B3+B5 B3	14	40	M5	12	16	5	25	8	7
		19	50	M6	16	21.5	6	40	5	5
5/2	B3+B5 B3	19	50	M6	16	21.5	6	40	5	5

VAR	TIPO TYPE	L	M	N h8	O	P	Q
5/0	B5	120	100	80	7	2.5	10
		140	115	95	9	3	10
5/1	B3+B5	160	130	110	11	3	10
		200	165	130	11	3	10

Arichiesta / On request