

Series MP20, MP21 / Conductive Plastic Potentiometer

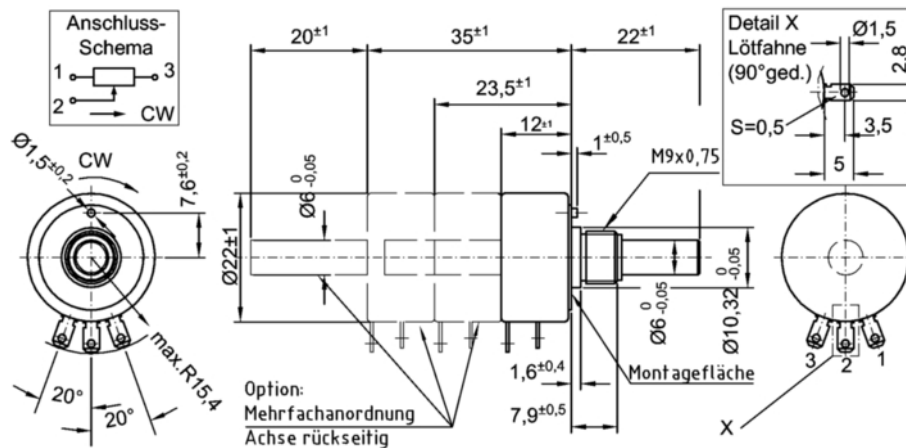
- Housing \varnothing 22 mm
- With or without stop
- Multi ganging up to 10 Pot.
- Rear shaft optional
- Linearity tolerance $\pm 1\%$ ($\pm 0,5\%$)
- Life 10 million revolutions
- Customized adaptations

High precision, with a very long life expectancy and a wide range of options.

Sealed shaft (IP65) and body (IP64) possible. Preference types from stock.



Drawing



Series MP20, MP21 / Conductive Plastic Potentiometer

Electrical Data

Electrical rotation angle	320° ± 5°
Resistance values	0,5 .. 100 kOhm
Resistance tolerances	± 15% (± 10%)
Linearity tolerance, independent	± 1% (± 0,5%)
Power rating at +70°C (0W at 105°C)	1 W
Wiper current	max. 10 µA / recomm. < 2 µA
Insulation	∞ MOhm at 500 VDC
Dielectric strength	500 VAC (1 min)

Mechanical Data	MP20	MP21
Mechanical rotation angle	360° without stop	360° with stop
Rotational speed	400 rpm max.	
Life (n x 90% elec. angle)	10 x 10 ⁶ rev.	
Starting torque	< 0,5 Ncm	
Stopper strength	--	< 60 Ncm
Fastening torque mounting nut	< 150 Ncm max.	

Other Data

Protection class	Standard IP40 / Optional IP65
Operating temperature	-55 .. +105° C
Bearing	sleeve bearing
Housing Material	Nylon
Shaft Material	stainless steel
Connection	gold-plated solder lugs (for receptacle like AMP Faston 110 Part-No. 42236-1)
Mounting parts	hex-nut, tooth washer (included in delivery)
Weight	20 g

Series MP20, MP21 / Conductive Plastic Potentiometer

Order code

Description	Options
Without Stop	MP 20
With Stop	MP 21
Res [Ohm]	R500 (*) R1K R2K (*) R5K R10K R20K (*) R50K (*) R100K (*)
Rear shaft, length [mm] (*)	RA.. (*)
Special diameter of the rear shaft [mm] (*)	RADM (*)
Resistance tolerance	W15% W10% (*)
Independent linearity [± %]	L1% L0,5% (*)
Center tap (voltage type) (*)	CT (*)
Special shaft length [mm] (*)	A.. (*)
Special shaft diameter [mm] (*)	DM (*)
Screwdriver slot (*)	B (*)
Sealing ring in the bushing (*)	D (*)

short-term stock types can be found on: <http://www.megatron.de/en/stocklists/linear-sensors/lagerliste.html>

bold print = standard option

(*) = on request available for projects

For higher quantities or on-going demand, additional options are available as described below

For example:

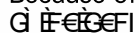
- Other resistance values
- Mounting of cables and connectors
- Multi ganged versions for redundancy
- Special shaft design

For technical advice, projects, samples, questions about pricing, delivery times and availability please contact us

Tel.: +49 89 46094-500

export@megatron.de

The specifications and information in this datasheet cannot consider all special demands that are caused by the application. Because of this, they are no general description of the properties of the product.

 All specifications are subject to change without notice.