

83106 Standard 831060 Part number 83106022



- Double break switching
- Options for operation in stable positions
- Choice of actuators and fixing positions

Part numbers

	Type	Function	Connections
83106022	Standard 831060	I (changeover)	W3

Specifications

Electrical characteristics

Rating nominal / 250 VAC (A)	5
Rating thermal / 250 VAC (A)	17,5

Mechanical characteristics

Maximum operating force (N)	4
Min. Release force (N)	1
Operating position (mm)	11,45 ±0,2 -0,25
Min. overtravel (mm)	0,7
Mechanical life (operations)	10 ⁷
Max. permitted overtravel force (N)	20
Maximum rest position (mm)	12,75
Differential travel (mm)	0,5±0,2
Ambient operating temperature (°C)	-40 →+85
Contact gap (mm)	0,4 x 2
Weight (g)	8

Additional specifications

Components

Material

- Case : polyamide UL94V2 (83 106)
- Contacts : nickel silver

Levers

- Mild steel (zinc)
- Roller : polyamide
- Adjusting screws : self-retaining
- Plates : iridescent passivated mild steel (zinc)

NB : Fixing holes for these microswitches have metal ferrules.

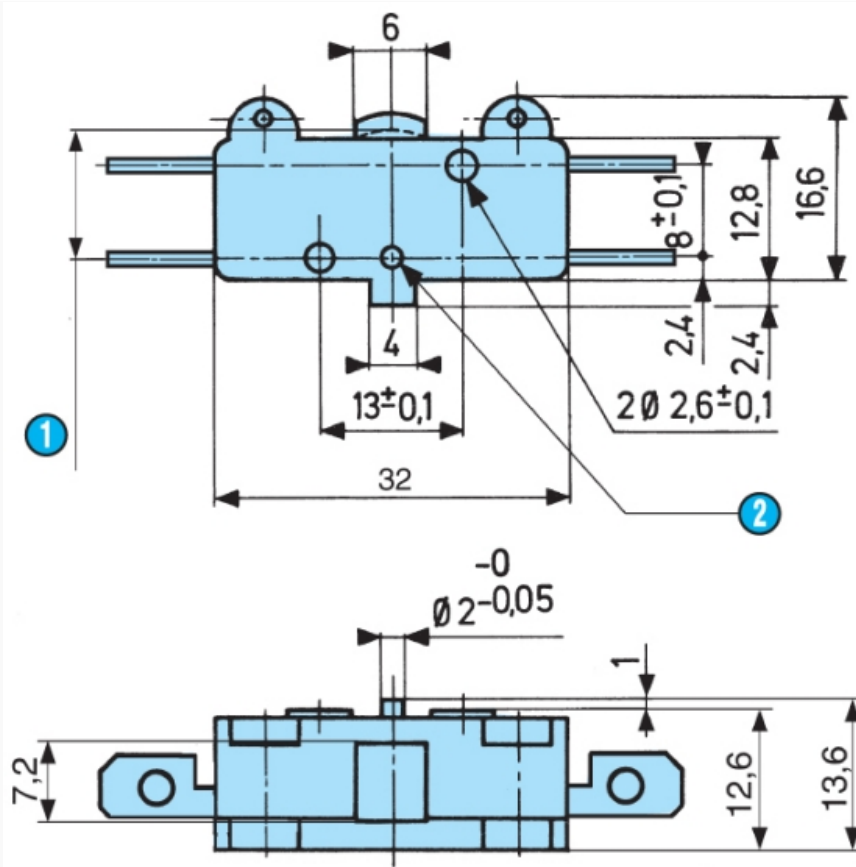
Principles



Dimensions (mm)

Product

83 106

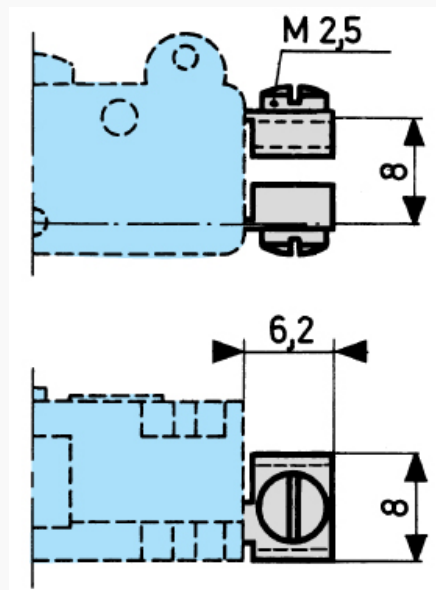


N°	Legend
1	OL = 10.65
2	$\varnothing 2^{+0.01+0.65}$ Depth 1,2

Dimensions (mm)

Connections

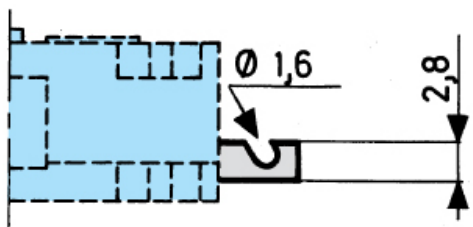
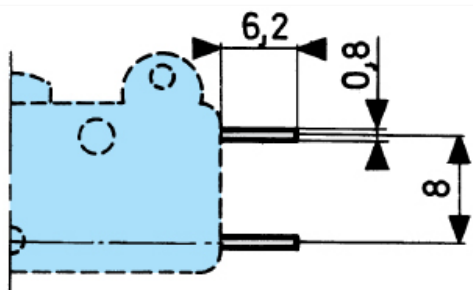
W1 screw



Dimensions (mm)

Connections

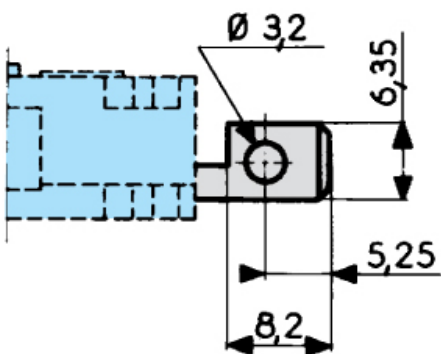
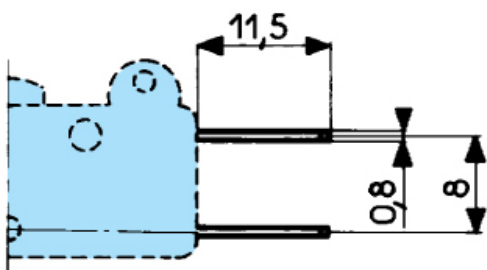
W2 solder



Dimensions (mm)

Connections

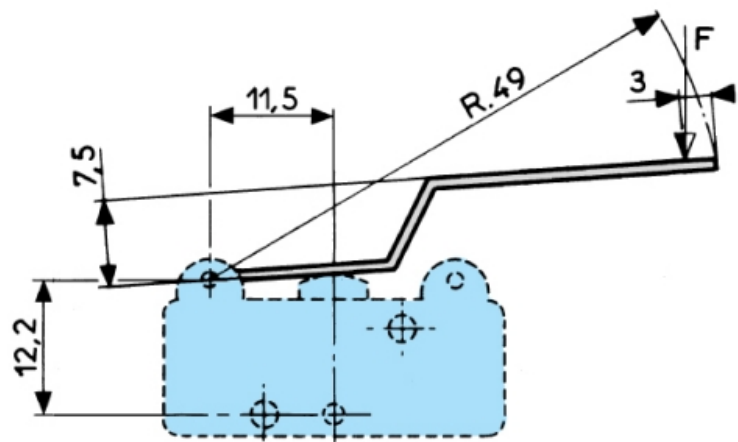
W3 for 6.35 mm clips



Dimensions (mm)

Actuators

A

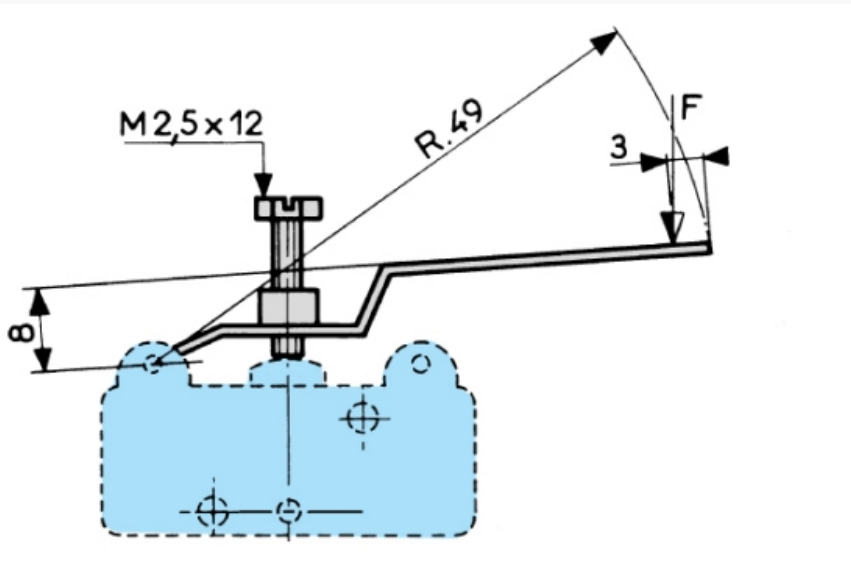


Lever cross-section 1 x 6.4 mm

Dimensions (mm)

Actuators

B

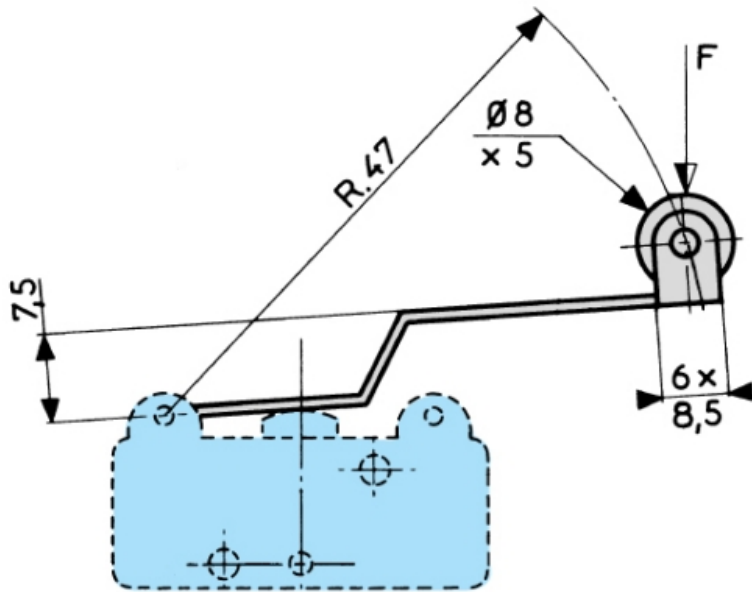


Lever cross-section 1 x 6.4 mm

Dimensions (mm)

Actuators

E

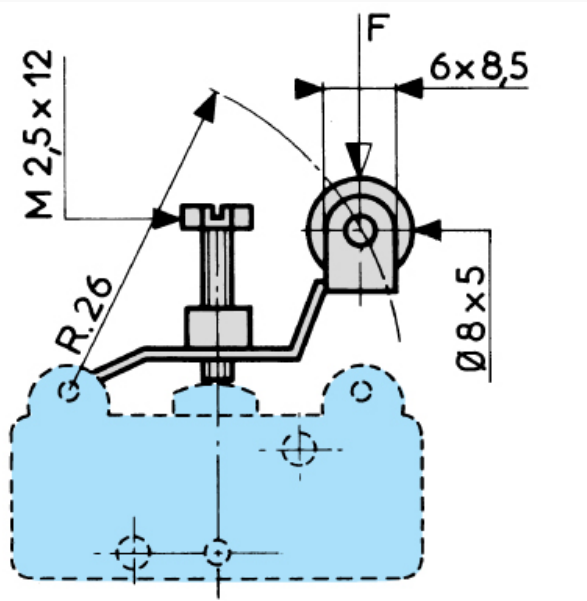


Lever cross-section 1 x 6.4 mm

Dimensions (mm)

Actuators

□

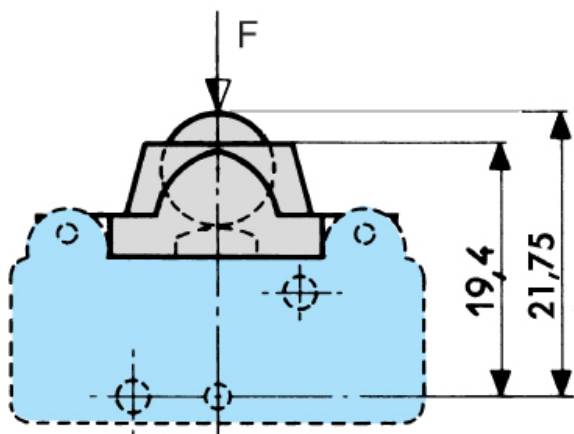


Lever cross-section 1 x 6.4 mm

Dimensions (mm)

Actuators

B9

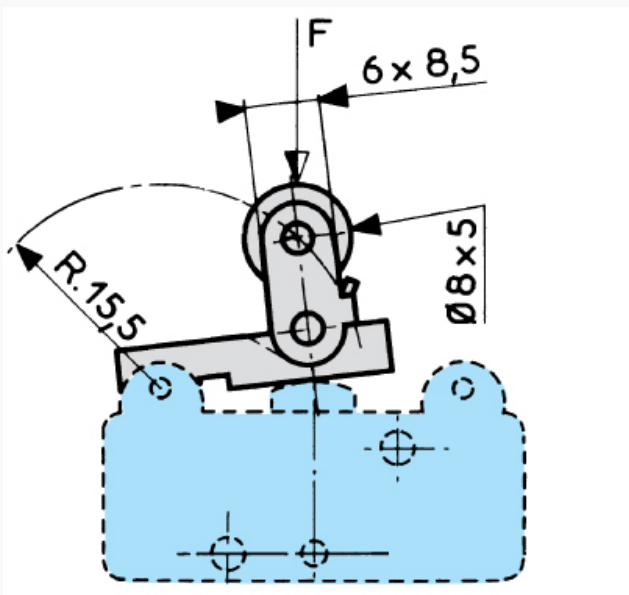


Lever cross-section 1 x 6.4 mm

Dimensions (mm)

Actuators

v3



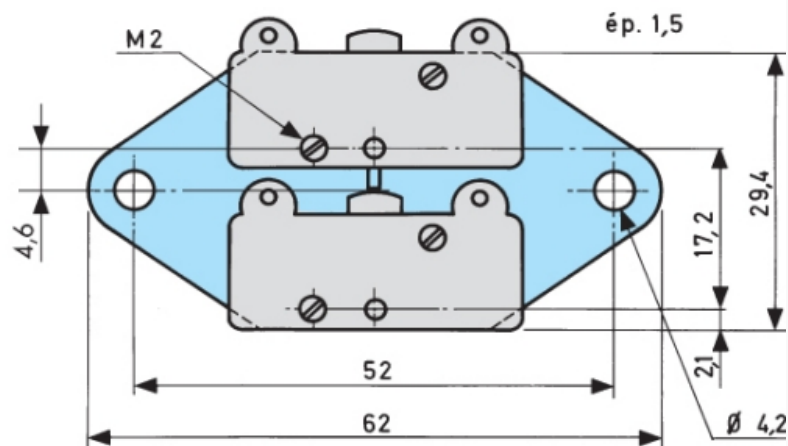
Lever cross-section 1 x 6.4 mm

Dimensions (mm)

Mounting accessories

O2

2-pole side mounting plate

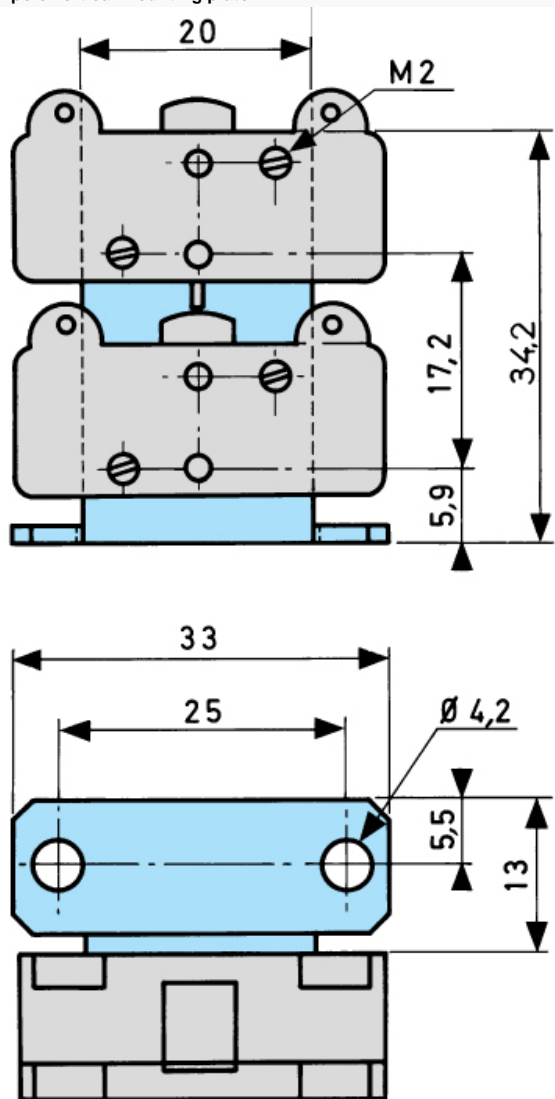


Lever cross-section 1 x 6.4 mm

Dimensions (mm)

Mounting accessories

K2
2-pole vertical mounting plate

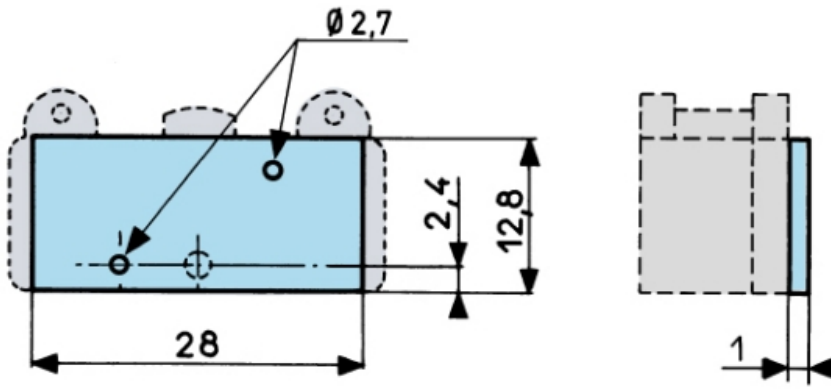


Lever cross-section 1 x 6.4 mm

Dimensions (mm)

Mounting accessories

Y
Side plate

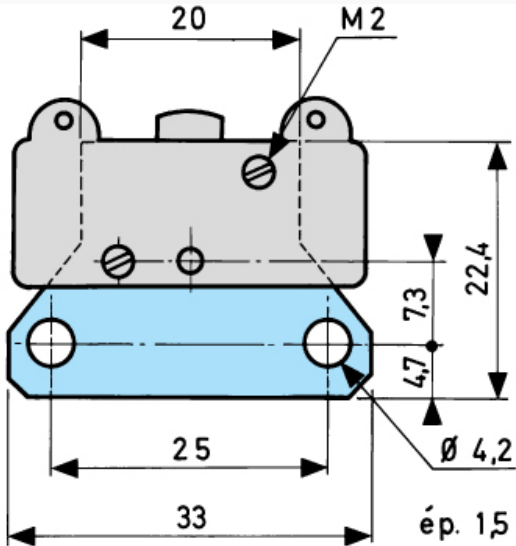


Lever cross-section 1 x 6.4 mm

Dimensions (mm)

Mounting accessories

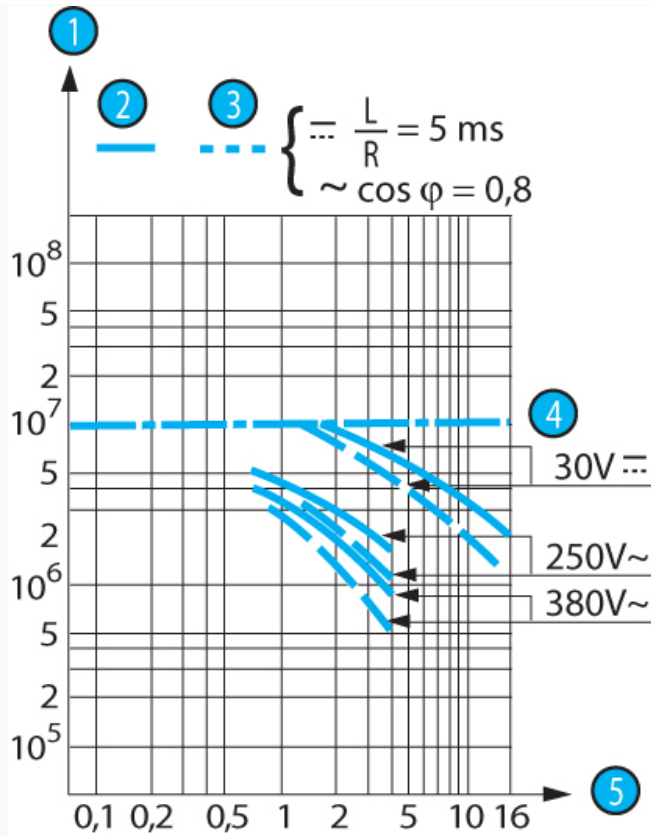
H
Horizontal single-pole mounting plate



Unless indicated, the thickness of plates is 1.5 mm

Curves

Operating curve for types 83 106 0 / 4 / 7



N°	Legend
1	Number of cycles
2	Resistive circuit
3	Inductive circuit
4	Mechanical life limit
5	Current in Amps

Connections

Actuators and fixing positions

Actuators and fixing positions						
Actuators	A R49	B R47	E R47	Q	V3 R15.5	B9
Operating force - max.	N 1.2	1.2	1.2	2.8	4	4
Release force - min.	N 0.25	0.25	0.2	0.45	0.8	1
Pre-travel - max.	mm 6.2	6.2	6.2	3.2	1.45	1.5
Differential travel	mm 2,1 ±0,3	2,1 ±0,3	2,1 ±0,3	1,05 ±0,4	0,5 ±0,2	0,5 ±0,2
Total travel max.	mm 7,5	8,4	7,5	4,5	1,9	1,9

Except where otherwise indicated, the flat and roller levers are mounted as shown in the dimensional drawings (mounted on the left).

Mounting accessories

Y Side plate	H Horizontal single-pole mounting plate	Q2 2-pole side mounting plate	K2 2-pole vertical mounting plate

Other information

Mounting - Operation

See basic technical concepts

Product adaptations



- Special levers
- Reinforced spring
- Special contacts
- Approvals : UL - cUL