

Figure 9 Dimensions of EMS-VVX 2 motor

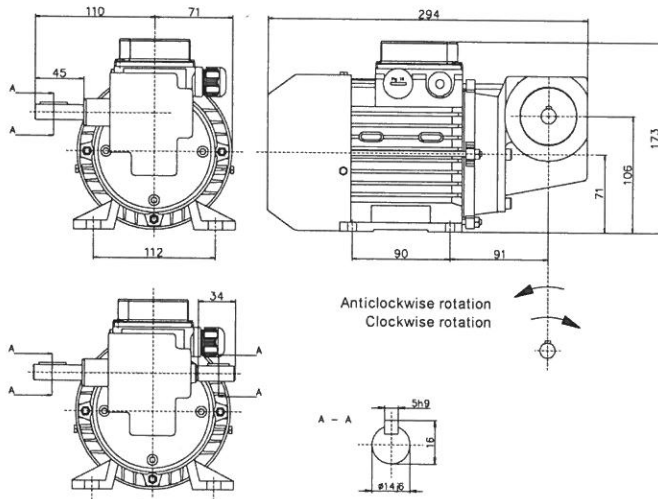


Figure 10 Dimensions of EMS-VVX 4 motor, with one and two shafts.

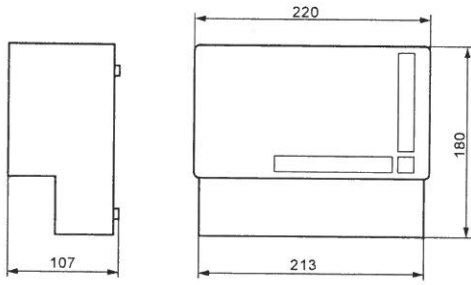


Figure 11 Dimensions of control unit 2N, 2N/ET, 4N and 4N/ET