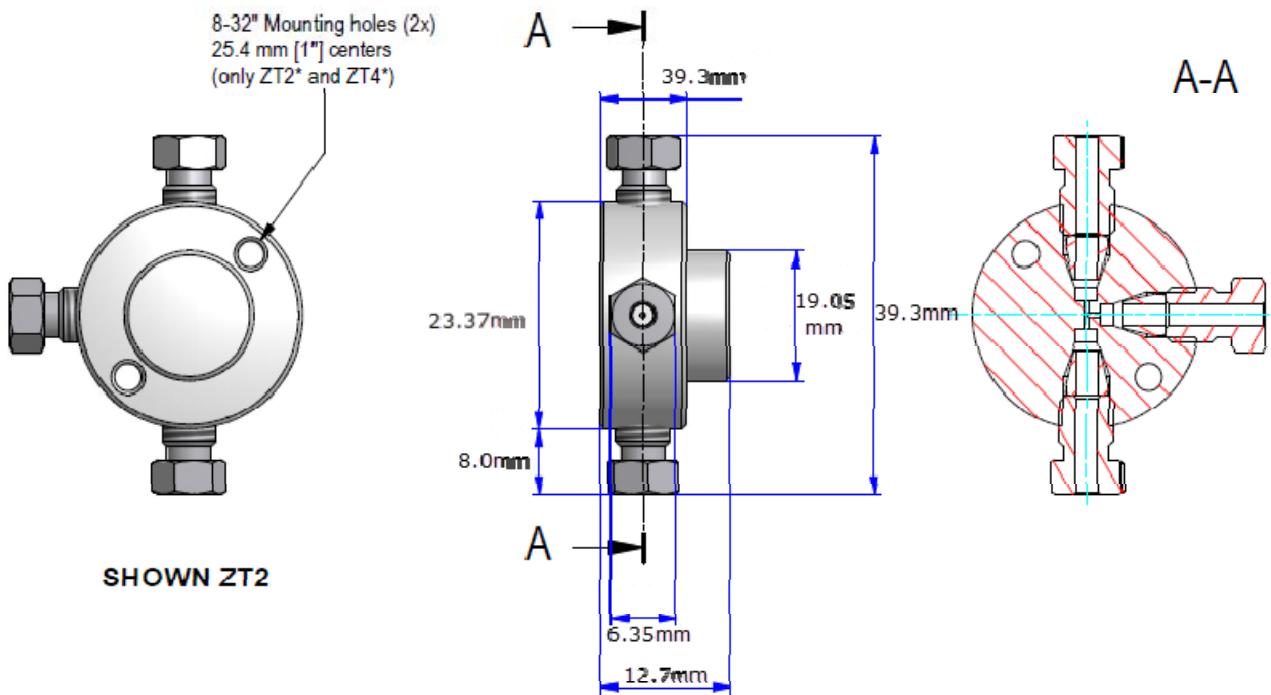


## Data Sheet

### ZT1



Material (body):	Nitronic 60	UNS: S 21800
Material (nuts):	SS303	UNS: S 30300
Material (ferrules):	SS316	UNS: S 31600

Fitting size: 1/16"

Weight: ca. 42g