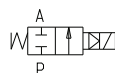
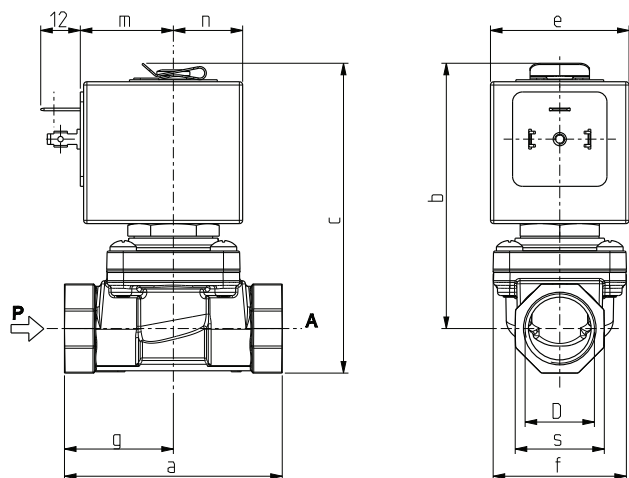


# ASCO™ SOLENOID VALVE

2/2 NORMALLY CLOSED – PILOT OPERATED HUNG DIAPHRAGM - G 1/2 – 3/4 - 1

**SERIES**  
**L153**



	D	a	b	c	e	f	m	n	s	g
<b>D07</b>	G 1/2	66	80,5	94	42	41	28	21	27	-
	G 3/4	79	85,5	102,5	42	51	28	21	33	-
<b>D5</b>	G 1	105	106	127	48,6	71	35	24,3	42	46
<b>D10</b>	G 1/2	66	82	95	42	41	28	21	27	-
	G 3/4	79	87	104	42	51	28	21	33	-

## General Features

Pilot operated hung diaphragm solenoid valve, with full orifice.

Suitable to shut off liquid and gaseous fluids; particularly suitable to shut off overheated water and steam (verify the compatibility of fluid with materials in contact).

Technical Features	
Maximum allowable pressure (PS)	16 bar
Opening time	from ~100ms to ~150ms
Closing time	from ~100ms to ~400ms
Fluid temperature	-10°C +140°C
Max viscosity	5°E (~37 cStokes or mm²/s)

Materials in Contact with Fluid	
Body	Brass
Sealing	EPDM
Diaphragm	PTFE
Internal components	Stainless steel
Seat	Stainless steel
Core tube	Stainless steel
Shading coil	Copper

Coil	
Continuous duty	ED 100%
Encapsulation material	<b>Z1:</b> PET (Polyethylene terephthalate) fiberglass reinforced <b>Z9:</b> PPS (Polyphenylsulfure) fiberglass reinforced
Insulation class	H (165°C) – UL (Z134A)
Ambient temperature	-10°C +80°C
Electric connections	DIN 46340 - 3 poles connectors (EN175301-803)
Protection degree	IP 65 (EN 60529) with plug connector
Voltages	AC 24V/50Hz - 110V/50Hz (120V/60Hz) 230V/50Hz (+10% -15%) (Other voltages and frequencies on request)

Port size ISO 228	Orifice size (mm)	Differential pressure (bar)				Kv (m³/h)	Series and type		Power absorption			Sealings	Notes	Weight (kg)
		Δp min	Δp max		Valve		Coil	AC (VA)		DC (W)				
			Gases	Liquids				Inrush	Holding					
G1/2	11,5	0	8	-	6	-	<b>L153D07</b>	<b>Z134A</b>	44	24	-	EPDM	1-2-3	0,660
G3/4	17													0,870
G1	22						<b>L153D5</b>	<b>Z923A</b>	50	27				1,665
G1/2	11,5													0,660
G3/4	17	<b>L153D10</b>	<b>Z134A</b>	44	24	0,870								

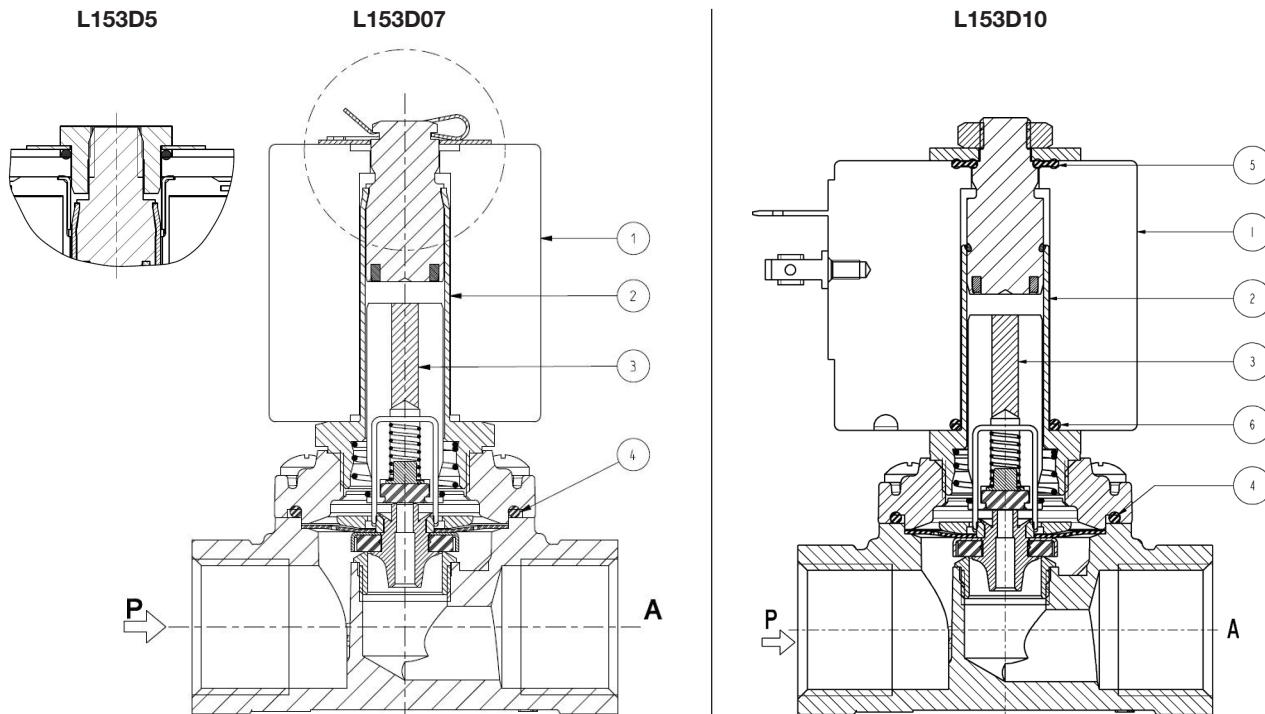
## Notes

- Sealings : EPDM = Ethylene-propylene elastomer
- 1 - Only for use with steam, consider following values: max pressure 3 bar (max temperature of fluid 140°C).
- 2 - The valves can operate in vacuum conditions at 0 bar absolute downstream.
- 3 - On request Z130A coil encapsulated in PET (Polyethylene terephthalate) in class "F" (+140°C): maximum fluid temperature +100°C, maximum ambient temperature +60°C.
- 4 - Model available on request only: ask for minimum quantity. Coils fitted with sealing gaskets underneath and on the upper part (see sectional view on the back).  
Particularly suitable to be used in places with high percentage of humidity.

**SERIES**  
**L153**

**ASCO™ SOLENOID VALVE**  
2/2 NORMALLY CLOSED – PILOT OPERATED HUNG DIAPHRAGM - G 1/2 – 3/4 - 1

**Spare Parts**



Kit description	Model	Port Size	Kit P.N.	Consisting of:
Diaphragm core kit	L153D07-D10	G1/2	G3084101	Core and sealing disc kit pos.3 OR guide assembly pos. 4
		G3/4	G3084201	
	L153D5	G1	G2836601	
Guide assembly	L153D07	G1/2 – G3/4	3078101R	Guide assembly pos. 2
	L153D510	G1/2-G3/4	297456-001R	
	L153D5	G1	2834901R	
Kit gasket for coil	L153D10		G3067302	N.10 gaskets pos.5
Kit OR for coil	L153D10		GU2428000015	N.10 OR for coil pos.6
Coil	L153D07-D10		Z134A	Coil pos. 1
	L153D5		Z923A	

**Installation**

- Solenoid valve can be mounted in any position; vertical with coil upwards preferred.
- In case of disassembly for usual maintenance, the coil fixing nut (L153D5 – L153D10) has to be tightened with 5÷6 Nm torque.

THE VALIDITY OF REPORTED DATA IS REFERRED TO THE DATE OF ISSUE. POSSIBLE UPDATES ARE AVAILABLE ON REQUEST