









U.I. Lapp GmbH	PRODUCT INFORMATION	
	SKINTOP® MS-M	05.11.2015

SKINTOP® MS-M, brass cable gland for cable diameters up to 98mm, in areas where mechanical and chemical stability are critical



-  Good chemical resistance
-  Corrosion-resistant
-  Mechanical resistance
-  Optimum strain relief
-  Acid-resistant
-  Temperature-resistant
-  Variety of approval certifications

Info

SKINTOP® MS-M sizes 75 x 1.5 to 110 x 2 with innovative double lamella gasket for easier assembling of cables with large diameters.

Now with IP69 approval! Proven to withstand the most demanding cleaning procedures for industrial machinery with high-pressure cleaners and hot water!

Application range

In areas where mechanical and chemical stability are critical

- Chemical industry
- Measurement and control technology
- Machine and equipment manufacturing
- Plant engineering


Benefits

- Maximum reliability
- Optimum strain relief
- Wide, variable clamping ranges
- For cable diameters up to 98 mm

Product Make-up

- Metric connection thread acc. to DIN EN 60423
- Basis for technical information EN 50262

Product Management	Document: LAPP_PRO987EN.pdf	1 / 4
--------------------	-----------------------------	-------

U.I. Lapp GmbH	PRODUCT INFORMATION	
	SKINTOP® MS-M	05.11.2015

Norm references / Approvals

UL File Nr. E79903

Note

Counter nut to be used: SKINDICHT® SM-M
Refer to SKINTOP® metric accessories for suitable accessories

Remark


Photographs are not to scale and do not represent detailed images of the respective products.

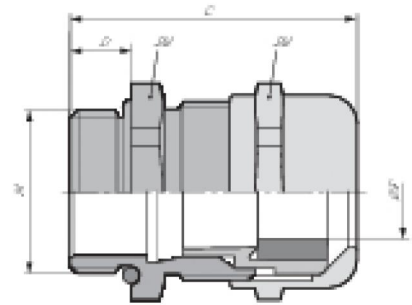
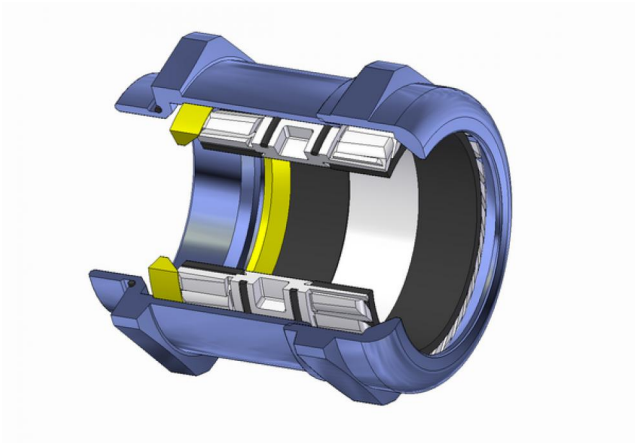
Technical Data

Caution:	Refer to Appendix T21 for the installation dimensions and torques
Certifications:	IP 69 approval from size M75 x 1.5 pending. UL, CSA, DNV and VDE approval for sizes M90 x 2 to M110 x 2 pending.
Classification:	ETIM 5.0 Class-ID: EC000441 ETIM 5.0 Class-Description: Cable screw gland
Material:	Body: nickel-plated brass Insert: polyamide Sealing ring: CR O-ring: NBR
Protection rating:	IP 68 IP 69 (M12 - M63)
Temperature range:	dynamic -25°C up to + 100°C Fixed: -40°C to +100°C

Product Management	Document: LAPP_PRO987EN.pdf	2 / 4
--------------------	-----------------------------	-------

Part number	Article designation / size	Clamping range ØF (mm)	SW wrench size mm	Overall length/ C (mm)	Thread length/ D (mm)	Pieces / PU
SKINTOP® MS-M/SKINTOP® MSR-M						
53112000	12 x 1,5	3-7	16	26,5	6.5	100
53112010	16 x 1,5	4,5-10	20	32.0	7.0	100
53112020	20 x 1,5	7-13	24	35,5	8.0	50
53112030	25 x 1,5	9-17	29	37,5	8.0	25
53112040	32 x 1,5	11-21	36	42,2	9.0	25
53112050	40 x 1,5	19-28	45	49,5	9.0	10
53112060	50 x 1,5	27-35	54	52.0	10.0	5
53112070	63 x 1,5	34-45	67	61,3	15.0	5
53112080	63 x 1,5 plus	44-55	75	65,5	15.0	5
53112510	75 x 1,5	58-68	95	105.0	15.0	1
53112512	90 x 2	66-78	115	136.0	20.0	1
53112514	110 x 2	86-98	135	154.0	25.0	1

U.I. Lapp GmbH	PRODUCT INFORMATION	
	SKINTOP® MS-M	05.11.2015



Product Management	Document: LAPP_PRO987EN.pdf	4 / 4
--------------------	-----------------------------	-------