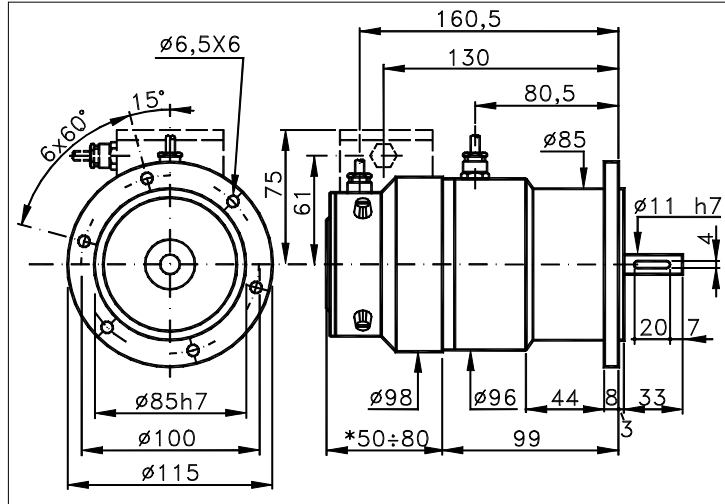


115T

Sized draw standard version: CV R Measures without tolerance according to UNI ISO 2768-mk



* DEPENDING ON THE MOUNTED TACHO GENERATOR.

TECHNICAL FEATURES AND POSSIBLE CONFIGURATIONS

- | | |
|---|--|
| - Base.....: ANODIZED ALUMINIUM (*) | - Ball bearings life...: 1,5 x 10 ⁹ revolutions |
| - Cover.....: ANODIZED ALUMINIUM (*) | - Impact resistance....: 50 G x 11ms |
| - Weight.....: 1700 g | - Vibration resistance..: 12 G (10 ÷ 2000 Hz) |
| - Shaft.....: ø 11 STAINLESS STEEL (*) | - Power supply.....: 5÷30V (see page 2) |
| - Max.rad/axial load.: 18 kg | - Operating temperature: 0 ÷ 70 °C (*) |
| - IP output side.(°): see 'CONNECTION' of page 2 | - Storage temperature...: -30 ÷ 85 °C |
| - IP shaft side.(°):> std. 64 sealed 66 low torq. - | - N° of pulses/rev.....: 1 ÷ 3600 |
| opt. type (page 2):> standard Z | - Max frequency.....: 100 kHz (160 option) |
| - Contin. max RPM(**):> 6000 3000 - | - Max consumptions mA...: std 120 line driver 180 (*) |
| - Starting torque gcm> 350 450 - | - Light source.....: LED with >= 100000 h life |

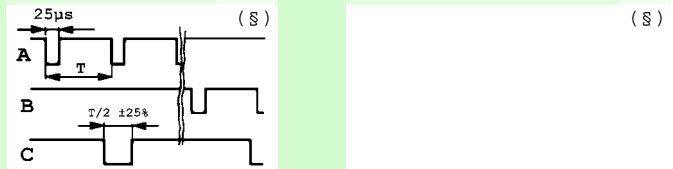
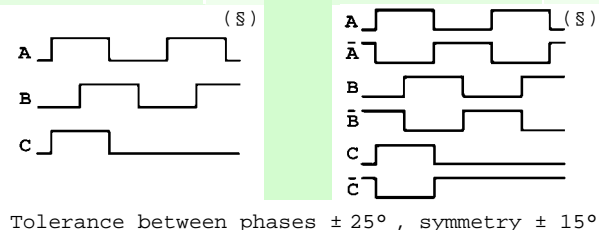
(°) IP according to CEI EN 60529, EN 60529, IEC 529

(*) custom options

(**) intermittent max RPM + 30% of continuous max RPM

ELECTRONICS

CODE	DESCRIPTION	mA	CODE	DESCRIPTION	mA	CODE	DESCRIPTION	mA	CODE	DESCRIPTION	mA
	STANDARD NPN	10	N	DRIVER 26LS31	30	D	DISCRIMINAT.	70			
K	NPN OPEN COLL	10	T	TTL 7404	10						
Q	NPN	70	C	DRIVER 88C30	20						
R	NPN OPEN COLL	70	L	2x PUSH-P.PRO	70						
P	PNP	70	M	2x PUSH-PULL	70						
U	PNP OPEN COLL	70									
B	PUSH-PULL PRO	70									
H	PUSH-PULL	70									



Tolerance between phases ± 25°, symmetry ± 15°

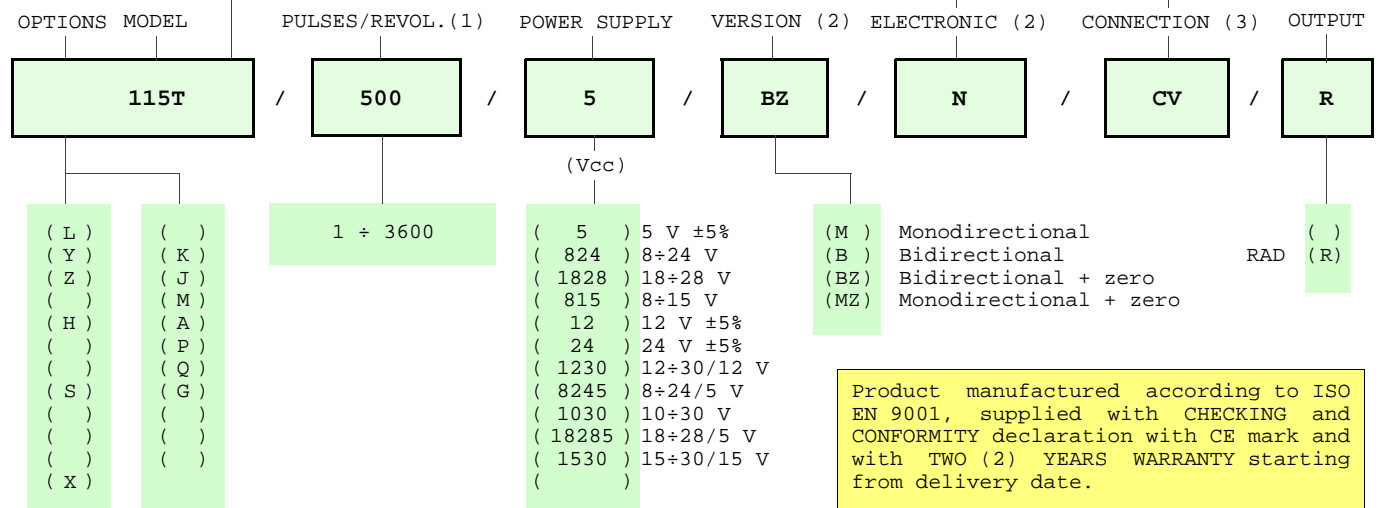
(§) Clock-wise output rotation (see shaft).

	ELCIS s.r.l. Via Rosa Luxembourg 12/14 10093 COLLEGNO (TO) ITALY Phone: +39 011 715577/78 a.r. MAIL: ELCIS s.r.l. P.O.Box 90 10093 COLLEGNO (TO) ITALY	* http://www.elcis.com * e-mail: info@elcis.com * Fax: +39 011 712613
		FEMA ELECTRÓNICA, S.A. Altimira 14 - Pol.Ind.Santiga 08210 Barberà del Vallès - BARCELONA - SPAIN

POSSIBLE OPTIONS				POSSIBLE CONNECTIONS								
CODE	DESCRIPTION	CODE	DESCRIPTION	CABLE				OUTPUT:				
L	Low temperature	K	Invert. phase A,B,Zero.	CV				RAD				
Y	Unbreakable disk	J	Zero logic combination	CONNECTOR				OUTPUT:				
Z	Sealed ball bearing	M	Impregnated electronic	CM	SM	CL	SL	CD	CH	CH5	CI	RAD
H	Different shaft Ø	A	High temperature	CE			C4	CH6				
S	160 KHz frequency	P	Compressed air attack	CABLE END CONNECTOR				OUTPUT:				
X	Custom options	Q	Oil seal	VM	TM	VL	TL	VD	VH	VH5	VI	RAD
		G	Tropicalization	VE	VK	TK	VN	VH6	VM5	VM9	VS	
				TERMINAL BOX				OUTPUT:				
				MS							RAD	



ORDERING INFORMATION

POSSIBLE SHAFT Ø		CABLE	CONNECTOR	CABLE END CONNECTOR
()	() STANDARD NPN	IP65		IP65 encoder output
()	(K) NPN OPEN COLL	(CV) 1 m long	(CM) 7c norm. IP65	(VM) 7c normal
()	(Q) NPN	()	(SM) 7c sealed IP66	(TM) 7c sealed
()	(R) NPN OPEN COLL		(CL) 10c norm. IP65	(VL) 10c normal
()	(P) PNP		(SL) 10c sealed IP66	(TL) 10c sealed
()	(U) PNP OPEN COLL		(CD) 9c sub D IP63	(VD) 9c
(n)	(B) PUSH-PULL PRO		(CH) 12c ccw IP67	(VH) 12c anticlock.
()	(H) PUSH-PULL	TERMINAL BOX	(CH5) 12c cw IP67	(VH5) 12c clock-wise
()	(N) DRIVER 26LS31	IP65	(CI) 12c crimp. IP64	(VI) 12c crimped
()	(T) TTL 7404	(MS) Phoenix	(CE) 5c miniat IP64	(VE) 5c
()	(C) DRIVER 88C30		()	(VK) 17c normal
()	(L) 2x PUSH-P.PRO		(C4) 4c screw IP65	(TK) 17c sealed
()	(M) 2x PUSH-PULL		(CH6) 12c cw IP67	(VN) 12c
()	(D) DISCRIMINAT.		()	(VH6) 12c clock-wise
()	(X) CUSTOM OPTION			(VM5) 26c
()				(VM9) 16c
()				(VS) 12c
()				(VD5) 9c screened



NOTE: FOR 88C30 MAX 15 Vdc

(1) For further information see PULSES/REVOL. data sheet
 (2) For further information see ELECTRONIC data sheet
 (3) For further information see CONNECTION data sheet

	ELCIS s.r.l. Via Rosa Luxembourg 12/14 10093 COLLEGNO (TO) ITALY Phone: +39 011 715577/78 a.r. MAIL: ELCIS s.r.l. P.O.Box 90 10093 COLLEGNO (TO) ITALY	* http://www.elcis.com * e-mail: info@elcis.com * Fax: +39 011 712613
		FEMA ELECTRÓNICA, S.A. Altimira 14 - Pol.Ind.Santiga 08210 Barberà del Vallès - BARCELONA - SPAIN

COPYRIGHT by ELCIS - Collegno (TO)