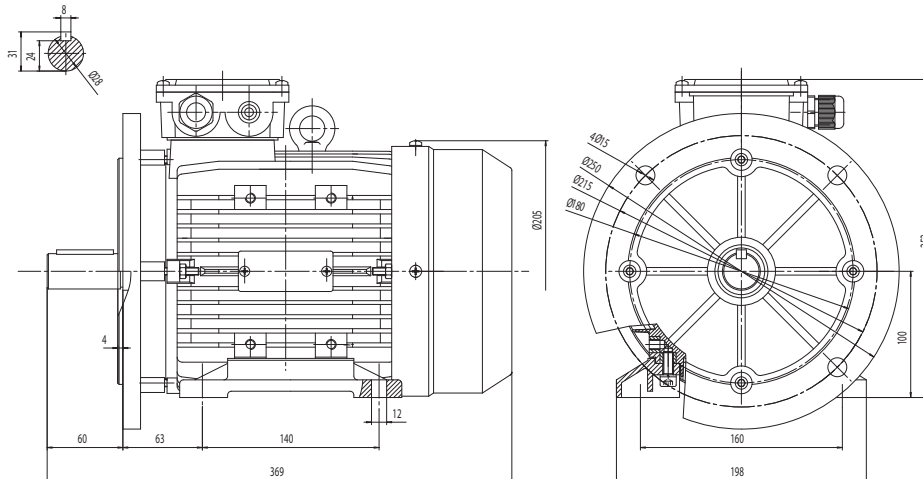


Type MS2 100L2-4

Cod. I1000403,035A5A00MST

Mounting position

IM	B35
IM	2001



Electrical data			
Rated motor power	3		Kw
Rated motor speed	1440		min <sup>-1</sup> 50Hz
	1730		min <sup>-1</sup> 60Hz
Rated motor frequency	50		Hz
Rated motor voltage(+/-10%)	230		VΔ/50Hz
	400		VY/50Hz
	280		VΔ/60Hz
	480		VY/60Hz
Rated motor torque	20.13		Nm (Mn)
	11.31	VΔ/50Hz	A (In)
Rated motor current	6.54	VY/50Hz	A (In)
	7.4		xIn
Starting motor torque	3.4		xMn
Breakdown motor torque	3.6		xMn
Starting			D.O.L.
Efficiency class	IE2		
Efficiency	50Hz	60Hz	
	85.5	-	100% load
	-	-	75% load
	-	-	50% load
Power factor cosφ	0.78	0.78	100% load

General data			
Frame size	100		
Mounting	B35		
Weight	28.5		Kg
Casing material	Aluminum		
Protection	IP	55	
Insulation class/Temperature rise	F	/	B
Tropicalization	Yes		
Vibration class	N		
Duty	S1		
Direction of rotation	Bidirectional		
Method of cooling	IC	411	
Cable entry	2-M20x1,5		
Standards	IEC/DIN/ISO/VDE/EN		
Execute at Standard	IEC 60034-1		
Feet removable	Yes		
Paintwork	RAL	7024	dark grey
Thermal protections	PTC 150°C		Standard

Site conditions	
Ambient temperature	from -20°C to +40°C
Altitude above sea level	1000 m

Mechanical data						
Noise level	LpA	70	dB(A)	Bearing DE side	6206-2RS-C3	
	LwA	80	dB(A)	Bearing NDE side	6206-2RS-C3	
Moment of inertia	0.00905		Kgm <sup>2</sup>	Average bearing lifetime	40000 h	
Bearings type			NSK	Relubrication interval L1 DE bearing	life h	
Lubricants for bearings	See installation and maintenance manual page 12			Relubrication interval L1 NDE bearing	life h	
				Compensation ring		NDE SIDE standard