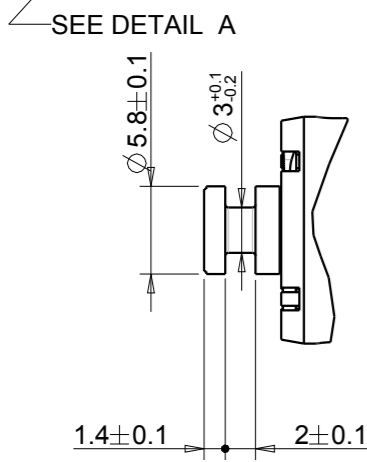
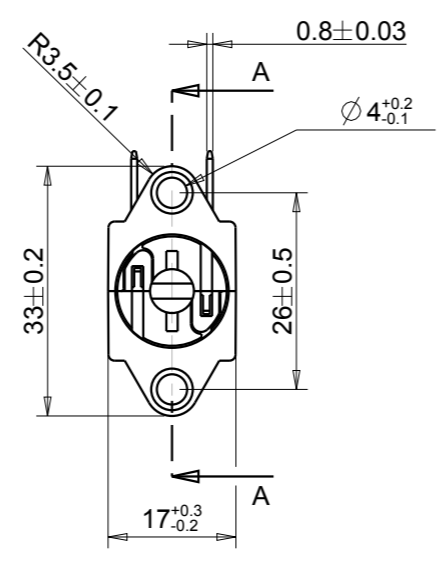
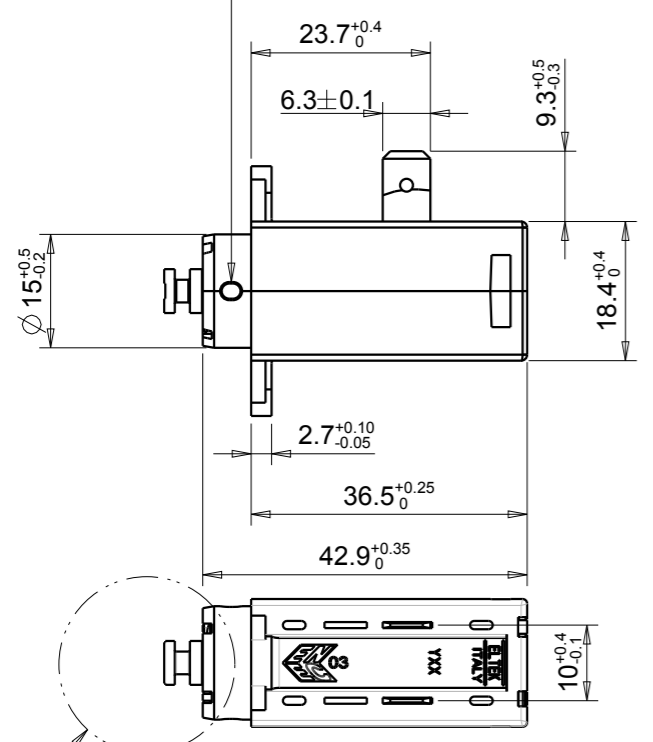
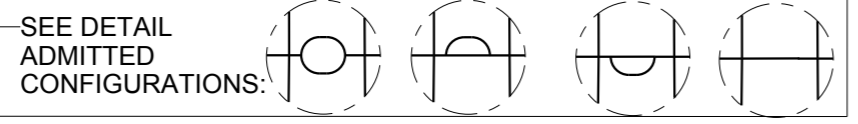


Il fornitore e' tenuto a richiedere le prescrizioni riguardanti la simbologia sulle dimensioni e a copiarla e copia della specifica accettazione materiali n. 83.0117.00. Il simbolo si riferisce alle zone/quote modificate. The supplier is obliged to request the prescription regarding symbols on the dimensions and a copy of the specification concerning materials acceptance n. 83.0117.00. The symbol refers to modified area/dimensions.

Questo documento e le informazioni in esso contenute sono di proprieta' ELTEK SpA e devono considerarsi di natura riservata. Pertanto ne e' vietato qualsiasi tipo di utilizzo non preventivamente autorizzato da ELTEK SpA. This document and the information in it contained are property of ELTEK SpA and, as such, they are to be considered reserved. Therefore, any reproduction in any form or by any means, without prior written permission of ELTEK SpA, is forbidden.

General tolerances	120+	180	±.27
	80+	120	±.23
	50+	80	±.19
	30+	50	±.16
	18+	30	±.13
	< 18		±.10
Angles			± 2°

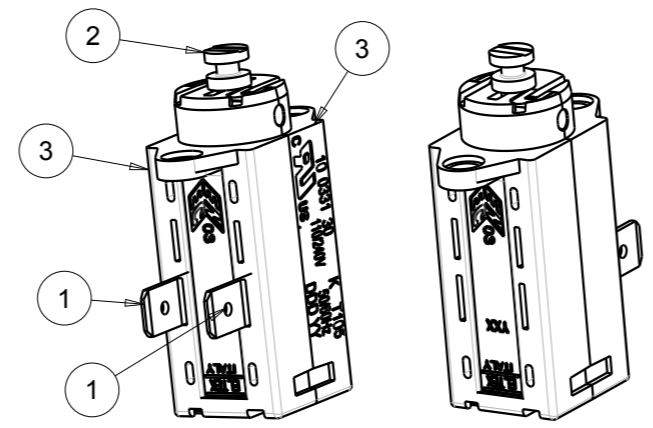


DETAIL A SCALE 2:1

Electrical and mechanical features		
Pos.	Features	Value
1	Breakdown voltage (< 0.1 s)	400
2	Absorbed current (peak 110/220V)	0.5A/0.75A
3	Absorbed current (steady state 110/220V)	0.05A/0.03A
4	Do not energize for more than	180 sec.
5	Do not stop plunger travel under	16.5 mm
6	Max applicable load during phase OFF	2 N

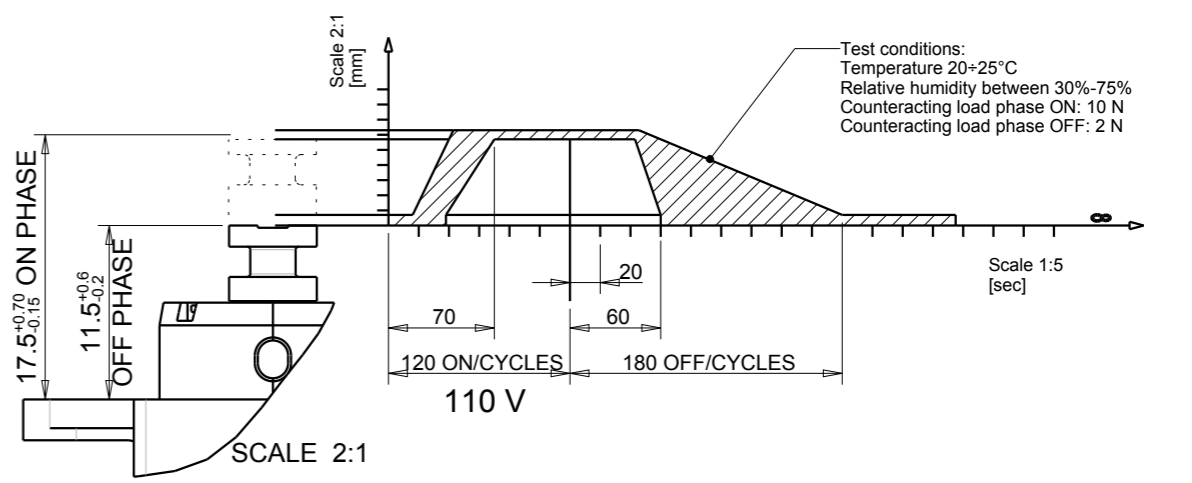
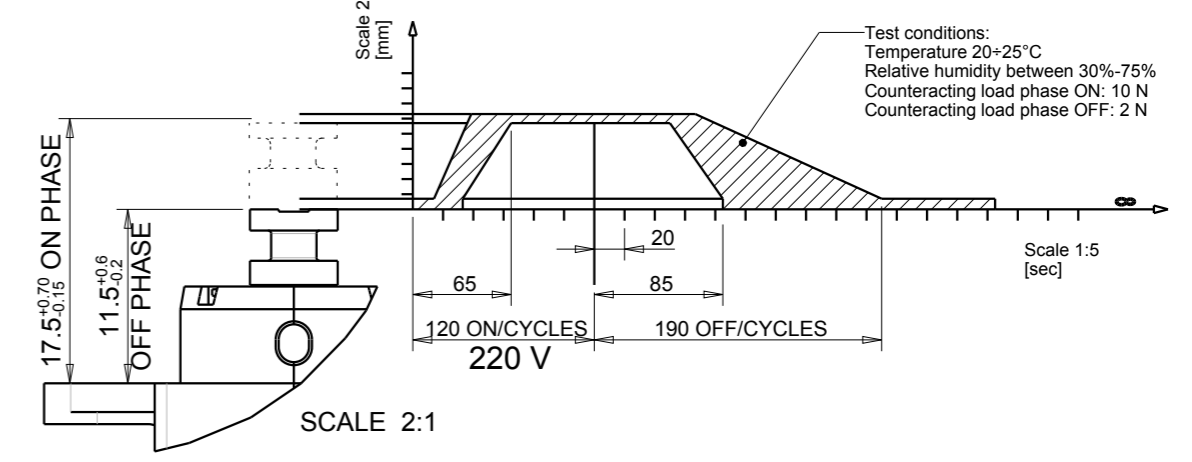
MARKING

10 0331-30 R T105
110/240V 500HZ
C US DDD YY



N°	Description	Materiale	QTY	Colour
1	Faston	Bronze	2	Bronze
2	Plunger	PA 6.6+Glass fiber	1	Brown
3	Half housing	PA6.6+Glass fiber	2	Brown

STROKE / TIME DIAGRAM



Note:
For technical data refer to the Technical Specification code 82.0331.00
The thermoactuator has a grade of protection : IP00 (not protected, ref. IEC 60529).
For more details refer to technical specification code 82.0331.00

All above p.n. are approved: 03 File E113133
N°500 thermoactuator in each box (390X290X180)

40/A		Adjusted: added stroke time diagramm, marking view and update dimensions, it is replace 100331A1	08/01/20	SEGALINI	Drawn: SEGALINI	Date: 08/01/20
Rev		Modification Description	Date	By	Checked: CHIAPPINO	Date: 08/01/20
Drawing Size	First angle projection	Material			Scale:	1:1
A3		Colour			Volume:	[mm ³]
		Description			Weight [g]:	19.5
ELTEK S.p.A. - Casale Monf. ITALY		Thermoactuator 6mm stroke, 110/240V.			Replace	Index
					10.0331.A1.14	-
					Code	Index
					10.0331.30.40	A