

Description:

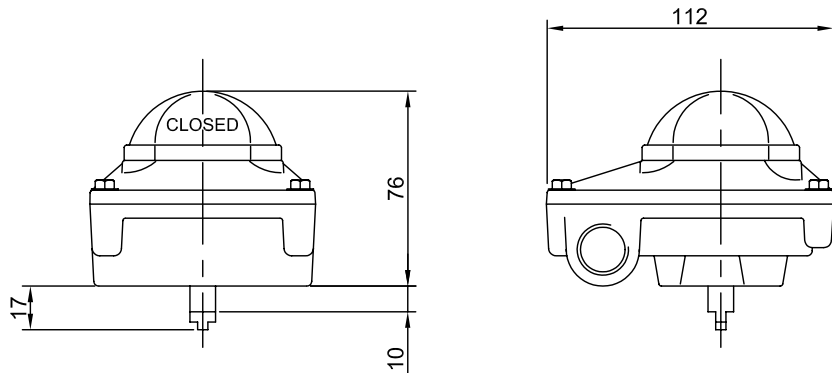
Powder Coated Aluminium Switchbox to IP67 fitted with 2 x SPDT switches for indication of fully open and fully closed positions. Solid and compact design with high visibility beacon indicator. Captive cover bolts are safely retained during installation and maintenance. The spring loaded splined cams are easily adjustable with no tools required. Dual cable entries are provided. The switchbox is mounted to the actuator using a NAMUR standard stainless steel mounting bracket.

Standard Specification:

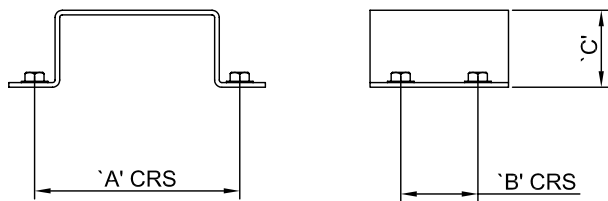
- Enclosure Material : Die Cast Aluminium
- Enclosure Rating : IP67
- Enclosure Finish : Polyester powder coating (Black)
- Shaft Material : Stainless Steel
- Cable Entries : 2 x M20 (Options PG13.5 & 1/2"NPT)
- Limit Switch Type : 2 x SPDT, Mechanical
- Voltage/Amps : 250V AC/16A, 125V AC/16A, 250VDC/0.3A, 125VDC/0.6A, 30VDC/10A
- Ambient Temperature : -20° to +80° C

Options:

- Enclosure Rating : IP68
- Enclosure Finish : Various colours
- Proximity sensors : See Data Sheets: 2.11.1 & 2.12.1
- Beacon Indicator : 3 Way Indication



Mounting Bracket



Bracket	A	B	C	Application
MBP-100	80	30	30	80 x 30 x 20
MBP-200	80	30	40	80 x 30 x 30
MBP-300	130	30	40	130 x 30 x 30
MBP-400	130	30	60	130 x 30 x 50

