



# CONNECTORS

EN 175301-803, industry standard form B (11 mm)  
ISO 4400 / EN 175301-803, form A (18 mm)  
sizes 22 and 30

Series  
**881**

## FEATURES

- Spade connector sizes 22 and 30 to fit standardised three-pin moulded coils:
  - size 22, EN 175301-803, industry standard form B (11 mm), for coil types CM5, CM22, C22A, EMX and BMX
  - size 30, ISO 4400 / EN 175301-803 form A (18 mm), for coil types CM6, CMXX, CM12, CM25, C25A, CM30, CM40, ANX, AMX, JMX, FNX and FMX
- The connectors are available in three versions: standard rotatable version with or without integrated visual LED indicator and electrical protection, or version with non-rotatable 3-core moulded-in cable, 2 m long
- The standard connector size 30 is provided with a removable lid allowing access to the wiring for easy checking of power supply without unplugging the connector and without interrupting operation of the solenoid valve

## GENERAL

### Connector specification

size 22 (11 mm)

size 30 (18 mm)

### Max. operating temperature

EN 175301-803 industry standard form B  
ISO 4400 / EN 175301-803, form A  
-40°C to +80°C (-40°C to +125°C<sup>(1)</sup> with silicone seal)  
[version with moulded-in cable -5°C to +70°C]

## CONSTRUCTION

### Standard version

### Enclosure with LED and protection

### Enclosure with PVC cable

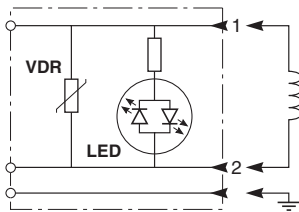
### Seals

PA (polyamide), glass-fibre reinforced  
PA  
PA (polyamide), glass-fibre reinforced  
NBR [option for size 30: VMQ (silicone)]

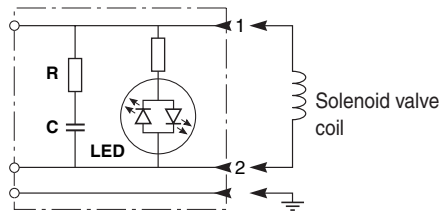
## ELECTRICAL CHARACTERISTICS

	Size 22	Size 30
Number of contacts	2 + common earth	2 + common earth
Distance between contacts	11 mm	18 mm
Contact resistance	≤ 4 m Ω	≤ 4 m Ω
Connector	Spade plug	Spade plug
Electrical safety	IEC 335	IEC 335
Electrical enclosure protection	IP65 (EN 60529)	IP65 (EN 60529)
Number of wires (with cable)	3	3

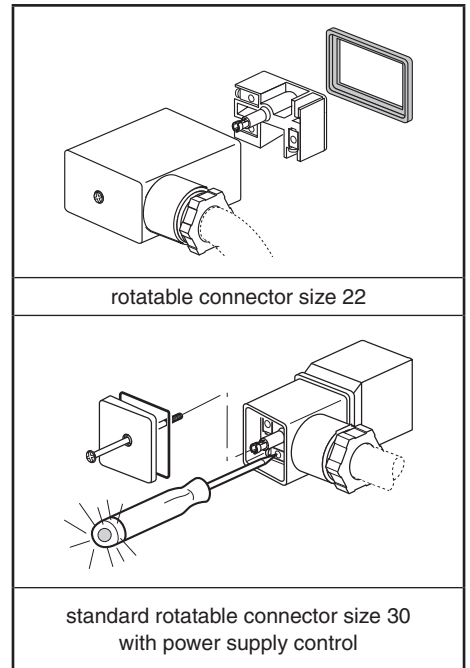
### LED indicator and electrical protection diagrams



connector size 22



connector size 30



**VDR** Varistor absorbing the self-inductance of the coil.  
**RC** RC circuit absorbing the self-inductance of the coil.  
**LED** Green light-emitting diode, bidirectional, signalling the presence of voltage across the coil terminals.

## SPECIFICATIONS

description	cable length	cable O.D.		wire cross-section (mm <sup>2</sup> )	max. voltage (V)	type	catalogue number		
		size 22	size 30				size 22 NBR	size 30 NBR	size 30 VMQ <sup>(1)</sup>
<b>Rotatable connector</b>									
standard, without LED indicator	-	6-8 mm	6-10 mm	1,5	250	01-02	88122404	88122602	88122625
with integrated LED indicator and electrical protection	-	6-8 mm	8-10 mm	1,5	12	01-02	-	88122611	-
					24		88122603	-	
					48		88122406	88122604	-
					115		88122407	88122605	-
230	88122410	88122608	-						
<b>Non-rotatable connector with cable</b>									
without LED indicator	2 m	-	-	1,5	250	03-04	88122413	88122612	-

<sup>(1)</sup> For use within class H temperature limits.

### INSTALLATION

- The connectors can be mounted in any position without affecting operation

### ORDERING EXAMPLES:

88122404 88122602
basic number _____

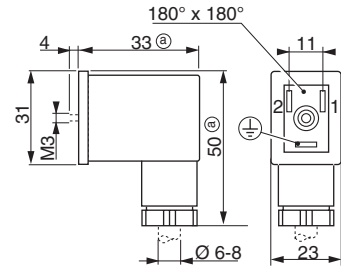
### DIMENSIONS (mm), WEIGHT (kg)



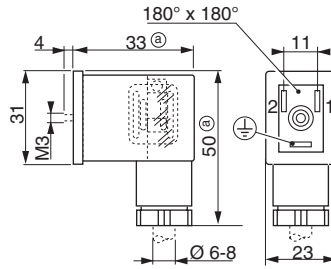
#### TYPE 01

Size 22 (11 mm)  
EN 175301-803 industry standard form B  
IP65

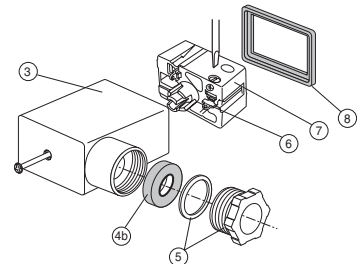
88122404



88122405/406/407/410



88122404/405/406/407/410



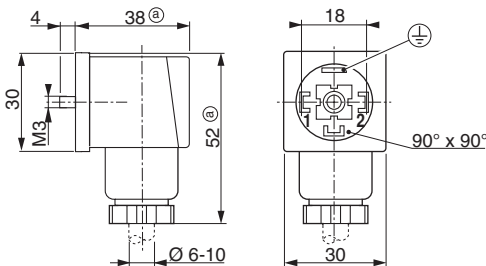
(a) Max. dimension.



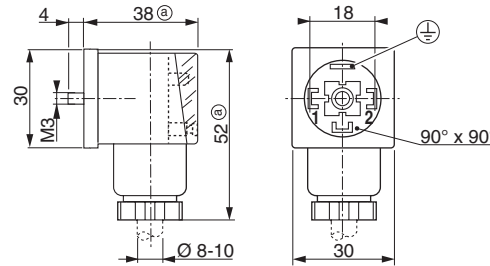
#### TYPE 02

Size 30 (18 mm)  
ISO 4400 / EN 175301-803, form A  
IP65

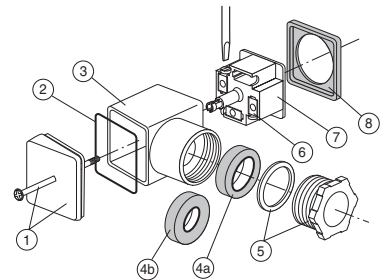
88122602/625



88122611/603/604/605/608



88122602/625



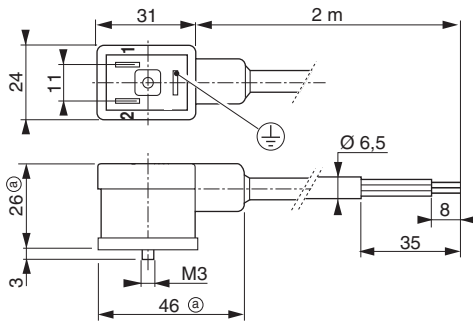
(a) Max. dimension.



#### TYPE 03

Size 22, flying leads (11 mm)  
EN 175301-803 industry standard form B  
IP65  
(non-rotatable terminal holder)

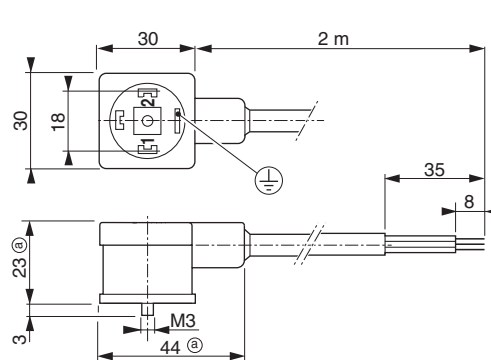
88122413



#### TYPE 04

Size 30, flying leads (18 mm)  
ISO 4400 / EN 175301-803, form A  
IP65  
(non-rotatable terminal holder)

88122612



(a) Max. dimension.

type	L (m)	weight <sup>(1)</sup>	
		without LED indicator	with LED indicator
01	-	0,025	0,025
02	-	0,030	0,032
03	2	0,150	-
04	2	0,155	-

sizes 03 and 04	
brown wire	terminal 1 (+)
blue wire	terminal 2 (-)
green/yellow wire	earth

<sup>(1)</sup> Including seals and screws.



# CONNECTORS

EN 175301-803, industry standard form C (9,4 mm)  
 EN 175301-803, form C (8 mm)  
 size 15

Series  
**881**

## FEATURES

- Spade connector size 15 to fit standardised three-pin moulded coils:
  - EN 175301-803, industry standard form C (9,4 mm), for coil type CM15 (series 202), DMX and series 302, 630, 519, 520, 521 and 578 (MEGA)
  - EN 175301-803, form C (8 mm), for series 302, 630 and 202
- The connectors are available in three versions: standard rotatable version, or version with non-rotatable 3-core moulded-in cable, 2 m or 5 m long, with or without integrated visual LED indicator and electrical protection

## GENERAL

### Connector specification

size 15, 9,4 mm pin spacing	EN 175301-803, industry standard form C
size 15, 8 mm pin spacing	EN 175301-803, form C
Max. operating temperature	-25°C to +60°C [version with moulded-in cable -25°C to +60°C]



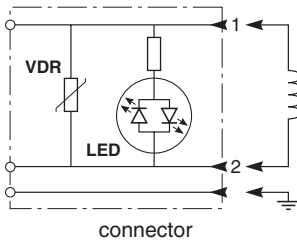
## CONSTRUCTION

Standard version	PA (polyamide), glass-fibre reinforced
Enclosure with LED and protection	PA or PP
Enclosure with PVC cable	PP (polypropylene), glass-fibre reinforced
Seals	NBR

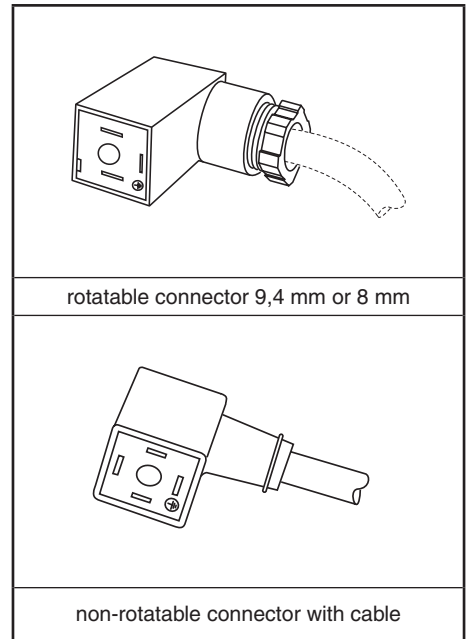
## ELECTRICAL CHARACTERISTICS

	Size 15	Size 15
Number of contacts	2 + common earth <sup>(1)</sup>	2 + common earth
Distance between contacts	9,4 mm	8 mm
Contact resistance	≤ 4 m Ω	≤ 4 m Ω
Connector	Spade plug	Spade plug
Electrical safety	IEC 335	IEC 335
Electrical enclosure protection	IP65 (EN 60529)	IP65 (EN 60529)
Number of wires (with cable)	3	3

### LED indicator and electrical protection diagrams



**VDR** Varistor absorbing the self-inductance of the solenoid valve coil.  
**LED** Green light-emitting diode, bidirectional, signalling the presence of voltage across the coil terminals.



## SPECIFICATIONS

description	cable length	cable O.D.	wire cross-section (mm <sup>2</sup> )	max. voltage (V)	type	catalogue number	
						size 15	
						9,4 mm	8 mm
<b>Rotatable connector</b>							
standard, without LED indicator	-	4-6 mm	0,6	250 V	01-02	88143581	88130211
<b>Non-rotatable connector with cable</b>							
without LED indicator	2 m	-	0,6	250 V	03	88143567	<sup>(2)</sup>
with integrated LED indicator and electrical protection	2 m	-	0,6	24 V	04	88143580	-
	5 m					88143593	-

<sup>(1)</sup> Version with 3 pins + earth, see our catalogue Fluid Automation Pneumatic Components, page P575.

<sup>(2)</sup> Contact us

### OPTIONS

- Connectors with cable, 5 m long, contact us

### INSTALLATION

- The connectors can be mounted in any position without affecting operation

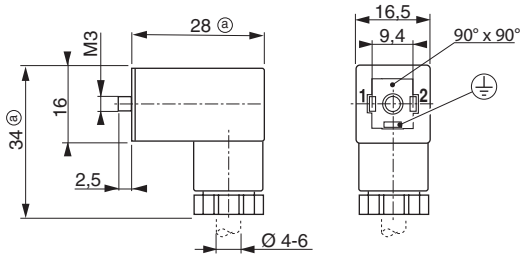
### ORDERING EXAMPLES:

88143581 88130211
basic number _____

### DIMENSIONS (mm), WEIGHT (kg)

**TYPE 01**  
Size 15, 9,4 mm  
EN 175301-803, industry standard form C  
IP65

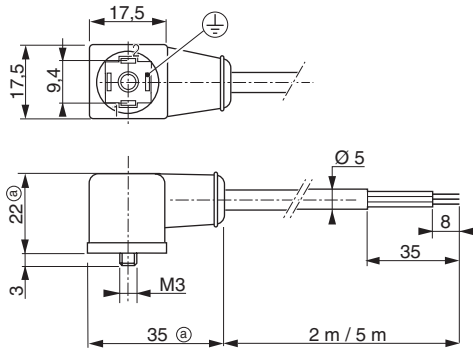
**88143581**



(a) Max. dimension.

**TYPE 03**  
Size 15, flying leads, without LED indicator  
EN 175301-803, industry standard form C (9,4 mm)  
IP65  
(non-rotatable terminal holder)

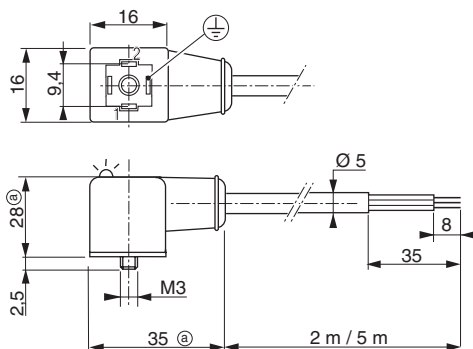
**88143567**



(a) Max. dimension.

**TYPE 04**  
Size 15, flying leads, with LED indicator  
EN 175301-803, industry standard form C (9,4 mm)  
IP65  
(non-rotatable terminal holder)

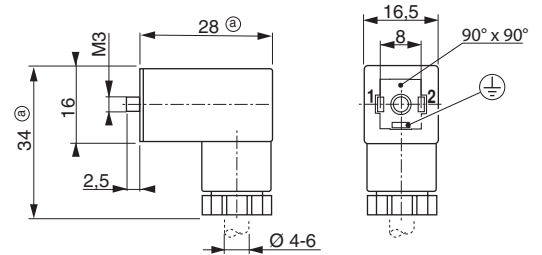
**88143580/593**



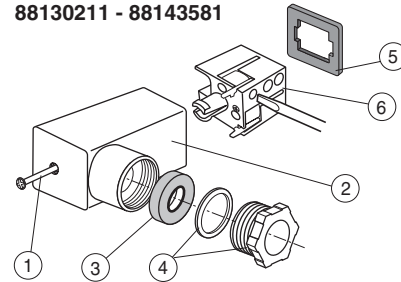
(a) Max. dimension.

**TYPE 02**  
Size 15, 8 mm  
EN 175301-803, form C  
IP65

**88130211**



### 88130211 - 88143581



- 1 Fastening screw
- 2 Enclosure
- 3 Seal for cable dia. 4 to 6 mm
- 4 Stuffing box washer and nut
- 5 Connector seal
- 6 Terminal holder
- 7 Cable connection terminal

type	L (m)	weight <sup>(1)</sup>	
		without LED indicator	with LED indicator
01 - 02	-	0,015	-
03	2	0,100	-
04	2	-	0,100
	5	-	0,220

<sup>(1)</sup> Including seals and screws.

sizes 03 and 04	
brown wire	terminal 1 (+)
blue wire	terminal 2 (-)
green/yellow wire	earth