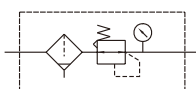


MAFR400 series

AIR UNITS (F.R.UNIT)



Symbol



Specification

Model	MAFR400		
Bore No.	8A	10A	15A
Port size	1/4	3/8	1/2
Medium	Air		
Operating pressure range	0.05~1 MPa		
Proof pressure	1.5 MPa		
Regulated pressure range	0.05~0.85 MPa		
Ambient temperature	-5~+60°C (No freezing)		
Filter element	Standard: 40 μm Option: 5 μm		
Attachment	Pressure gauge (PG-50), bracket		
Weight	1350 g		

※ Standard unit contains semi-auto-drain function when operating pressure below 0.05 MPa.

Order example

MAFR400 - 10A - D - □ - □

MODEL

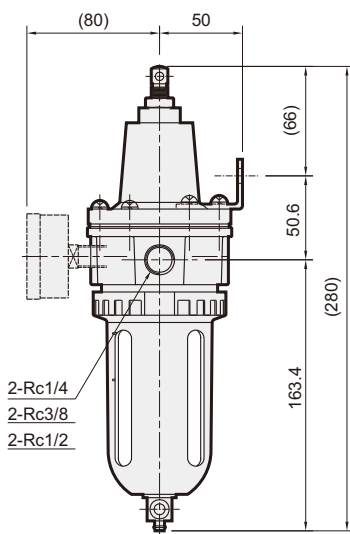
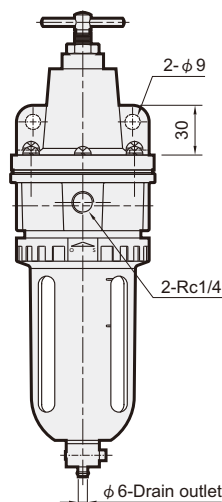
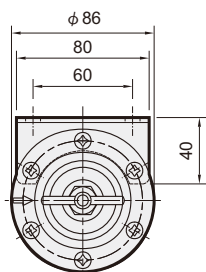
BORE SIZE

8A: 1/4
10A: 3/8
15A: 1/2

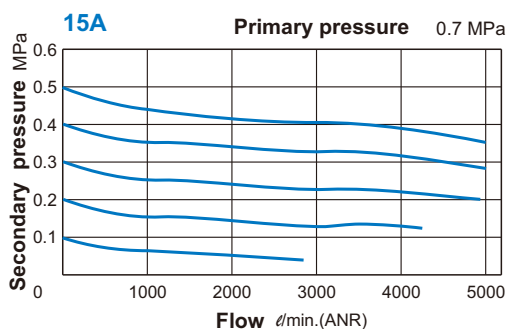
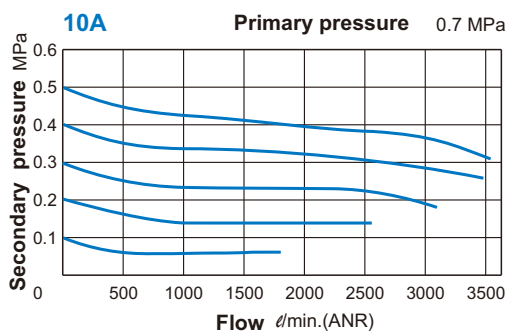
FILTER ELEMENT
Blank: 40 μm
5u: 5 μm

PORT THREAD
Blank: Rc thread
G: G thread
NPT: NPT thread

D: Auto drain valve (FMRF300)
N: Nylon bowl



Flow feature



Mindman