

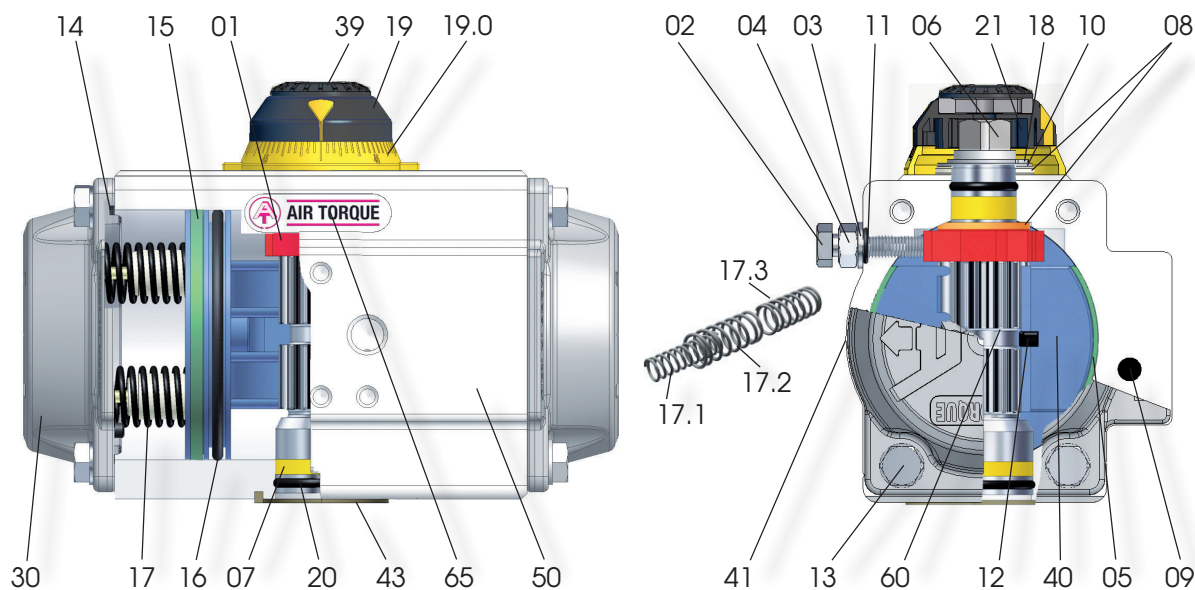


The EDITION 2010  
Part Description  
DR/SC00015U-00030U



**AIR TORQUE**

PNEUMATISCHE STELLANTRIEBE



PART N°	Spare parts	UNIT Q.TY / NOTE	PART DESCRIPTION	STANDARD MATERIAL (A) (B)	
01		1	OCTI-CAM (Stop arrangement)	Stainless Steel	
02		2	STOP CAP SCREW	Stainless Steel	
03		2	WASHER	Stainless Steel	
04		2	NUT (Stop screw)	Stainless Steel	
05	○	2	<b>BEARING (Piston back)</b>	PA46	
06	○	1	<b>BEARING (Pinion top)</b>	PA46	
07	○	1	<b>BEARING (Pinion bottom)</b>	PA46	
08	○	1	<b>THRUST BEARING (Pinion)</b>	PA46	
09	○ ⊕	2	<b>PLUG</b>	Silicone	
10		1	THRUST WASHER (Pinion)	Stainless Steel	
11	○ ⊕	2	"O" RING (Stop screw)	M-NBR	
12		2	PISTON GUIDE	PA66+GF	
13		8	CAP SCREW (End cap)	Stainless Steel	
14	○ ⊕	2	"O" RING (End cap)	M-NBR	
15	○	2	<b>BEARING (Piston head)</b>	POM	
16	○ ⊕	2	"O" RING (Piston)	M-NBR	
17		min.2 max.4	SPRING (Cartridge)	SiCr Spring alloy Steel epoxy coated	
17.1			SPRING		
17.2		min.2 max.4	SPRING		
17.3			SPRING		
18		1	SPRING CLIP (Pinion)	Spring Steel, ENP	
19		1	POSITION INDICATOR	PA66+GF+CB	
19.0		1	GRADUATED RING	PA66+GF(+CB)	
20	○ ⊕	1	"O" RING (Pinion bottom)	M-NBR	
21	○ ⊕	1	"O" RING (Pinion top)	M-NBR	
30		2	END CAP	Pressure Die Cast Aluminium alloy, anodized and coated	
39		1	CAP SCREW (Indicator)	PA66+GF+CB	
40		2	PISTON	Pressure Die Cast Aluminium alloy, anodized	
41		1	ACTUATOR IDENTIFICATION LABEL	Polyester-Silver	
43		1	SPIGOT (Only on request)	Extruded Aluminium alloy, anodized	
50		1	BODY	Extruded Aluminium alloy, coated	
60		1	DRIVE SHAFT	Steel, ENP	
60.1		1	only f prot. level E and EC	INTEGRAL DRIVE SHAFT	Stainless Steel, ENP
65		1		PLASTIC INSERT	Modified PA66

○ Parts included in Complete spare parts kit ⊕ Parts included in „O“ ring spare parts kit