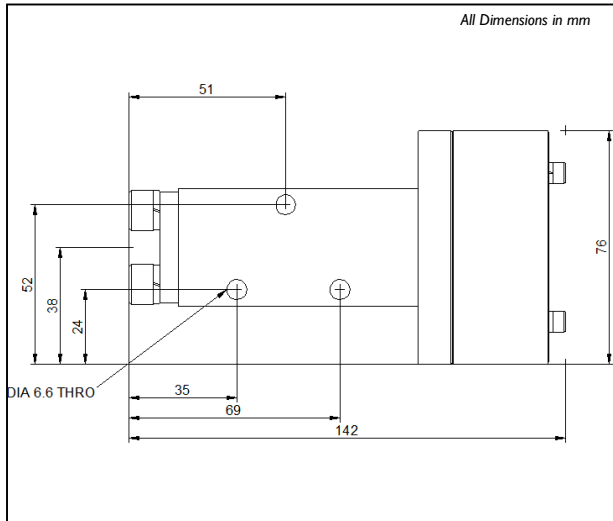
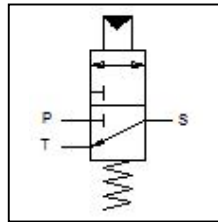


FP15E

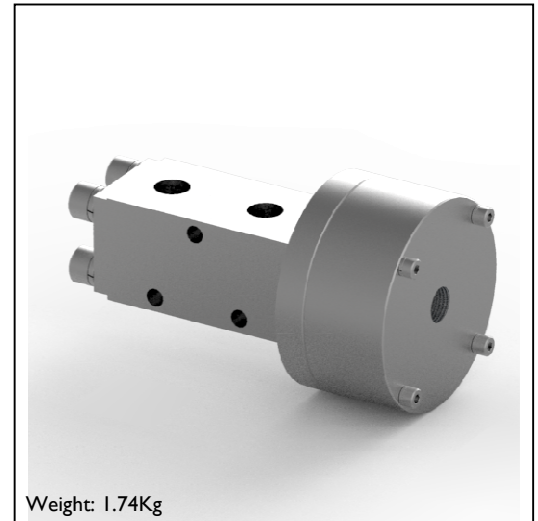
Dimensional Drawing



Schematic



Rendering



FP15E/LI/04/32/S

FP15E	Interface Valve	Model Code
LI	10bar max pilot, 414bar max valve pressure, 15 litres per min	Operator
04	1/4 body ported	Connections
32	3 way, 2 position	Configuration
S	Nitrile -30°C to +130°C	O-ring Material
	Hydraulic Service	Hydraulic/Gas Servic
	Standard	Material Option
	Normally Closed	Configuration
FP15E /LI /04 /32 /S		Model Number

This is a bespoke datasheet. For further details on the complete range, please refer to catalogue: FP15, FP15E Interface / Pilot

www.bifold.co.uk

Accuracy of information
We take care to ensure that product information in this catalogue is reasonably accurate and up-to-date. However, our products are continually developed and updated so to ensure accurate and up-to-date information please refer to the product catalogue issue list on our web site or contact a member of our sales team.

When selecting a product, the applicable operating system design must be considered to ensure safe use. The products function, material compatibility, adequate ratings, correct installation, operation and maintenance are the responsibilities of the system designer and user.

Quality Assurance
All Bifold products are manufactured to a most stringent QA programme to ensure that every product will give optimum performance and reliability. We are third party certified to BS EN ISO 9001:2008. Functional test certificate, letter of conformity and copies of original mill certificates, providing total traceability are available on request, to BS EN 10204 3.1 where available. We reserve the right to make changes to the specifications and design etc., without prior notice.

Bifold
is a member of the
Bifold Group
of companies