



## T-FAN

### Filter Fans

High performance, fast mounting and easy maintenance



#### Modern design

A positive visual impact is given by the up-to-date design of the grills and the minimal external projection. All molded parts are made of highly resistant and self-extinguishing ABS, UL94 VO grade. The standard color is RAL 7035.



#### Easy maintenance

Easy maintenance thanks to openable front grill. Replacement of soiled filter mat takes only few seconds and it doesn't require tools.



#### Wide range of air flow ratings

The range of air flow ratings goes from 26 to 700m<sup>3</sup>/h



#### Optimal enclosure protection

The special configuration of the grill, the foam seal gasket and the filter mat ensure an IP54 protection degree towards the enclosure.



#### Quick electrical connection

ATV are fitted with spring terminals for a faster and safer wiring. Default terminals position is above the fan but it can easily be changed at the bottom of the fan according to wiring needs without tools thanks to Fan Quick Lock system.



#### Fan Quick Lock (FQL)

Default air flow direction is from the outside towards the inside of the enclosure. If needed the user can easily reverse the direction thanks to Fan Quick Lock system, without tools.



#### Fast installation

Installation is fast thanks to the simple square cutout on the enclosure and to the snap-in fixing system. No screws are needed.



## T-FAN

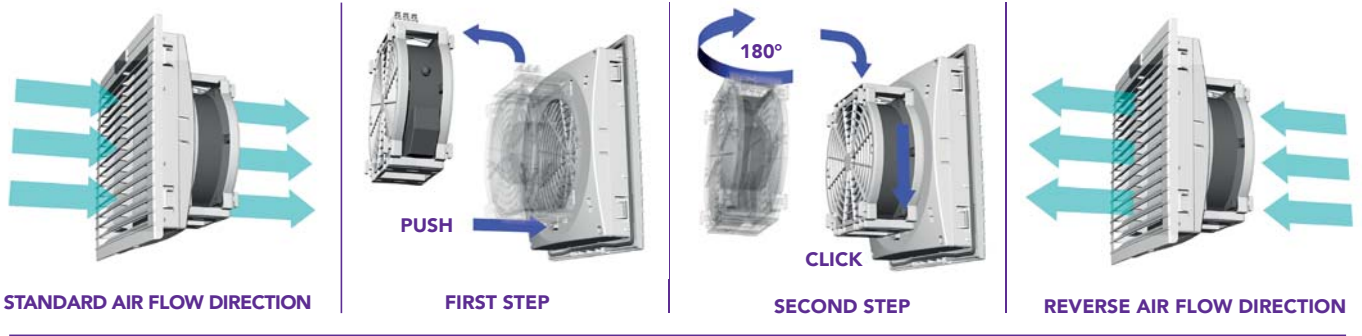
Specifications, values and drawings are subject to change without notice.



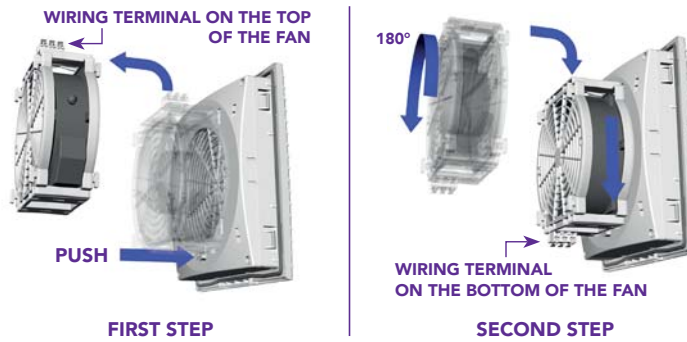
# VENTILATION

## FAN QUICK LOCK (FQL)

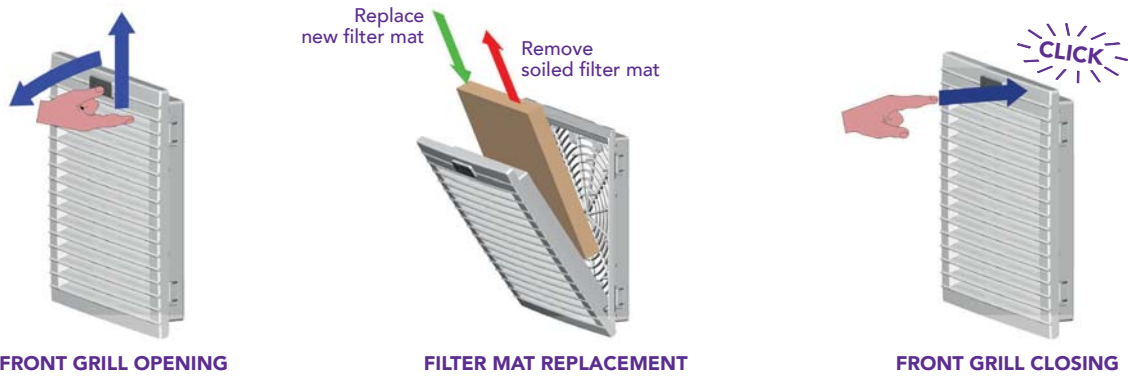
Reverse Air Flow



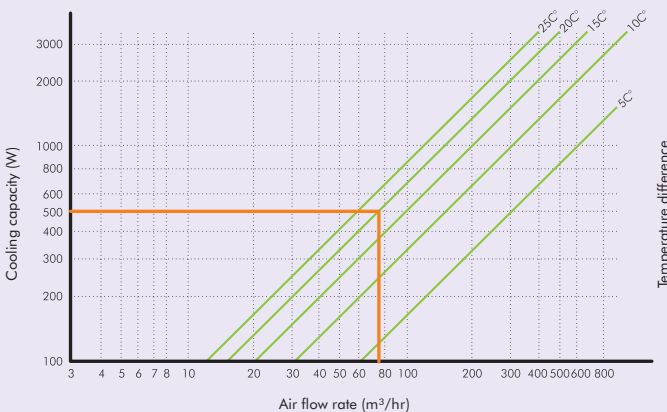
Terminal top/bottom inversion



## EASY MAINTENANCE Fast filter mat replacement (FMR)



### COOLING PERFORMANCE DIAGRAM



### FILTER FAN SELECTION WITH WATT-A-CALCULATOR



Watt-a-Calculator is a selection software that matches the best model to the specific customer application. Watt-a-Calculator is available on Alfaelectric web site. Please visit it and follow the easy instructions to find the solutions for you.

[www.alfaelectric.com/wattcalc](http://www.alfaelectric.com/wattcalc)



### ATV 11



Features	Unit	ATV1000	ATV1100	ATV1101	ATV1112	ATV1124
Air flow rate (free blow)	m <sup>3</sup> /h	-	26 (30)		26	
Air flow rate with exit filter	m <sup>3</sup> /h	-	15 (18)		15	
Power supply	V/Hz	-	230 / 50-60	115 / 50-60	12DC	24DC
Dimensions HxWxD	mm	114x114x27	114x114x73		114x114x60	
Power consumption	W	-	13 (12)		3	4
Current consumption	A	-	0.10 (0.08)	0.14 (0.12)	0.25	0.16
Overcurrent protection	-	-	impedance			
Electrical connection	-	-	3-poles spring terminals *		2-poles spring terminals *	
Duty cycle	-	-	100%			
Operating temperature	°C (°F)	-10 / +70 (+14/+158)				
Protection degree / Class	-	IP54	IP54 / Class I			
Noise level	dB(A)	-	30 (35)		35	
Flow direction	-	-	reversible, default factory setting outside-in			
Bearing	-	-	ball			
Filter mat EN779	-	G2	G2			
Service life (at 40°C)	hr	-	50 000			
Material	-	ABS UL94V-0 color RAL7035				
Wall thickness	mm	1.2 - 2.4				
Gasket	-	foam seal gasket				
Weight (with packaging)	kg	0.09(0.11)	0.41(0.46)		0.20(0.25)	
Package dimensions H x W x D	mm	125x125x35	125x125x80			
Mounting	-	fast clip-on				
Conformity/Certifications	-	CE				

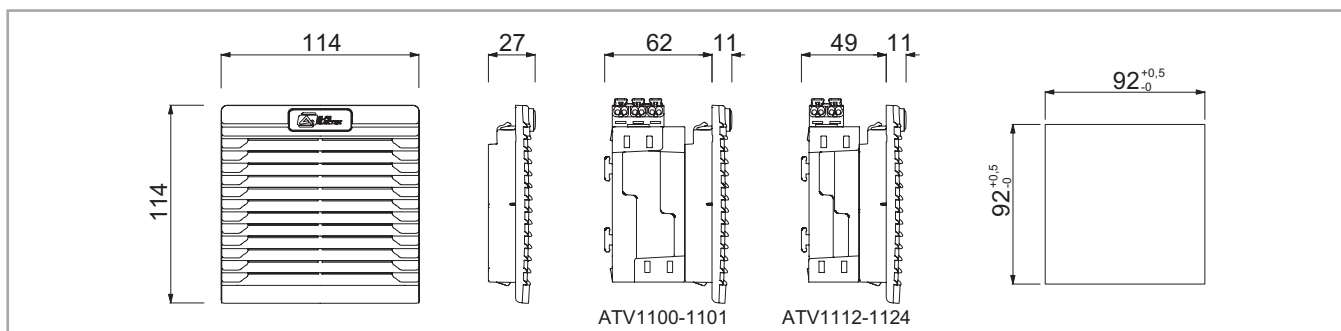
\* 0.5-2.5mm<sup>2</sup>

#### Versions

UL-code ending	U
EMC-code ending	M

#### Accessories

Filter mat, standard type	ATVF1
Filter mat, high efficiency	ATVF1X
Thermostat 0-60°C, NO contact	THV2
Fan speed controller	FSC
Hood for IP55	CUFF10B



Specifications, values and drawings are subject to change without notice.



## ATV 22



Features	Unit	ATV2000	ATV2200	ATV2201	ATV2224	ATV2248
Air flow rate (free blow)	m <sup>3</sup> /h	-	58(64)		58	
Air flow rate with exit filter	m <sup>3</sup> /h	-	43(48)		43	
Power supply	V/Hz	-	230 / 50-60	115 / 50-60	24DC	48DC
Dimensions HxWxD	mm	150x150x37	150x150x86			
Power consumption	W	-	22 (21)		9	13
Current consumption	A	-	0.14 (0.12)	0.26 (0.24)	0.37	0.27
Overcurrent protection	-	-	impedance			
Electrical connection	-	-	3-poles spring terminals *		2-poles spring terminals *	
Duty cycle	-	-	100%			
Operating temperature	°C (°F)	-10 / +70 (+14/+158)				
Protection degree / Class	-	IP54	IP54 / Class I			
Noise level	dB(A)	-	43(49)		45	
Flow direction	-	-	reversible, default factory setting outside-in			
Bearing	-	-	ball			
Filter mat EN779	-	G3	G3			
Service life (at 40°C)	hr	-	50 000			
Material	-	ABS UL94V-0 color RAL7035				
Wall thickness	mm	1.2 - 2.4				
Gasket	-	foam seal gasket				
Weight (with packaging)	kg	0.18(0.23)	0.76(0.83)		0.48(0.55)	
Package dimensions H x W x D	mm	165x165x45	165x165x90			
Mounting	-	fast clip-on				
Conformity/Certifications	-	CE				

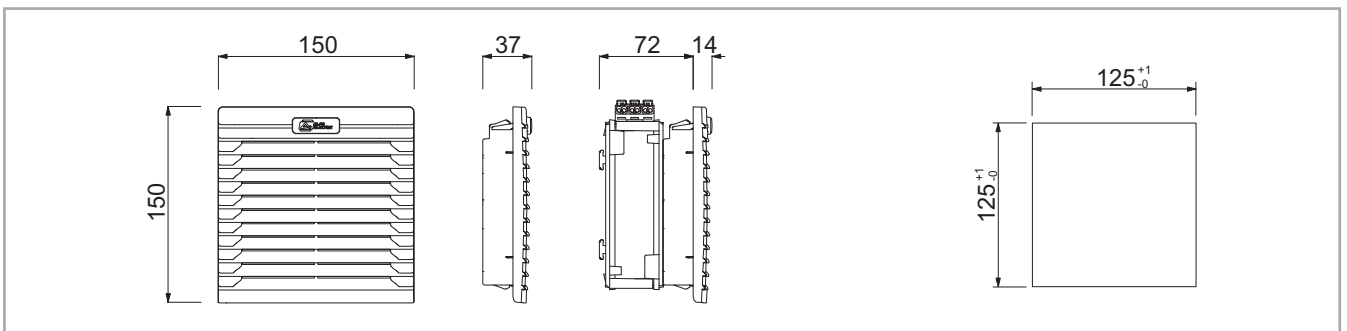
\* 0.5-2.5mm<sup>2</sup>

### Versions

UL-code ending	U
EMC-code ending	M

### Accessories

Filter mat, standard type	ATVF2
Filter mat, high efficiency	ATVF2X
Thermostat 0-60°C, NO contact	THV2
Fan speed controller	FSC
Hood for IP55	CUFF10B



Specifications, values and drawings are subject to change without notice.



### ATV 32



Features	Unit	ATV3000	ATV3200	ATV3201	ATV3224	ATV3248
Air flow rate (free blow)	m <sup>3</sup> /h	-	115 (125)		115	
Air flow rate with exit filter	m <sup>3</sup> /h	-	84 (97)		84	
Power supply	V/Hz	-	230 / 50-60	115 / 50-60	24DC	48DC
Dimensions HxWxD	mm	204x204x37	204x204x104			
Power consumption	W	-	22 (21)		9	13
Current consumption	A	-	0.14 (0.12)	0.26 (0.24)	0.37	0.27
Overcurrent protection	-	-	impedance			
Electrical connection	-	-	3-poles spring terminals *		2-poles spring terminals *	
Duty cycle	-	-	100%			
Operating temperature	°C (°F)	-10 / +70 (+14/+158)				
Protection degree / Class	-	IP54	IP54 / Class I			
Noise level	dB(A)	-	43 (49)		45	
Flow direction	-	-	reversible, default factory setting outside-in			
Bearing	-	-	ball			
Filter mat EN779	-	G3	G3			
Service life (at 40°C)	hr	-	50 000			
Material	-	ABS UL94V-0 color RAL7035				
Wall thickness	mm	1.2 - 2.4				
Gasket	-	foam seal gasket				
Weight (with packaging)	kg	0.32(0.42)	0.98(1.18)		0.70(0.90)	
Package dimensions	mm	220x220x43	220x220x110			
Mounting	-	fast clip-on				
Conformity/Certifications	-	CE				

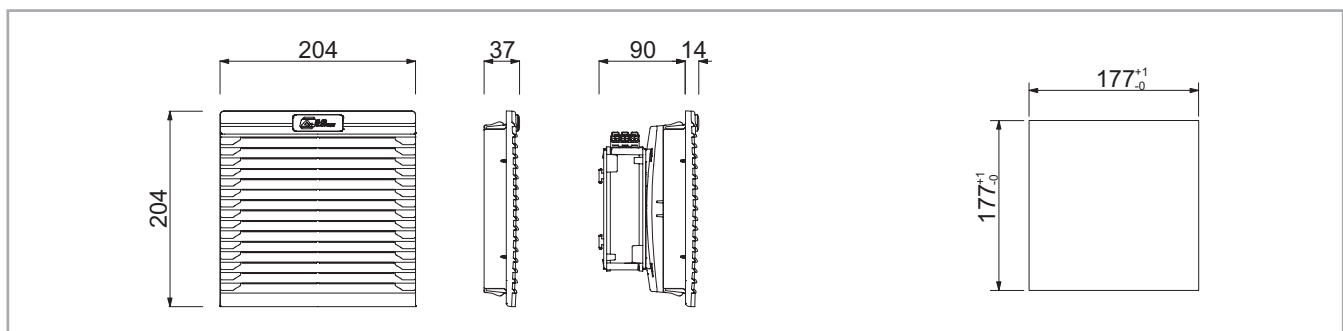
\* 0.5-2.5mm<sup>2</sup>

#### Versions

UL-code ending	U
EMC-code ending	M

#### Accessories

Filter mat, standard type	ATVF3
Filter mat, high efficiency	ATVF3X
Thermostat 0-60°C, NO contact	THV2
Fan speed controller	FSC
Hood for IP55	CUFF20B



Specifications, values and drawings are subject to change without notice.



## ATV 42



Features	Unit	ATV4000	ATV4200	ATV4201	ATV4224	ATV4248
Air flow rate (free blow)	m <sup>3</sup> /h	-	125 (135)		125	
Air flow rate with exit filter	m <sup>3</sup> /h	-	102 (112)		102	
Power supply	V/Hz	-	230 / 50-60	115 / 50-60	24DC	48DC
Dimensions HxWxD	mm	250x250x38	250x250x107			
Power consumption	W	-	22 (21)		9	13
Current consumption	A	-	0.14 (0.12)	0.26 (0.24)	0.37	0.27
Overcurrent protection	-	-	impedance			
Electrical connection	-	-	3-poles spring terminals *		2-poles spring terminals *	
Duty cycle	-	-	100%			
Operating temperature	°C (°F)	-10 / +70 (+14/+158)				
Protection degree / Class	-	IP54	IP54 / Class I			
Noise level	dB(A)	-	43 (49)		45	
Flow direction	-	-	reversible, default factory setting outside-in			
Bearing	-	-	ball			
Filter mat EN779	-	G3	G3			
Service life (at 40°C)	hr	-	50 000			
Material	-	ABS UL94V-0 color RAL7035				
Wall thickness	mm	1.2 - 2.4				
Gasket	-	foam seal gasket				
Weight (with packaging)	kg	0.52(0.62)	1.30(1.50)		1.00(1.20)	
Package dimensions H x W x D	mm	270x270x47	270x270x165			
Mounting	-	fast clip-on				
Conformity/Certifications	-	CE				

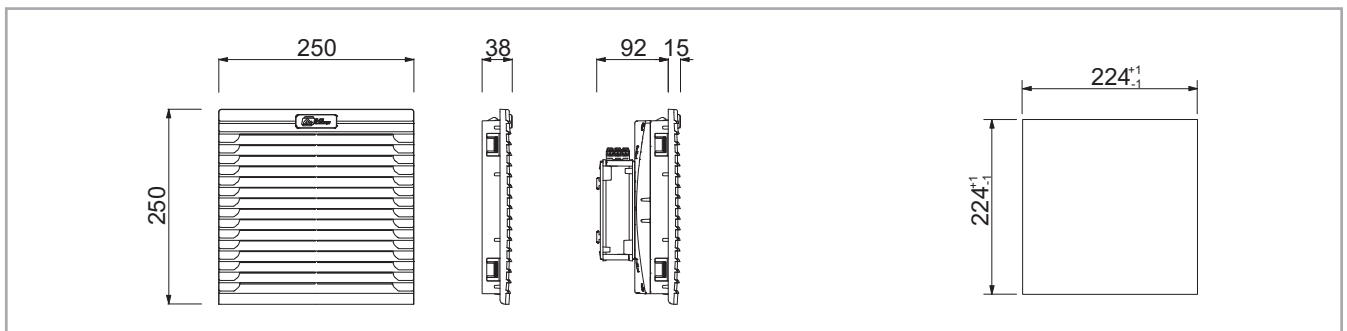
\* 0.5-2.5mm<sup>2</sup>

### Versions

UL-code ending	U
EMC-code ending	M

### Accessories

Filter mat, standard type	ATVF4
Filter mat, high efficiency	ATVF4X
Thermostat 0-60°C, NO contact	THV2
Fan speed controller	FSC
Hood for IP55	CUFF20B



Specifications, values and drawings are subject to change without notice.



### ATV 43 - ATV 44



Features	Unit	ATV4000	ATV4300	ATV4301	ATV4324	ATV4348	ATV4400	ATV4401	ATV4440
Air flow rate (free blow)	m <sup>3</sup> /h	-	255 (290)		255		410 (445)		
Air flow rate with exit filter	m <sup>3</sup> /h	-	202 (235)		202		280 (302)		
Power supply	V/Hz	-	230 / 50-60	115 / 50-60	24DC	48DC	230 / 50-60	115 / 50-60	400 / 50-60
Dimensions HxWxD	mm	250x250x38	250x250x128				250x250x136		
Power consumption	W	-	40 (38)		26	33	70 (90)		60 (70)
Current consumption	A	-	0.17 (0.16)	0.34 (0.32)	1.08	0.68	0.40 (0.38)	0.80 (0.76)	0.18 (0.15)
Overcurrent protection	-	-	thermal		impedance		thermal		
Electrical connection	-	-	3-poles spring terminals *		2-poles spring terminals *		3-poles spring terminals *		4-p s t*
Duty cycle	-	-	100%						
Operating temperature	°C (°F)	-10 / +70 (+14/+158)							
Protection degree / Class	-	IP54	IP54 / Class I						-
Noise level	dB(A)	-	53 (58)		61		65 (68)		
Flow direction	-	-	reversible, default factory setting outside-in						
Bearing	-	-	ball						
Filter mat EN779	-	G3	G3						
Service life (at 40°C)	hr	-	50 000						
Material	-	ABS UL94V-0 color RAL7035							
Wall thickness	mm	1.2 - 2.4							
Gasket	-	foam seal gasket							
Weight (with packaging)	kg	0.52(0.62)	1.72(1.92)		1.53(1.73)		2.74(2.94)		
Package dimensions H x W x D	mm	270x270x47	270x270x165						
Mounting	-	fast clip-on							
Conformity/Certifications	-	CE							

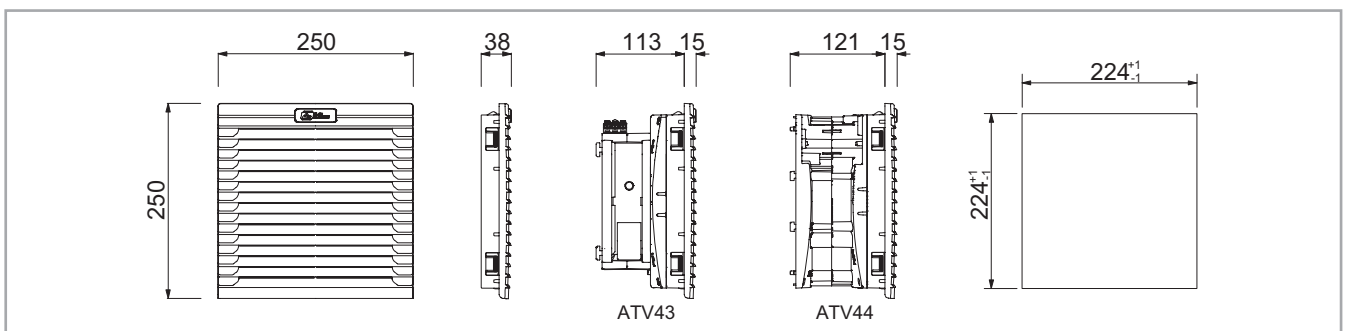
\* 0.5-2.5mm<sup>2</sup>

#### Versions

UL-code ending	U	-
EMC-code ending	M	-

#### Accessories

Filter mat, standard type	ATVF4
Filter mat, high efficiency	ATVF4X
Thermostat 0-60°C, NO contact	THV2
Hood for IP55	CUFF20B



Specifications, values and drawings are subject to change without notice.



## ATV 54 - ATV 55



Features	Unit	ATV5000	ATV5400	ATV5401	ATV5440	ATV5500	ATV5501
Air flow rate (free blow)	m <sup>3</sup> /h	-	550 (620)			700 (770)	
Air flow rate with exit filter	m <sup>3</sup> /h	-	405 (450)			520 (575)	
Power supply	V/Hz	-	230 / 50-60	115 / 50-60	400 / 50-60	230 / 50-60	115 / 50-60
Dimensions HxWxD	mm	325x325x42	325x325x140			325x325x154	
Power consumption	W	-	70 (90)		60 (70)	130 (180)	
Current consumption	A	-	0.40 (0.38)	0.80 (0.76)	0.18 (0.15)	0.55 (0.81)	1.10 (1.62)
Overcurrent protection	-	-	thermal				
Electrical connection	-	-	3-poles spring terminals *		4-p s t*	3-poles spring terminals *	
Duty cycle	-	-	100%				
Operating temperature	°C (°F)	-10 / +70 (+14/+158)					
Protection degree / Class	-	IP54	IP54 / Class I				
Noise level	dB(A)	-	65 (68)			72 (73)	
Flow direction	-	-	reversible, default factory setting outside-in				
Bearing	-	-	ball				
Filter mat EN779	-	G3	G3				
Service life (at 40°C)	hr	-	50 000				
Material	-	ABS UL94V-0 color RAL7035					
Wall thickness	mm	1.2 - 2.4					
Gasket	-	foam seal gasket					
Weight (with packaging)	kg	0.90(1.04)	3.00(3.25)			3.55(3.80)	
Package dimensions	mm	340x340x50	340x340x180				
Mounting	-	fast clip-on					
Conformity/Certifications	-	CE					

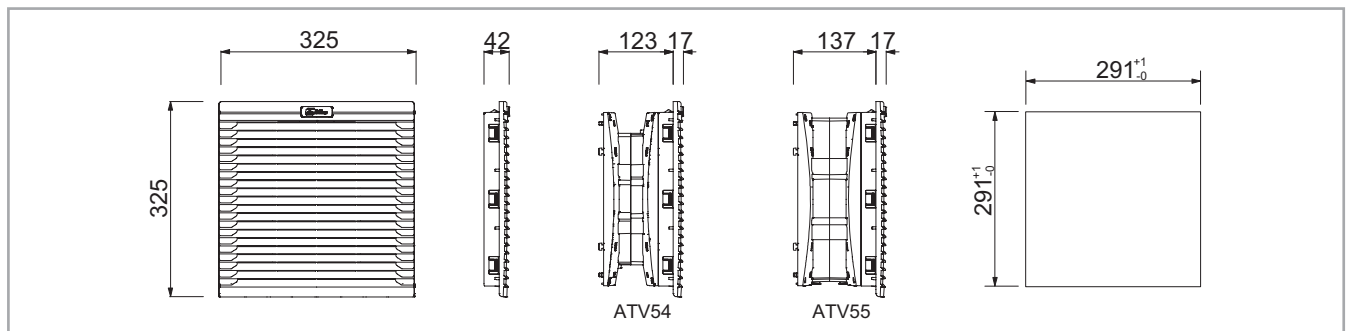
\* 0.5-2.5mm<sup>2</sup>

### Versions

UL-code ending	U	-	U	-
EMC-code ending		M		

### Accessories

Filter mat, standard type		ATVF5
Filter mat, high efficiency		ATVF5X
Thermostat 0-60°C, NO contact	-	THV2
Hood for IP55		CUFF30B



Specifications, values and drawings are subject to change without notice.



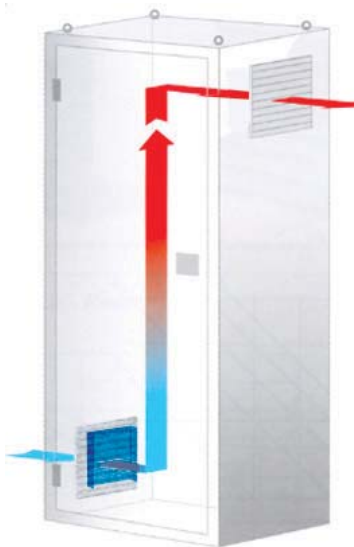


### ALFAA5



#### TIP

If possible it is better to use the units with the air flow from the outside to the enclosure inside. The slight pressurization of the panel prevents dust from getting through any openings.



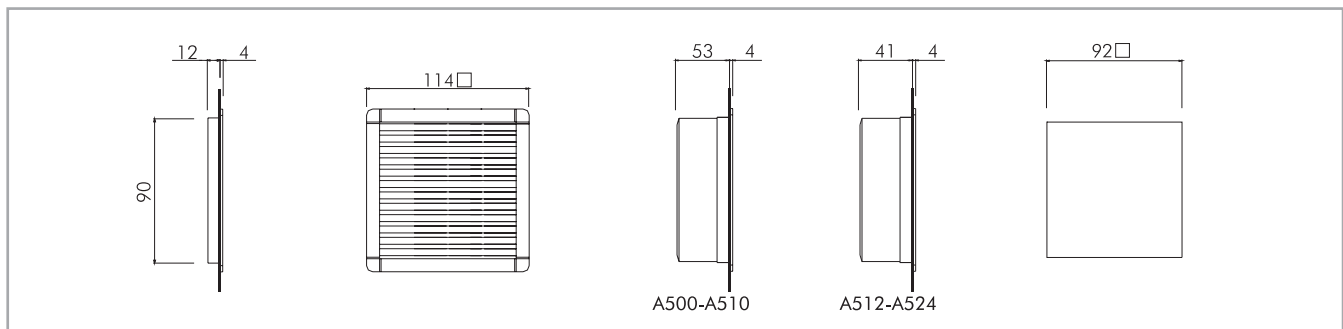
Features	Unit	ALFAA000BPB	ALFAA500BPB	ALFAA510BPB	ALFAA512BPB	ALFAA524BPB
Air flow rate (free blow)	m <sup>3</sup> /h	-	24(28)		24	
Flow rate with exit filter	m <sup>3</sup> /h	-	14(17)		14	
Power supply	V/Hz	-	230/50-60	115/50-60	12DC	24DC
Dimensions HxWxD	mm	114x114x16	114x114x57		114x114x45	
Power consumption	W	-	13(12)		3	4
Current consumption	A	-	0.10(0.08)	0.14(0.12)	0.25	0.16
Overcurrent protection	-	-	impedance			
Electric connection	-	-	faston 2.8x0.5 mm		2-pole terminal 1.5 mm <sup>2</sup>	
Duty cycle	-	-	100%			
Operating temperature	°C (°F)	-10/+70 (+14/+158)				
Protection degree/class	-	IP54	IP54/Class I			
Noise level	dB(A)	-	30(35)		35	
Flow direction	-	-	outside-in			
Bearing	-	-	ball			
Filter mat EN779	-	G2				
Service life (at 40°C)	hr	-	50 000			
Material	-	ABS UL94V-0 Color RAL7035				
Wall thickness	mm	1.2-2.4				
Gasket	-	self-adhesive				
Weight (with packaging)	kg	0.06(0.10)	0.38(0.43)		0.18(0.23)	
Package dimensions	mm	120x120x20	120x120x60			
Mounting	-	Fast Clip-on				
Conformity/Certifications	-	CE				

#### Versions

UL File n. E301228	ALFAA000BPUB	ALFAA500BPUB	ALFAA510BPUB	ALFAA512BPUB	ALFAA524BPUB
RAL7032 - Gray - Code ending	delete B				
RAL9005 - Black - Code ending	delete B, add N (available on request)				
EMC - Code ending	M				
Reverse flow - Code ending	-	-	-	PR	-
Connection with terminals	-	-	K	-	-

#### Accessories

Filter mat, standard type	ALFAFBPA0				
Filter mat, high efficiency	ALFAFBPA0X				
Thermostat 0-60°C, NO contact	-	-	THV2		
Power cord 1m	-	-	SPINOTTOA2-10	-	-
Fan speed controller	-	-	FSC	-	-
Hood for IP55	CUFF10B				



Specifications, values and drawings are subject to change without notice.



## ALFA15-ALFA16



### TIPS

If you are using the high filtering capacity filter mat remember that air flow rate will decrease.

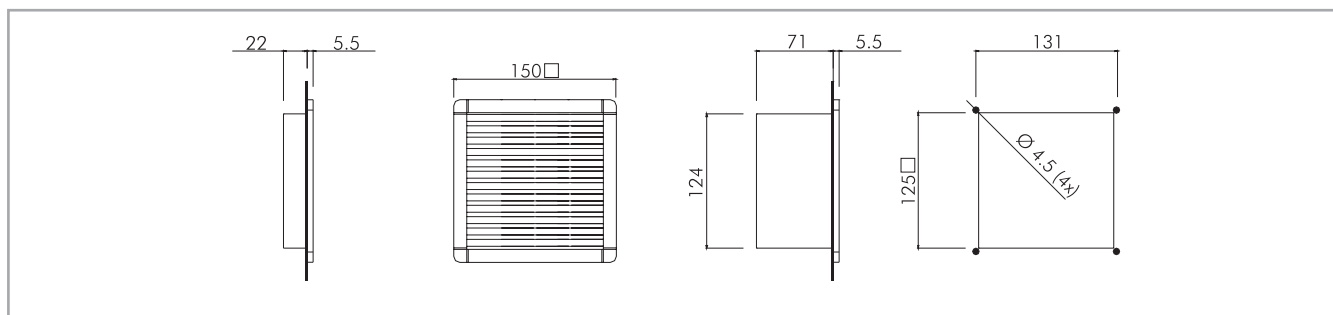
Features	Unit	ALFA1000BPB	ALFA1600BPB	ALFA1610BPB	ALFA1524BPTB	ALFA1548BPTB
Air flow rate (free blow)	m <sup>3</sup> /h	-	55(60)		55	
Flow rate with exit filter	m <sup>3</sup> /h	-	40(45)		40	
Power supply	V/Hz	-	230/50-60	115/50-60	24DC	48DC
Dimensions HxWxD	mm	150x150x28	150x150x77			
Power consumption	W	-	22(21)		9	13
Current consumption	A	-	0.14(0.12)	0.26(0.24)	0.37	0.27
Overcurrent protection	-	-	impedance			
Electric connection	-	-	faston 2.8x0.5 mm		2-pole terminal 1.5 mm <sup>2</sup>	
Duty cycle	-	-	100%			
Operating temperature	°C (°F)	-	-10/+70 (+14/+158)			
Protection degree/class	-	IP54	IP54/Class I			
Noise level	dB(A)	-	43(49)		45	
Flow direction	-	-	outside-in			
Bearing	-	-	ball			
Filter mat EN779	-	-	G3			
Service life (at 40°C)	hr	-	50 000			
Material	-	-	ABS UL94V-0 Color RAL7035			
Wall thickness	mm	-	1.2-2.4			
Gasket	-	-	self-adhesive			
Weight (with packaging)	kg	0.16(0.21)	0.78(0.85)		0.47(0.54)	
Package dimensions	mm	165x165x45	165x165x90			
Mounting	-	-	Fast Clip-on			
Conformity/Certifications	-	-	CE			

### Versions

UL File n. E301228	ALFA1000BPUB	ALFA1600BPUB	ALFA1610BPUB	ALFA1524BPTUB	ALFA1548BPTUB
RAL7032 - Gray - Code ending	delete B				
RAL9005 - Black - Code ending	delete B, add N (available on request)				
EMC - Code ending	M				
Reverse flow - Code ending	-	-	-	PR	-
Connection with terminals	-	-	K	-	-

### Accessories

Filter mat, standard type	ALFAFBP10				
Filter mat, high efficiency	ALFAFBP10X				
Thermostat 0-60°C, NO contact	-	-	-	THV2	-
Power cord 1m	-	-	SPINOTTOA2-10	-	-
Fan speed controller	-	-	FSC	-	-
Hood for IP55	CUFF10B				



Specifications, values and drawings are subject to change without notice.



### ALFAB5



#### TIPS

The filter fan unit can be switched on by a thermostat that will power it only when the temperature exceeds a set threshold (e.g. 35°C). The fan works only when cooling is needed which saves energy, increases the life-time of the filter mat and reduce maintenance frequency.

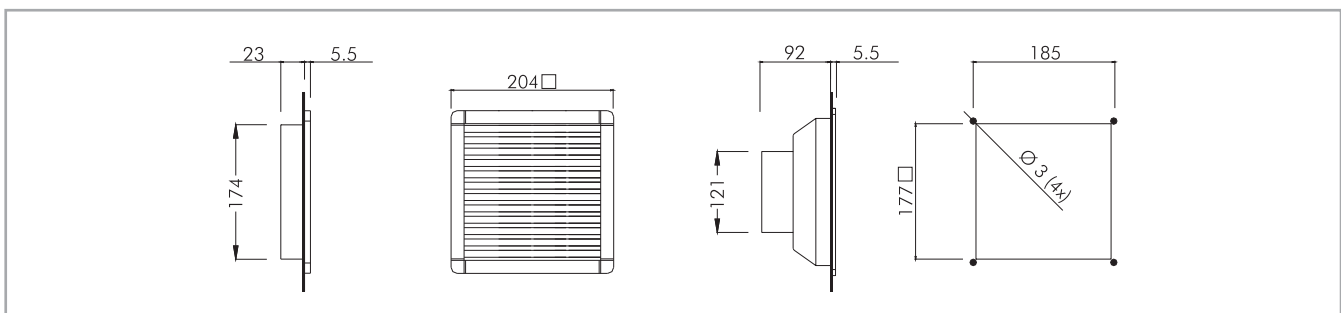
Features	Unit	ALFAB000BPB	ALFAB500BPB	ALFAB510BPB	ALFAB524BPTB	ALFAB548BPTB
Air flow rate (free blow)	m <sup>3</sup> /h	-	110(120)		110	
Flow rate with exit filter	m <sup>3</sup> /h	-	80(92)		80	
Power supply	V/Hz	-	230/50-60	115/50-60	24DC	48DC
Dimensions HxWxD	mm	204x204x29	204x204x98			
Power consumption	W	-	22(21)		9	13
Current consumption	A	-	0.14(0.12)	0.26(0.24)	0.37	0.27
Overcurrent protection	-	-	impedance			
Electric connection	-	-	faston 2.8x0.5 mm		2-pole terminal 1.5 mm <sup>2</sup>	
Duty cycle	-	-	100%			
Operating temperature	°C (°F)	-10/+70 (+14/+158)				
Protection degree/class	-	IP54	IP54/Class I			
Noise level	dB(A)	-	43(49)		45	
Flow direction	-	-	outside-in			
Bearing	-	-	ball			
Filter mat EN779	-	G3				
Service life (at 40°C)	hr	-	50 000			
Material	-	ABS UL94V-0 Color RAL7035				
Wall thickness	mm	1.2-2.4				
Gasket	-	self-adhesive				
Weight (with packaging)	kg	0.26(0.36)	1.00(1.20)		0.70(0.90)	
Package dimensions	mm	220x220x43	220x220x110			
Mounting	-	Fast Clip-on				
Conformity/Certifications	-	CE				

#### Versions

UL File n. E301228	ALFAB000BPUB	ALFAB500BPUB	ALFAB510BPUB	ALFAB524BPTUB	ALFAB548BPTUB
RAL7032 - Gray - Code ending	delete B				
RAL9005 - Black - Code ending	delete B, add N (available on request)				
EMC - Code ending	M				
Reverse flow - Code ending	-	-	-	PR	-
Connection with terminals	-	-	K	-	-

#### Accessories

Filter mat, standard type	ALFABFPB0				
Filter mat, high efficiency	ALFABFPB0X				
Thermostat 0-60°C, NO contact	-	-	THV2	-	-
Power cord 1m	-	-	SPINOTTOA2-10	-	-
Fan speed controller	-	-	FSC	-	-
Hood for IP55	CUFF20B				



Specifications, values and drawings are subject to change without notice.



## ALFA23



### TIPS

DC powered filter fan units can be the best way to prevent EMC interference to monitors and other sensitive equipment inside the enclosure.

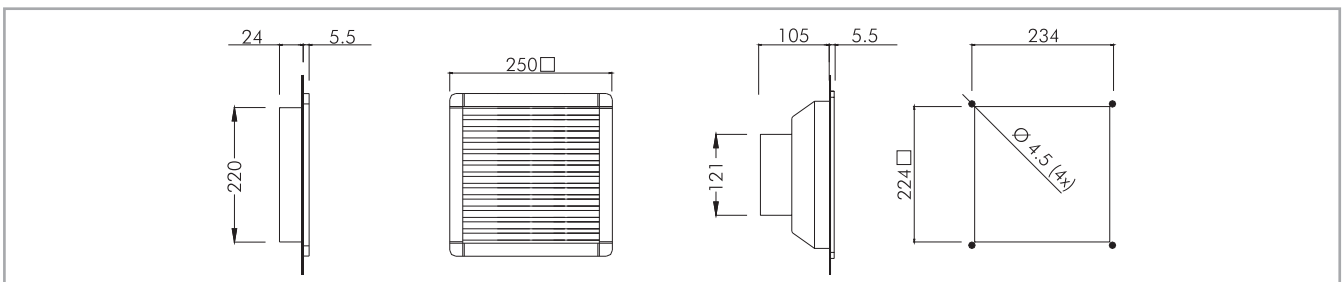
Features	Unit	ALFA2000BPB	ALFA2300BPB	ALFA2310BPB	ALFA2324BPTB	ALFA2348BPTB
Air flow rate (free blow)	m <sup>3</sup> /h	-	120(130)		120	
Flow rate with exit filter	m <sup>3</sup> /h	-	100(110)		100	
Power supply	V/Hz	-	230/50-60	115/50-60	24DC	48DC
Dimensions HxWxD	mm	250x250x30	250x250x111			
Power consumption	W	-	22(21)		9	13
Current consumption	A	-	0.14(0.12)	0.26(0.24)	0.37	0.27
Overcurrent protection	-	-	impedance			
Electric connection	-	-	faston 2.8x0.5 mm		2-pole terminal 1.5 mm <sup>2</sup>	
Duty cycle	-	-	100%			
Operating temperature	°C (°F)	-10/+70 (+14/+158)				
Protection degree/class	-	IP54	IP54/Class I			
Noise level	dB(A)	-	43(49)		45	
Flow direction	-	-	outside-in			
Bearing	-	-	ball			
Filter mat EN779	-	G3				
Service life (at 40°C)	hr	-	50 000			
Material	-	ABS UL94V-0 Color RAL7035				
Wall thickness	mm	1.2-2.4				
Gasket	-	self-adhesive				
Weight (with packaging)	kg	0.42(0.52)	1.20(1.40)		0.90(1.10)	
Package dimensions	mm	270x270x47	270x270x165			
Mounting	-	Fast Clip-on				
Conformity/Certifications	-	CE				

### Versions

UL File n. E301228	ALFA2000BPUB	ALFA2300BPUB	ALFA2310BPUB	ALFA2324BPTUB	ALFA2348BPTUB
RAL7032 - Gray - Code ending	delete B				
RAL9005 - Black - Code ending	delete B, add N (available on request)				
EMC - Code ending	M				
Reverse flow - Code ending	-	PR			
Connection with terminals	-	K	-		

### Accessories

Filter mat, standard type	ALFABP20				
Filter mat, high efficiency	ALFABP20X				
Thermostat 0-60°C, NO contact	-	THV2			
Power cord 1m	-	SPINOTTOA2-10		-	
Fan speed controller	-	FSC		-	
Hood for IP55	CUFF20B				



Specifications, values and drawings are subject to change without notice.



### ALFA25 - ALFA26



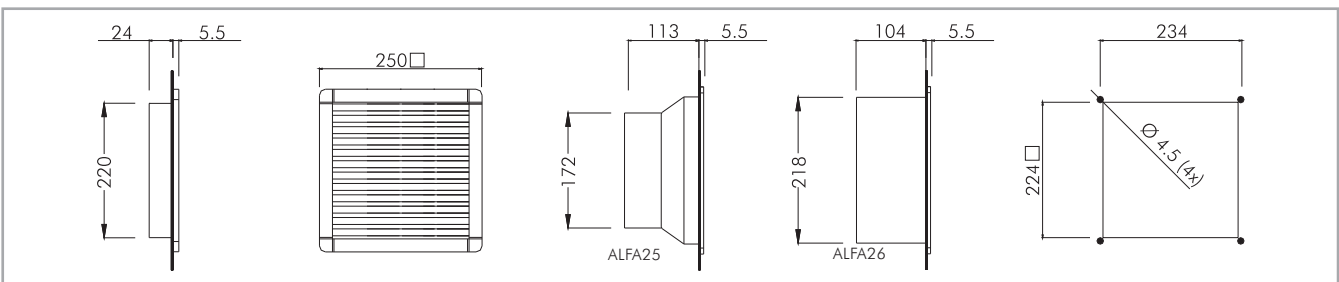
Features	Unit	ALFA2000BPB	ALFA2500BPB	ALFA2510BPB	ALFA2524BPTB	ALFA2548BPTB	ALFA2600BPB	ALFA2610BPB	ALFA2640BPB
Air flow rate (free blow)	m <sup>3</sup> /h	-	230(260)		230		370(400)		
Flow rate with exit filter	m <sup>3</sup> /h	-	180(210)		180		250(270)		
Power supply	V/Hz	-	230/50-60	115/50-60	24DC	48DC	230/50-60	115/50-60	400/50-60
Dimensions HxWxD	mm	250x250x30	250x250x119			250x250x110			
Power consumption	W	-	40(38)		26	33	70(90)		60(70)
Current consumption	A	-	0.17(0.16)	0.34(0.32)	1.08	0.68	0.40(0.38)	0.80(0.76)	0.18(0.15)
Overcurrent protection	-	-	thermal		impedance		thermal		
Electric connection	-	-	3-pole terminal 2.5 mm <sup>2</sup>		2-pole terminal 2.5 mm <sup>2</sup>		3-pole terminal 2.5 mm <sup>2</sup>		4-p.t.2.5 mm <sup>2</sup>
Duty cycle	-	-	100%						
Operating temperature	°C (°F)	-10/+70 (+14/+158)							
Protection degree/class	-	IP54	IP54/Class I						
Noise level	dB(A)	-	53(58)		61		65(68)		
Flow direction	-	-	outside-in						
Bearing	-	-	ball						
Filter mat EN779	-	G3							
Service life (at 40°C)	hr	-	50 000						
Material	-	ABS UL94V-0 Color RAL7035							
Wall thickness	mm	1.2-2.4							
Gasket	-	self-adhesive							
Weight (with packaging)	kg	0.42(0.52)	1.60(1.80)		1.20(1.40)		2.50(2.70)		
Package dimensions	mm	270x270x47	270x270x165						
Mounting	-	Fast Clip-on							
Conformity/Certifications	-	CE							

#### Versions

UL File n. E301228	ALFA2000BPUB	ALFA2500BPUB	ALFA2510BPUB	ALFA2524BPTUB	ALFA2548BPTUB	ALFA2600BPUB	ALFA2610BPUB	-
RAL7032 - Gray - Code ending	delete B							
RAL9005 - Black - Code ending	delete B, add N (available on request)							
EMC - Code ending	M							
Reverse flow - Code ending	-	PR						

#### Accessories

Filter mat, standard type	ALFAFBP20							
Filter mat, high efficiency	ALFAFBP20X							
Thermostat 0-60°C, NO contact	-	THV2						
Hood for IP55	CUFF20B							



Specifications, values and drawings are subject to change without notice.



## ALFA35 - ALFA36



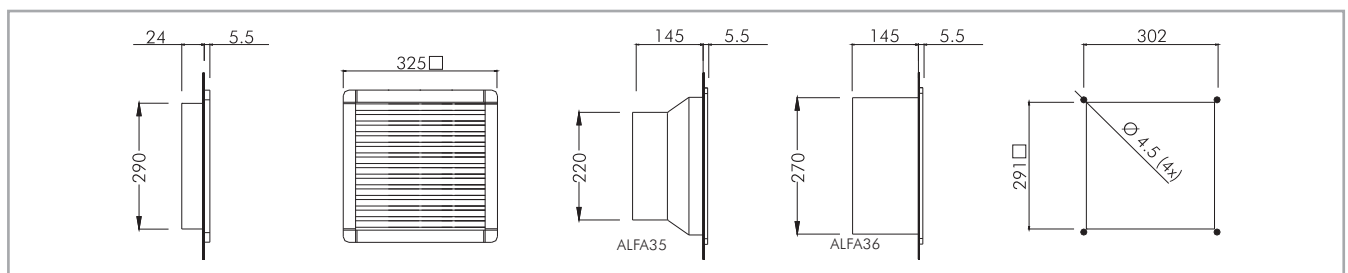
Features	Unit	ALFA3000BPB	ALFA3500BPB	ALFA3510BPB	ALFA3540BPB	ALFA3600BPB	ALFA3610BPB
Air flow rate (free blow)	m <sup>3</sup> /h	-	500 (570)			630 (700)	
Air flow rate with exit filter	m <sup>3</sup> /h	-	370 (410)			470 (520)	
Power supply	V/Hz	-	230 / 50-60	115 / 50-60	400 / 50-60	230 / 50-60	115 / 50-60
Dimensions HxWxD	mm	325x325x30	325x325x151				
Power consumption	W	-	70 (90)		60 (70)	130 (180)	
Current consumption	A	-	0.40 (0.38)	0.80 (0.76)	0.18 (0.15)	0.55 (0.81)	1.10 (1.62)
Overcurrent protection	-	-	thermal				
Electrical connection	-	-	3-poles terminals 2.5mm <sup>2</sup>		4-p.t. 2.5mm <sup>2</sup>	3-poles terminals 2.5mm <sup>2</sup>	
Duty cycle	-	-	100%				
Operating temperature	°C (°F)	-10 / +70 (+14/+158)					
Protection degree / Class	-	IP54	IP54 / Class I				
Noise level	dB(A)	-	65 (68)			72 (73)	
Flow direction	-	-	outside-in				
Bearing	-	-	ball				
Filter mat EN779	-	G3	G3				
Service life (at 40°C)	hr	-	50 000				
Material	-	ABS UL94V-0 color RAL7035					
Wall thickness	mm	1.2 - 2.4					
Gasket	-	self-adhesive					
Weight (with packaging)	kg	0.64 (0.78)	3.00 (3.25)			3.65 (3.90)	
Package dimensions	mm	340x340x50	340x340x180				
Mounting	-	fast clip-on					
Conformity/Certifications	-	CE					

### Versions

UL -  File E301228	ALFA3000BPUB	ALFA3500BPUB	ALFA3510BPUB	-	ALFA3600BPUB	-
RAL7032 - Gray - Code ending	delete B					
RAL9005 - Black - Code ending	delete B, add N (available on request)					
EMC-Code ending	M					
Reverse flow- Code ending	-		PR			-

### Accessories

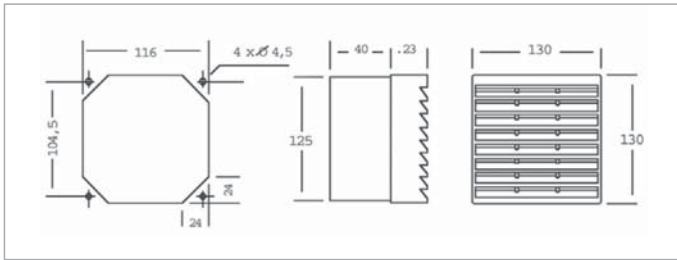
Filter mat, standard type	ALFAFBP30					
Filter mat, high efficiency	ALFAFBP30X					
Thermostat 0-60°C, NO contact	-				THV2	
Hood for IP55	CUFF30B					



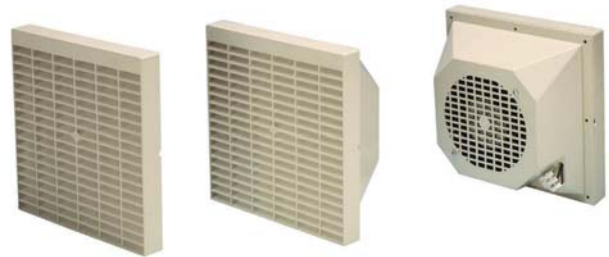
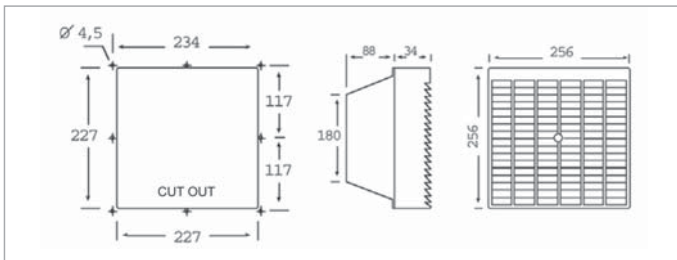
Specifications, values and drawings are subject to change without notice.



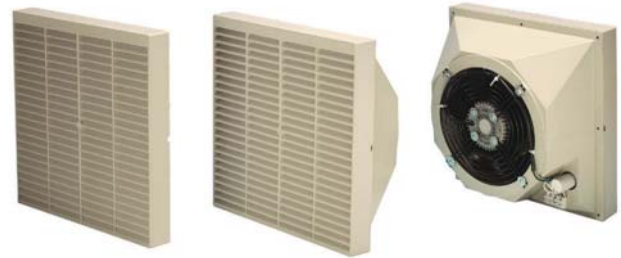
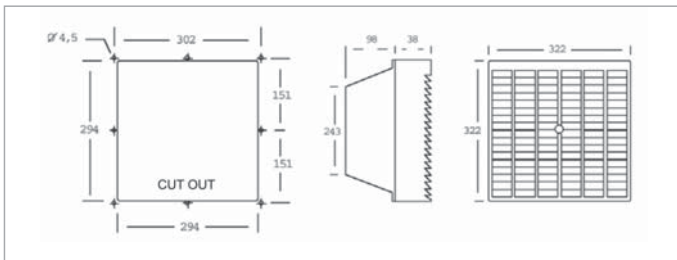
## ALFA 1000 Series



## ALFA 2000 Series



## ALFA 3000 Series



Model	Description	Voltage (V)	Frequency (Hz)	Power (W)	Absorbed current (A)	Noise level dB (A)	Filter fan air volume free blowing m <sup>3</sup> /h	Filter fan air volume with exit filter **m <sup>3</sup> /h
ALFA 1000 AP	Filter 130x130							
ALFA 1524 APT	Filter fan 130x130	24 DC		9	0.37	47	55	40
ALFA 1548 APT	Filter fan 130x130	48 DC		13	0.27	47	55	40
ALFA 1600 AP	Filter fan 130x130	230	50/60	19/18	0.14/0.12	46/50	55/60	40/45
ALFA 1610 AP	Filter fan 130x130	115	50/60	19/18	0.25/0.19	46/50	55/60	40/45
ALFA 2000 AP	Filter 256x256							
ALFA 2324 APT	Filter fan 256x256	24 DC		9	0.37	47	105	80
ALFA 2348 APT	Filter fan 256x256	48DC		13	0.27	47	105	80
ALFA 2400 AP	Filter fan 256x256	230	50/60	19/18	0.14/0.12	47/53	120/130	95/105
ALFA 2410 AP	Filter fan 256x256	115	50/60	19/18	0.25/.019	47/53	120/130	95/105
ALFA 2500 AP	Filter fan 256x256	230	50/60	40/38	0.30/0.27	56/58	230/260	175/200
ALFA 2510 AP	Filter fan 256x256	115	50/60	40/38	0.60/0.55	56/58	230/260	175/200
ALFA 2524 APT	Filter fan 256x256	24 DC		22	1.08	56	230	175
ALFA 2548 APT	Filter fan 256x256	48 DC		33	0.68	56	230	175
ALFA 3000 AP	Filter 325x325							
ALFA 3500 AP	Filter fan 325x325	230	50/60	70/90	0.40/0.38	65/68	480/530	350/380
ALFA 3510 AP	Filter fan 325x325	115	50/60	70/90	0.80/0.76	65/68	480/530	350/380
ALFA 3540 AP	Filter fan 325x325	400-3	50/60	60/70	0.18/0.15	65/68	500/550	350/380

\*\*Jointed an exit filter of equal dimension

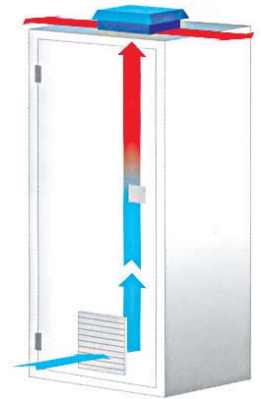
TECHNICAL FEATURES: products comply with directives 73/23/EEC and 89/336/EEC; ball bearing axial fans marked CE (some models available with UL and CSA approval); plastic material self-extinguish ABS V0 RAL 7032/7035 black on request; high efficiency dust filters made of self-extinguish acrylic fibre; protection degree IP54.

Specifications, values and drawings are subject to change without notice.



# Roof fans 600-1000 m<sup>3</sup>/hr

## ALFATORR ROOF FAN AND VENT



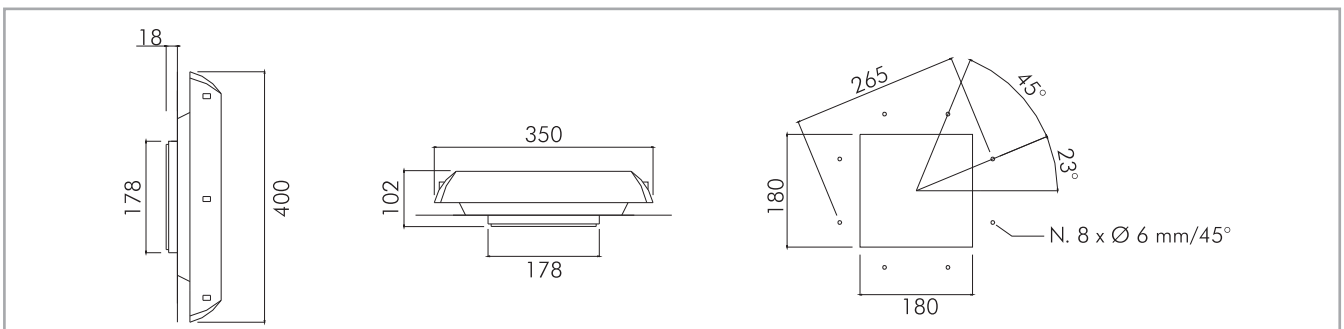
Features	Unit	ALFATORRB	ALFATORR0600B	ALFATORR0610B	ALFATORR0860B	ALFATORR0861B	ALFATORR1000B	ALFATORR1010B
Air flow rate (free blow)	m <sup>3</sup> /h	-	600(625)		860(950)		1000(1050)	
Flow rate with inlet filter	m <sup>3</sup> /h	-	430(450)		580(640)		700(720)	
Power supply	V/Hz	-	230/50-60	115/50-60	230/50-60	115/50-60	230/50-60	115/50-60
Dimensions HxWxD	mm	400x350x102		400x350x102				
Power consumption	W	-	70(90)		85(115)		120(170)	
Current consumption	A	-	0.32(0.40)	0.64(0.80)	0.43(0.50)	0.86(1.00)	0.50(0.75)	1.00(1.50)
Overcurrent protection	-	-	thermal					
Electric connection	-	-	4-pole terminal 2.5 mm <sup>2</sup>					
Duty cycle	-	-	100%					
Operating temperature	°C (°F)	-10/+70 (+14/+158)						
Protection degree enclosure side	-	IP44						
Protection class	-	-	Class I					
Noise level	dB(A)	-	64(65)		72(73)			
Flow direction	-	-	inside-out					
Bearing	-	-	ball					
Service life (at 40°C)	hr	-	50 000					
Material	-	ABS UL94V-0 Color RAL7035						
Gasket	-	self-adhesive						
Weight (with packaging)	kg	2.30(2.50)	3.65(3.85)		4.00(4.20)		4.75(4.95)	
Package dimensions	mm	410x360x130						
Mounting	-	Screws						
Conformity/Certifications	-	CE						

### Versions

UL e-File n. E301228	ALFATORRUB	ALFATORR0600UB	ALFATORR0610UB	ALFATORR0860UB	ALFATORR0861UB	-
RAL7032 - Gray - Code ending						delete B
EMC - Code ending	M					-
IP54 - Code ending					F	

### Accessories

Thermostat 0-60°C, NO contact	-	THV2
Grill with filter mat		ATV5000
Spare filter mat		ALFAFT10



Specifications, values and drawings are subject to change without notice.





## ALFATORR14

### ROOF FANS



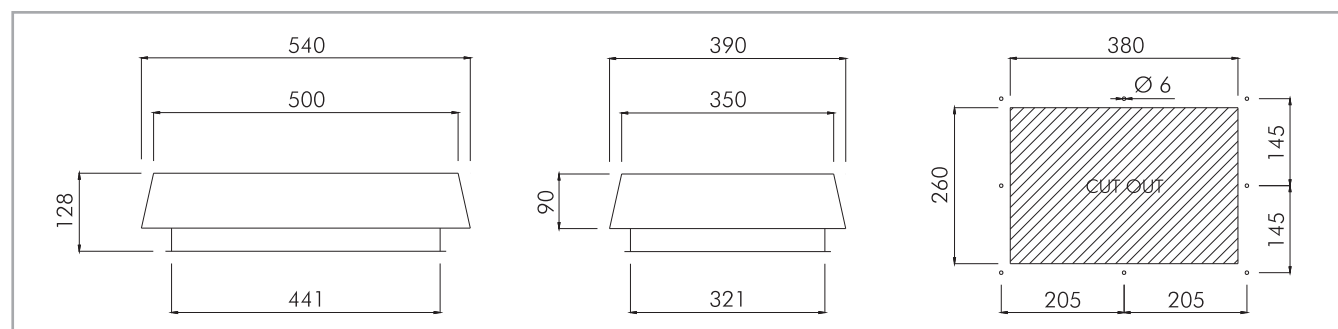
Features	Unit	ALFATORRMETB	ALFATORR1450B	ALFATORR1451B
Air flow rate (free blow)	m <sup>3</sup> /h	-	1500 (1550)	
Air flow rate with exit filter	m <sup>3</sup> /h	-	900 (950)	
Power supply	V/Hz	-	230 / 50-60	115 / 50-60
Dimensions HxWxD	mm	540x390x128		
Power consumption	W	-	160 (215)	
Current consumption	A	-	0.70 (0.98)	1.40 (1.96)
Overcurrent protection	-	-	thermal	
Electrical connection	-	-	4-poles terminals	
Duty cycle	-	-	100%	
Operating temperature	°C (°F)	-20 / +50 (-4/+122)		
Protection degree / Class	-	-	IP44 / Class I	
Noise level	dB(A)	-	74 (75)	
Flow direction	-	-	inside-out	
Bearing	-	-	ball	
Service life (at 40°C)	hr	-	50 000	
Material	-	Metal RAL7035		
Gasket	-	self-adhesive		
Weight (with packaging)	kg	5.2 (5.5)	11.3 (12.3)	
Package dimensions	mm	550x400x140		
Mounting	-	screws		
Conformity/Certifications	-	CE		

### Versions

RAL7032 - Gray - Code ending		delete B
IP54 - Code ending		F

### Accessories

Thermostat 0-60°C, NO contact	-	THV2
Grill with filter mat		ATV5000
Spare filter mat		ALFAFT15



Specifications, values and drawings are subject to change without notice.



# Fan trays 300-450 m<sup>3</sup>/hr

## RACK

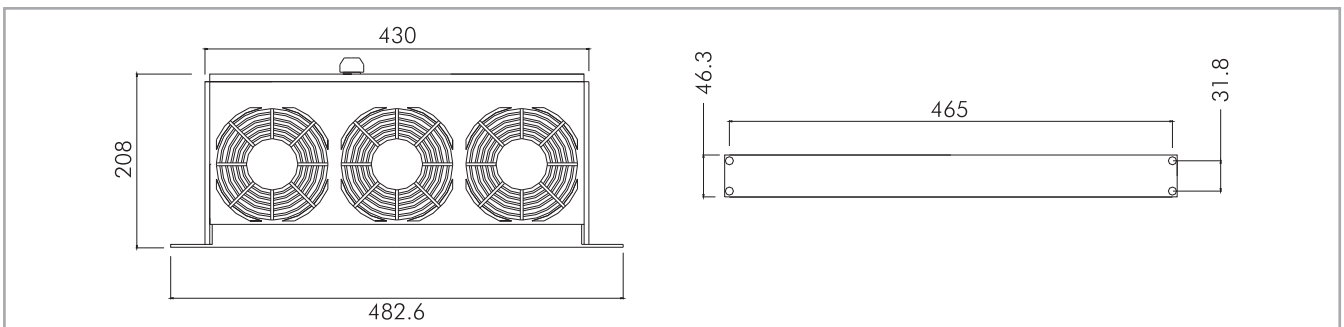
### FAN TRAYS FOR 19" ENCLOSURES



Features	Unit	RACK0222	RACK0212	RACK0224	RACK0248	RACK0322	RACK0312	RACK0324	RACK0348
Air flow rate (free blow)	m <sup>3</sup> /h	300(360)		300		450(540)		450	
Power supply	V/Hz	230/50-60	115/50-60	24DC	48DC	230/50-60	115/50-60	24DC	48DC
Dimensions HxWxD	mm	482x44x208							
Power consumption	W	36(34)		18	28	54(51)		27	42
Current consumption	A	0.26(0.22)	0.48(0.36)	0.75	0.58	0.39(0.33)	0.72(1.08)	1.12	0.88
Overcurrent protection	-	impedance							
Electric connection	-	3-pole terminal 2.5 mm <sup>2</sup>							
Duty cycle	-	100%							
Operating temperature	°C (°F)	-10/+70 (+14/+158)							
Protection degree/class	-	IP30/Class I							
Noise level	dB(A)	51(52)							
Flow direction	-	bottom to top							
Bearing	-	ball							
Service life (at 40°C)	hr	50 000							
Material	-	PC-ABS UL94V-0 Color RAL7035							
Weight (with packaging)	kg	2.10(2.30)		1.60(1.80)		2.60(2.80)		1.85(2.05)	
Package dimensions	mm	510x220x65							
Mounting	-	Screws							
Conformity/Certifications	-	CE							

#### Accessories

Thermostat 0-60°C, NO contact				THV2	
Fan speed controller	FSC		-	FSC	-



Specifications, values and drawings are subject to change without notice.



## AC/DC FANS



### AC FANS

Code	m <sup>3</sup> /hr	Bearing	Power supply V/Hz	Connection	Dim. mm.
V1081BT230VAC	160	ball	220-240/50-60	fast-on	119x119x38
V1081BT115VAC	160	ball	110-120/50-60	fast-on	119x119x38
V1081BT24VAC	160	ball	24/50-60	fast-on	119x119x38
V1081BT48VAC	160	ball	48/50-60	fast-on	119x119x38
V1081ST230VAC	160	sleeve	220-240/50-60	fast-on	119x119x38
V1081ST115VAC	160	sleeve	110-120/50-60	fast-on	119x119x38
V1081ST24VAC	160	sleeve	24/50-60	fast-on	119x119x38
V1081ST48VAC	160	sleeve	48/50-60	fast-on	119x119x38
V1087BT230VAC	190	ball	220-240/50-60	fast-on	127x127x38
V1087BT115VAC	190	ball	110-120/50-60	fast-on	127x127x38
V108XBT230VAC	105	ball	220-240/50-60	fast-on	120x120x25
V108XBT115VAC	105	ball	110-120/50-60	fast-on	120x120x25
V108JCSW230VA	65	sleeve	220-240/50-60	wires	92x92x38
V108JCSW115VA	65	sleeve	110-120/50-60	wires	92x92x38
V108JCBT230VA	65	ball	220-240/50-60	fast-on	92x92x38
V108JCBT115VA	65	ball	110-120/50-60	fast-on	92x92x38
V108BBT230VAC	50	ball	220-240/50-60	fast-on	92x92x25
V108BBT115VAC	50	ball	110-120/50-60	fast-on	92x92x25
V108BST230VAC	50	sleeve	220-240/50-60	fast-on	92x92x25
V108BST115VAC	50	sleeve	110-120/50-60	fast-on	92x92x25
V108ABT230VAC	45	ball	220-240/50-60	fast-on	80x80x38
V108ABW230VAC	45	ball	220-240/50-60	wires	80x80x38
V108ABT115VAC	45	ball	110-120/50-60	fast-on	80x80x38
V108AST230VAC	45	sleeve	220-240/50-60	fast-on	80x80x38
V108AST115VAC	45	sleeve	110-120/50-60	fast-on	80x80x38
V108AXBT230VA	35	ball	220-240/50-60	fast-on	80x80x25
V108AXBW230VA	35	ball	220-240/50-60	wires	80x80x25
V108AXBT115VA	35	ball	110-120/50-60	fast-on	80x80x25
V108AXST230VA	35	sleeve	220-240/50-60	fast-on	80x80x25
V108AXST115VA	35	sleeve	110-120/50-60	fast-on	80x80x25
V108EXBT230VA	325	ball	220-240/50-60	fast-on	172x150x51
V108EXBW230VA	325	ball	220-240/50-60	wires	172x150x51
V108EXBT115VA	325	sleeve	110-120/50-60	fast-on	172x150x51
V108EXBW115VA	325	ball	110-120/50-60	wires	172x150x51
V108EXST230VA	325	sleeve	220-240/50-60	fast-on	172x150x51
V108EXST115VA	325	ball	110-120/50-60	fast-on	172x150x51
V108EXMBT230V	340	ball	220-240/50-60	fast-on	172x150x38
V108EXMBT115V	340	ball	110-120/50-60	fast-on	172x150x38
V108CBW230VA	350	ball	220-240/50-60	wires	162x150x55
V108CBW115VA	350	ball	110-120/50-60	wires	162x150x55
V108KBW230VAC	600	ball	220-240/50	wires	220x60
V108KBW115VAC	600	ball	110-120/50	wires	220x60
V108HHBT230VA	800	ball	220-240/50-60	fast-on	254x89
V108HHBT115VA	800	ball	110-120/50-60	fast-on	254x89

### DC FANS

Code	m <sup>3</sup> /hr	Bearing	Power supply V/Hz	Connection	Dim. mm.
V108EXBW24VDC	460	ball	24 DC	wires	172x150x51
V108EXBW48VDC	460	ball	48 DC	wires	172x150x51
V1087BW24VDC	240	ball	24 DC	wires	127x127x38
V1087BW48VDC	240	ball	48 DC	wires	127x127x38
V1081BW12VDC	180	ball	12 DC	wires	119x119x38
V1081BW24VDC	180	ball	24 DC	wires	119x119x38
V1081BW48VDC	180	ball	48 DC	wires	119x119x38
V1081SW12VDC	180	sleeve	12 DC	wires	119x119x38
V1081SW24VDC	180	sleeve	24 DC	wires	119x119x38
V1081SW48VDC	180	sleeve	48 DC	wires	119x119x38
V108MBW12VDC	150	ball	12 DC	wires	120x120x25
V108MBW24VDC	150	ball	24 DC	wires	120x120x25
V108MSW12VDC	150	sleeve	12 DC	wires	120x120x25
V108MSW24VDC	150	sleeve	24 DC	wires	120x120x25
V108BBW24VDC	100	ball	24 DC	wires	92x92x25
V108DBW12VDC	65	ball	12 DC	wires	80x80x25
V108DBW24VDC	65	ball	24 DC	wires	80x80x25
V108DSW12VDC	65	sleeve	12 DC	wires	80x80x25
V108DSW24VDC	65	sleeve	24 DC	wires	80x80x25
V108FSW24VDC	35	sleeve	24 DC	wires	60x60x25
V108GBW24VDC	15	ball	24 DC	wires	40x40x20

Specifications, values and drawings are subject to change without notice.



## ALFAKF

### COMPACT FILTER UNITS

Suitable for direct screw mounting on axial fans. They can also be mounted with the fan inside the enclosure.

The mounting holes have diameter  $\varnothing 6.0-6.5$  mm. The material is black ABS, self-extinguishing, according to UL94 V-O.

Code	Description	Dim. mm.	Pcs in 1 pack
ALFAKF060	Compact filter unit	60x60	1
ALFAKF080	Compact filter unit	80x80	1
ALFAKF092	Compact filter unit	92x92	1
ALFAKF120	Compact filter unit	120x120	1
ALFAKF150	Compact filter unit	150x150	1



## ALFAKR120

### COMPACT FILTER UNITS - HIGH PERFORMANCE

Compact filter unit with reduced pressure drop. Filter media, steel or acrylic, is easy accessible and cleanable. Available in three versions:

Code	Description	Dim. mm.	Pcs in 1 pack
ALFAKR120	Compact filter unit w/ standard filter mat	125x125x10	20
ALFAKR120R	Compact filter unit w/metallic filter mesh	125x125x10	20
ALFAKR120RF	Compact filter unit w/standard filter mat and metallic filter mesh	125x125x10	20



## SPINOTTO

### FAN POWER CORDS

Suitable to all fast-on connection fans. Black cable with injection moulded straight plug for 2,8x0,5 mm pins.

Code	Description	Pcs in 1 pack
SPINOTTOA2-06	Straight power cord 600 mm.	1
SPINOTTOA2-10	Straight power cord 1000 mm.	1
SPINOTTOA2-20	Straight power cord 2000 mm.	1



Specifications, values and drawings are subject to change without notice.



## ATVF - ALFAF

### Spare filter mats for filter fans

Standard filter mats for filter fans and filter only units. To keep high performance it is necessary to periodically check the level of filter mat clogging and, if necessary, replace it with a new one. These filters are made of self-extinguishing synthetic fibres with a progressive filtering capacity.

Code	Description	Pcs in 1 pack
ATVF1	Filter mat for ATV1	10
ATVF2	Filter mat for ATV2	10
ATVF3	Filter mat for ATV3	10
ATVF4	Filter mat for ATV4	10
ATVF5	Filter mat for ATV5	10



Code	Description	Pcs in 1 pack
ALFABPA0	Filter mat for ALFAA000BPB	10
ALFABP10	Filter mat for ALFA1000BPB	10
ALFABPBO	Filter mat for ALFAB000BPB	10
ALFABP20	Filter mat for ALFA2000BPB	10
ALFABP30	Filter mat for ALFA3000BPB	10

### High efficiency spare filter mats for filter fans

High efficiency filter mats are used in is very fine dust environments. However, air flow rates is substantially reduced and should be accounted for when selecting the filter fan.

Code	Description	Pcs in 1 pack
ATVF1X	Filter mat for ATV1, high efficiency	10
ATVF2X	Filter mat for ATV2, high efficiency	10
ATVF3X	Filter mat for ATV3, high efficiency	10
ATVF4X	Filter mat for ATV4, high efficiency	10
ATVF5X	Filter mat for ATV5, high efficiency	10

Code	Description	Pcs in 1 pack
ALFAFT10	Filter mat for ALFATORR0600B-1010B	5
ALFAFT15	Filter mat for ALFATORR1450B-1451B	5

Code	Description	Pcs in 1 pack
ALFABPAOX	Filter mat for ALFAA000BPB, high efficiency	10
ALFABP1OX	Filter mat for ALFA1000BPB, high efficiency	10
ALFABPBOX	Filter mat for ALFAB000BPB, high efficiency	10
ALFABP2OX	Filter mat for ALFA2000BPB, high efficiency	10
ALFABP3OX	Filter mat for ALFA3000BPB, high efficiency	10

## GRV190/GRV250

Grilled shroud for radial fans. They allow safe operation and increased air flow rate on radial fans.

Features	Unit	GRV190	GRV250
a	mm	170	214
b	mm	156	196
c	mm	5.8	5
d	mm	13	15
e	mm	130	166

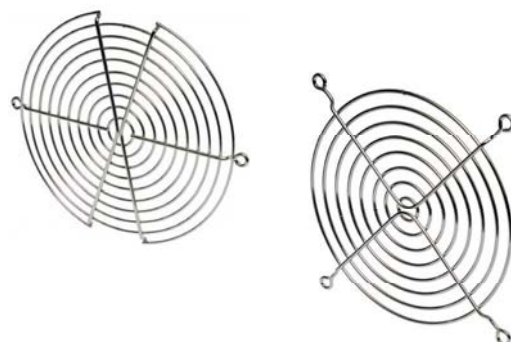


## ALFAGM

### METALLIC PROTECTION GRILLS

Finger guard metallic protection grills for axial fans. Range Ø 40-254 mm. Complying with international safety norms.

Code	Description	Dim. mm.	Pcs in 1 pack
ALFAGM040	Metallic finger protection grill	Ø 40	100
ALFAGM060	Metallic finger protection grill	Ø 60	100
ALFAGM080	Metallic finger protection grill	Ø 80	100
ALFAGM092	Metallic finger protection grill	Ø 92	100
ALFAGM120	Metallic finger protection grill	Ø 120	100
ALFAGM127	Metallic finger protection grill	Ø 127	100
ALFAGM150	Metallic finger protection grill	Ø 150	100
ALFAGM220	Metallic finger protection grill	Ø 220	100
ALFAGM254	Metallic finger protection grill	Ø 254	100



Specifications, values and drawings are subject to change without notice.