

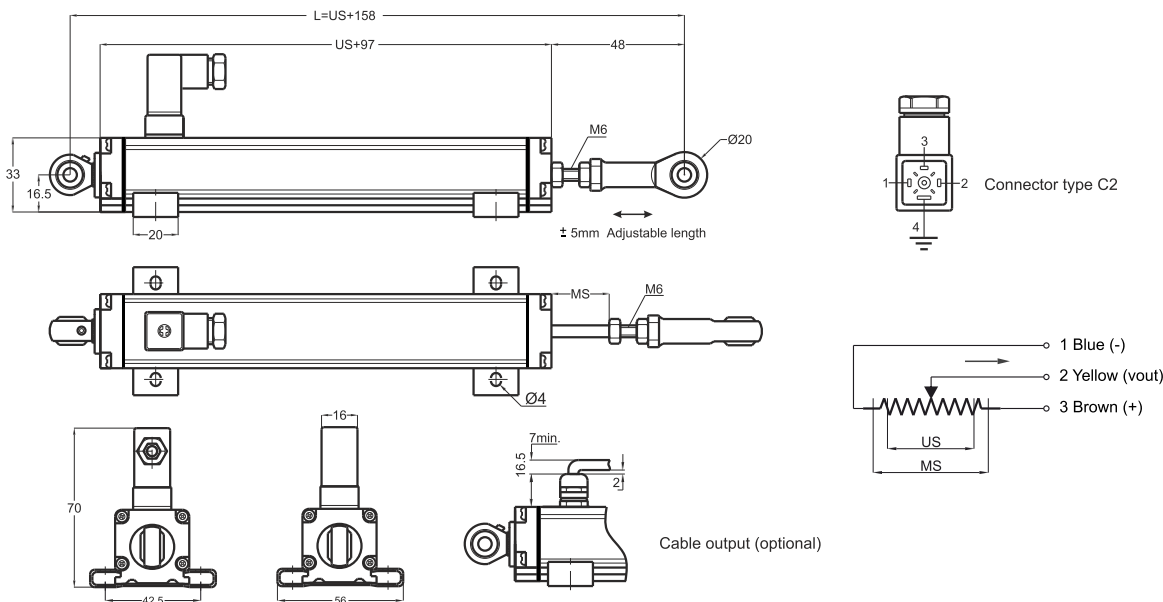
Linear potentiometers Standard series

- Measuring range 50 - 600 mm
- Long mechanical life 100 million cycles
- Excellent repeatability <0.01 mm
- Infinite resolution
- 5 KOhm or 10 KOhm



Technical specifications

Measurement stroke	50 to 600 mm
Linearity	± %0,05 (>200mm), ±%0,1 (130-200mm), ±%0,2 (75 - 130mm), ±%0,5 (<75mm)
Repeatability	< 0.01 mm
Resolution	Infinite
Resistance	5 KOhm or 10 KOhm
Resistance tolerance	± %20
Load resistance	100 KOhm min.
Recommended cursor current	<1 µA
Permissible applied voltage	28 VDC max.
Electrical connections	4 pin connector (standard)
Displacement speed	< 5 m/s
Mechanical life	100 million cycles
Case dimensions	33 mm x 33 mm
Case material	Anodized aluminium
Rod material	Stainless steel
Rod diameter	Ø6 mm
Mechanical fixing	Ball joints on the both side
IP degree	IP 65
Operating temperature	-20°C ... +80°C
Storage temperature	-30°C ... +90°C



LPM (mm)	50	75	100	125	130	150	175	200	225	250	275	300	325	350	375	400	450	500	550	600
US (Usefull Stroke)	50	75	100	125	130	150	175	200	225	250	275	300	325	350	375	400	450	500	550	600
MS (Mechanical Stroke)	53	78	103	128	133	153	178	203	228	253	278	303	328	353	378	403	453	503	553	603
L (Total Length)	208	233	258	283	288	308	333	358	383	408	443	458	483	508	533	558	608	658	708	758

Model	Measurement stroke (mm)	Linearity (%)	Resistance (KOhm)	Connector / Cable
(example) LPM	500	D	5K	C2
LPM	50 ... 600 mm	D : ± %0,05 (standard)	5K : 5 KOhm 10K : 10 KOhm	C2 : 4 pin connector 1M : 1 meter cable 2M5 : 2,5 meter cable