

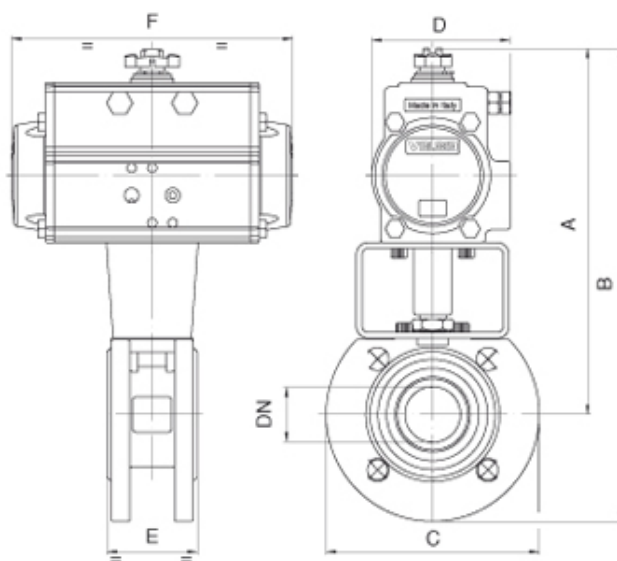


Serie **2 vie**

Articolo **8P004100 - 8P004200**

2 way "WAFER" ball valve [Valpres Art. 720232], flanged ANSI 300, carbon steel ASTM A105 with ball and stem in stainless steel AISI 304, with actuator.

PRESSIONE MINIMA ALIMENTAZIONE ATTUATORE 6 bar actuator air supply pressure minimum 6 bar



Art. 8P004100

VALVOLA CON ATTUATORE DOPPIO EFFETTO VALVE WITH DOUBLE ACTING ACTUATOR

DN	1/2"	3/4"	1"	1"1/4	1"1/2	2"	2"1/2	3"	4"	6"
PN	50	50	50	50	50	50	50	50	50	50
A	187	206	212	212	249	277	325	368	398	513
B	235	266	272	277	324	359	420	473	525	673
C	95	120	120	130	150	165	190	210	254	320
D	71	81	81	81	95	106	123	137	148	213
E	35	40	46	54	64	82	103	122	152	232
F	141	164	164	164	210	241	275	333	372	493
ACT.	DA 52	DA 63	DA 63	DA 63	DA 75	DA 85	DA 100	DA 115	DA 125	DA 180
RI	3805	3806	3807	3808	4244	3809	3810	3817	3811	3195

Art. 8P004200

VALVOLA CON ATTUATORE SEMPLICE EFFETTO VALVE WITH SPRING RETURN ACTUATOR

DN	1/2"	3/4"	1"	1"1/4	1"1/2	2"	2"1/2	3"	4"	6"
PN	50	50	50	50	50	50	50	50	50	50
A	199	238	244	244	276	324	371	379	445	625
B	247	298	304	309	351	406	466	484	572	785
C	95	120	120	130	150	165	190	210	254	320
D	81	106	106	106	123	137	148	148	186	249
E	35	40	46	54	64	82	103	122	152	232
F	164	241	241	241	275	333	372	372	500	690
ACT.	SR 63	SR 85	SR 85	SR 85	SR 100	SR115	SR 125	SR 125	SR 160	SR 230
RI	3812	3813	3814	3815	4244	3816	3817	3817	3818	3819

