



- Flexible: modular structure and 3 sizes enable customer-specific versions
- Lightweight enclosure made from glass fibre reinforced polyester resin (GRP), suitable for shipping industry and offshore
- Versions with contact elements 8082 and 8208, usable up to SIL 2 and/or SIL 3

WebCode **8040B**



With the R. STAHL Series 8040 control device system, you can get a clear overview of the control devices. The 3 combinable design sizes and the modular structure offer flexibility. You can choose from one standard version and customised variants. The 8208 contact elements monitor the systems for wire breakage and short circuit. The 8208 contact elements monitor the systems for wire breakage and short circuit.

Technical Data

Explosion Protection

Application range (zones)	1 2 21 22
IECEX gas certificate	IECEX PTB 06.0025
ATEX gas certificate	PTB 01 ATEX 1105
IECEX dust certificate	IECEX PTB 06.0025
ATEX dust certificate	PTB 01 ATEX 1105
Certificate EAC	TS RU S-DE.AA71.B.00115
Ambient temperature °C	-60 ... +40 °C
Gas explosion protection IECEx	Ex db eb IIC T6 Gb
Gas explosion protection ATEX	⊕ II 2 G Ex db eb IIC T6 Gb
Gas explosion protection EAC	1 Ex d e IIC T6 Gb X
Dust explosion protection IECEx	Ex tb IIIC T80 °C Db
Dust explosion protection ATEX	⊕ II 2 D Ex tb IIIC T80 °C Db
Dust explosion protection EAC	Ex tb IIIC T80 °C Db X
Ambient temperature °C 2	-60 ... +55 °C
Gas explosion protection IECEx 2	Ex db eb IIC T5 Gb
Gas explosion protection ATEX 2	⊕ II 2 G Ex db eb IIC T5 Gb
Dust explosion protection IECEx 2	Ex tb IIIC T95 °C Db
Dust Explosion Protection ATEX 2	⊕ II 2 D Ex tb IIIC T95 °C Db
Certificates	ATEX (PTB), Brazil (ULB), China (CQST), EAC (LPE), IECEx (PTB), India (PESO), Korea (KGS), Taiwan (ITRI)
Ship approval	GL

Electrical Data

Rated operational voltage AC	0 – 500 V
------------------------------	-----------

8040/1180X-10L07SA05 Art. No. 130679

Electrical Data

Rated operational voltage AC	500 V
Rated operational current	10 A
Rated operational current	0 – 10 A

Ambient Conditions

Ambient temperature °C 2	-60 ... +55 °C
Ambient temperature	-60 °C ... +40 °C -60 °C ... +55 °C

Mechanical Data

Degree of protection (IP)	IP66
Degree of protection note	acc. to IEC/EN 60529
Enclosure material	Polyester resin, Glass fibre reinforced
Silicone-free	No
Cover fixing type	With captive screws, M4 stainless steel screws
Seal	Silicone, foamed
Weight	0.4 kg

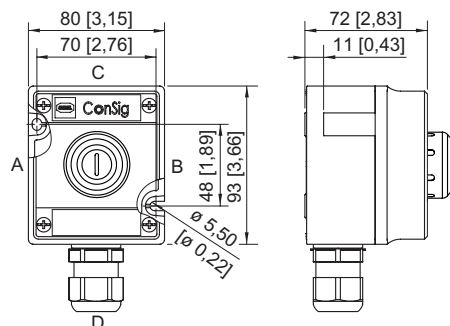
Components

Installation position middle	EM-STOP mushroom stay-put but. Red - (rotating arrow)
Built-in element middle	Contact element NC / NO
Number of poles on centre built-in element	2
Flange and plates	Without flange, without plates
Screw connections	1 x M25 Ø 7 to 17 mm
Entry type	Standard 8161, moulded material

Technical Drawings



Dimensional Drawings (All Dimensions in mm [inches]) – Subject to Alterations



ConSig 8040/11

We reserve the right to make alterations to the technical data, dimensions, weights, designs and products available without notice. The illustrations cannot be considered binding.