

PRESSURE REDUCING REGULATOR

PRU200

Technical Data

For using gas and liquid
 Inlet pressure: 600, 3500 Psig maximum
 Adjustable outlet pressure in ranges: 150, 250, 500 Psig
 Operating temperature: -60 to 150°C
 Diaphragm material: 316L stainless steel
 Body material: 316L stainless steel
 Seat material: Teflon, PFA, and Special Teflon Seat available
 CV flow coefficients: 1.0
 Process connection: ½”NPT female
 Two gauge connection ports are: ¼”NPT female
 Use no oil: available



Plastic Knob

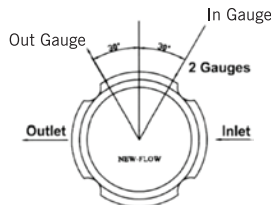


Metal Knob

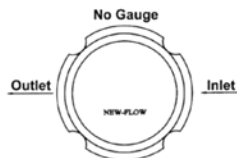
Approvals:

CE 1128

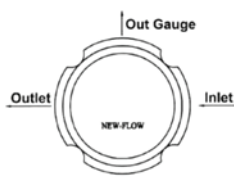
Standard Port Configuration



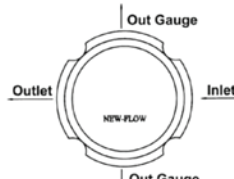
A



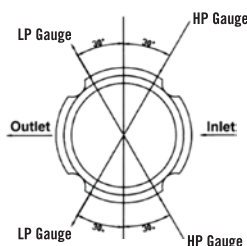
B



C

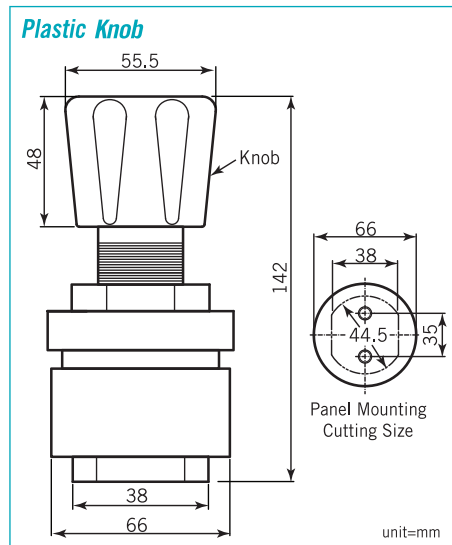


D

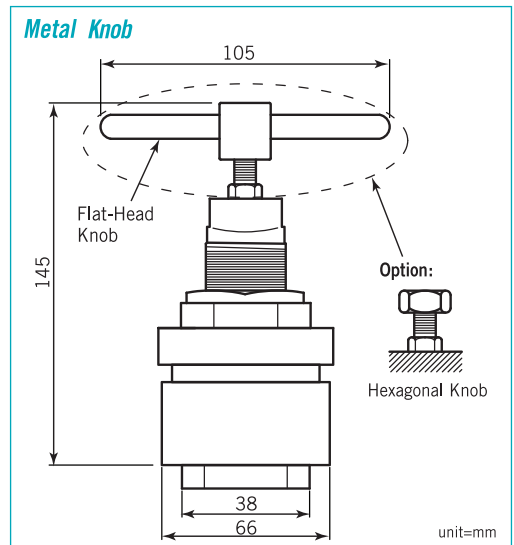


E

Dimensions



unit=mm



unit=mm

Ordering Information

PRU200	Code	Body Material					
	1	316L Stainless Steel					
	A	Code	Knob Material				
		A	Plastic	B	Metal (Flat-Head)	C	Metal (Hexagonal)
		Code	Max. Inlet Pressure				
	1	600 Psig					
	2	3500 Psig					
	1	Code	Outlet Pressure Range				
		1	2-150 Psig	2	3-250 Psig	3	5-500 Psig
		Code	Seat Material / Max. Inlet Pressure / Temp. Limit				
A	Teflon / 600 Psig / -20°C~+80°C						
B	PFA / 3500 Psig / -20°C~+150°C						
C	Special Teflon Seat / 3500 Psig / -60°C~+80°C						
A	Code	Port Configuration					
	A	B	C	D	E		
PRU200							Complete Ordering Code