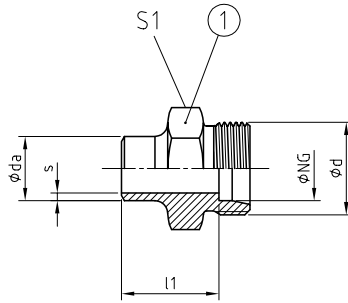


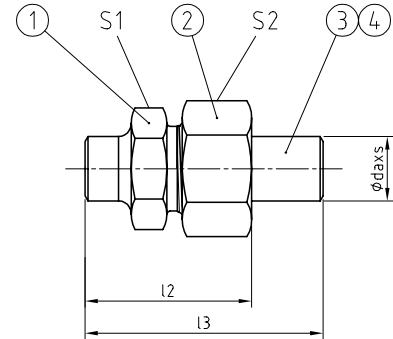
2



GAV [Pos. 1]



GAV [Pos. 1-4]



AVIT ≈ ISO 8434-1

BAUREIHE / SERIES: L = LIGHT / S = HEAVY

Die wirtschaftlichste Rohranschlussmöglichkeit.
Rohranschluss mit 24° Konusanschluss mit metrischem Gewinde nach ISO 8434-1.

The most economical solution for tube and pipe connections. Tube connection with 24° cone end with metric thread acc. to ISO 8434-1.

WERKSTOFF-KOMBINATION
MATERIAL COMBINATION

Werkstoff, Oberfläche / Material, Surface	TYP NG - daxs - **
Stahl, Mutter verzinkt / Steel, union nut galvanised; NBR	GAV 25 - daxs - 01
Stahl, Mutter verzinkt / Steel, union nut galvanised; FKM	GAV 25 - daxs - 02
Stahl, Mutter phosphatiert / Steel, union nut phosphatised; NBR	GAV 25 - daxs - 04
Stahl, Mutter phosphatiert / Steel, union nut phosphatised; FKM	GAV 25 - daxs - 05
Edelstahl 1.4571 / Stainless steel AISI 316Ti; NBR	GAV 25 - daxs - 41
Edelstahl 1.4571 / Stainless steel AISI 316Ti; FKM	GAV 25 - daxs - 42

BESTELLBEISPIEL
ORDER EXAMPLE

STÜCKLISTE
PARTS LIST

Pos.	Bezeichnung / Description
1	Schweißstutzen / Welding stud
2	Überwurfmutter / Union nut
3	24° Schweißkegel / 24° weld-on nipple
4	O-Ring Dichtung / O-ring sealing

REIHE SERIES	PN [bar]	NG [mm]	ABMESSUNGEN [mm] DIMENSIONS					GEWICHT WEIGHT		BESTELLCODE ORDER CODE		
			daxs	d	l1	l2 _{ca}	l3	S1	S2	[kg]	Pos. 1	Pos. 1-4
L	100	15	15x1,5	M22x1,5	22	39	59	22	27	0,041	GAV 15x1,5	GAV 15x1,5-daxs
	160		15x2,0								GAV 15x2	GAV 15x2-daxs
	100	18	18x1,5	M26x1,5	23,5	43	62	27	32	0,063	GAV 18x1,5	GAV 18x1,5-daxs
	160		18x2,0								GAV 18x2	GAV 18x2-daxs
	160		18x2,5								GAV 18x2,5	GAV 18x2,5-daxs
	160		18x3,0								GAV 18x3	GAV 18x3-daxs
	160		18x4,0								GAV 18x4	GAV 18x4-daxs
	100	22	22x2,0	M30x2,0	28,5	47	68	32	36	0,095	GAV 22x2	GAV 22x2-daxs
	160		22x2,5								GAV 22x2,5	GAV 22x2,5-daxs
	160		22x3,0								GAV 22x3	GAV 22x3-daxs
	160		22x4,0								GAV 22x4	GAV 22x4-daxs
	100	28	28x2,0	M36x2,0	30,5	50	74	41	41	0,155	GAV 28x2	GAV 28x2-daxs
	100		28x2,5								GAV 28x2,5	GAV 28x2,5-daxs
	100		28x3,0								GAV 28x3	GAV 28x3-daxs
	160		28x4,0								GAV 28x4	GAV 28x4-daxs
	100	35	35x3,0	M45x2,0	33,5	58	85	46	50	0,237	GAV 35x3	GAV 35x3-daxs
160	35x4,0		GAV 35x4								GAV 35x4-daxs	
100	42	42x3,0	M52x2,0	35	60	86	55	60	0,312	GAV 42x3	GAV 42x3-daxs	
160		42x4,0								GAV 42x4	GAV 42x4-daxs	
S	160	10	10x1,0	M18x1,5	22,5	40	56	19	22	0,034	GAV 10x1	GAV 10x1-daxs
	250		10x1,5								GAV 10x1,5	GAV 10x1,5-daxs
	400		10x2,0								GAV 10x2	GAV 10x2-daxs
	630		10x2,5								GAV 10x2,5	GAV 10x2,5-daxs
	160		12x1,5								M20x1,5	28,5
	320	12x2,0	GAV 12x2	GAV 12x2-daxs								

Fortsetzung nächste Seite | Continued on next page

REIHE SERIES	PN [bar]	NG [mm]	NPS [inch]	ABMESSUNGEN [mm] DIMENSIONS							GEWICHT WEIGHT [kg]	BESTELLCODE ORDER CODE	
				daxs	d	l1	l2	l3	S1	S2		Pos. 1	Pos. 1-4 daxs
S	400	12	-	12x2,5	M20x1,5	28,5	46	63	22	24	0,051	GAV 12x2,5	GAV 12x2,5-daxs
	630		-	12x3,0							0,53	GAV 12x3	GAV 12x3-daxs
	250	16	¼"	13,5x1,8	M24x1,5	31,5	52	74	27	30	0,079	GAV 16>13,5x1,8	GAV 16>13,5x1,8-daxs
	320		¼"	13,5x2,6							0,086	GAV 16>13,5x2,6	GAV 16>13,5x2,6-daxs
	250		¼"	13,7x2,2							0,082	GAV 16>13,7x2,2	GAV 16>13,7x2,2-daxs
	320		¼"	13,7x3,0							0,086	GAV 16>13,7x3	GAV 16>13,7x3-daxs
	160		-	16x1,5							0,076	GAV 16x1,5	GAV 16x1,5-daxs
	250		-	16x2,0							0,079	GAV 16x2	GAV 16x2-daxs
	320		-	16x2,5							0,084	GAV 16x2,5	GAV 16x2,5-daxs
	400		-	16x3,0							0,086	GAV 16x3	GAV 16x3-daxs
	160	20	¾"	17,2x2,0	M30x2,0	33,5	57	80	32	36	0,132	GAV 20>17,2x2	GAV 20>17,2x2-daxs
	250		¾"	17,2x2,3							0,135	GAV 20>17,2x2,3	GAV 20>17,2x2,3-daxs
	320		¾"	17,2x2,6							0,137	GAV 20>17,2x2,6	GAV 20>17,2x2,6-daxs
	400		¾"	17,2x3,2							0,143	GAV 20>17,2x3,2	GAV 20>17,2x3,2-daxs
	160		-	20x2,0							0,123	GAV 20x2	GAV 20x2-daxs
	250		-	20x2,5							0,131	GAV 20x2,5	GAV 20x2,5-daxs
	320		-	20x3,0							0,137	GAV 20x3	GAV 20x3-daxs
	400		-	20x4,0							0,145	GAV 20x4	GAV 20x4-daxs
	160	25	½"	21,3x2,0	M36x2,0	38	65	93	41	46	0,226	GAV 25>21,3x2	GAV 25>21,3x2-daxs
	250		½"	21,3x2,6							0,235	GAV 25>21,3x2,6	GAV 25>21,3x2,6-daxs
	250		½"	21,3x2,9							0,239	GAV 25>21,3x2,9	GAV 25>21,3x2,9-daxs
	320		½"	21,3x3,7							0,248	GAV 25>21,3x3,7	GAV 25>21,3x3,7-daxs
	160		-	25x2,5							0,222	GAV 25x2,5	GAV 25x2,5-daxs
	250		-	25x3,0							0,231	GAV 25x3	GAV 25x3-daxs
	320		-	25x4,0							0,246	GAV 25x4	GAV 25x4-daxs
	400		-	25x5,0							0,260	GAV 25x5	GAV 25x5-daxs
	160	30	¾"	26,7x2,9	M42x2,0	40,5	69	98	46	50	0,307	GAV 30>26,7x2,9	GAV 30>26,7x2,9-daxs
	320		¾"	26,7x3,9							0,307	GAV 30>26,7x3,9	GAV 30>26,7x3,9-daxs
	160		¾"	26,9x 2,3							0,297	GAV 30>26,9x2,3	GAV 30>26,9x2,3-daxs
	250		¾"	26,9x3,2							0,320	GAV 30>26,9x3,2	GAV 30>26,9x3,2-daxs
	160		-	30x3,0							0,297	GAV 30x3	GAV 30x3-daxs
	250		-	30x4,0							0,318	GAV 30x4	GAV 30x4-daxs
	320		-	30x5,0							0,338	GAV 30x5	GAV 30x5-daxs
	400		-	30x6,0							0,352	GAV 30x6	GAV 30x6-daxs
	160	38	1"	33,4x2,6	M52x2,0	44	77	109	55	60	0,480	GAV 38>33,4x2,6	GAV 38>33,4x2,6-daxs
	250		1"	33,4x4,0							0,515	GAV 38>33,4x4	GAV 38>33,4x4-daxs
	160		1"	33,7x2,6							0,478	GAV 38>33,7x2,6	GAV 38>33,7x2,6-daxs
	250		1"	33,7x4,0							0,525	GAV 38>33,7x4	GAV 38>33,7x4-daxs
	160		-	38x4,0							0,500	GAV 38x4	GAV 38x4-daxs
	250		-	38x5,0							0,520	GAV 38x5	GAV 38x5-daxs
320	-		38x6,0	0,545							GAV 38x6	GAV 38x6-daxs	
400	-		38x8,0	0,590							GAV 38x8	GAV 38x8-daxs	
160	50	1½"	48,3x2,6	M68x2,0	50	90	119	70	80	0,888	GAV 50>48,3x2,6	GAV 50>48,3x2,6-daxs	
160		1½"	48,3x4,0							0,910	GAV 50>48,3x4	GAV 50>48,3x4-daxs	
250		1½"	48,3x6,3							0,970	GAV 50>48,3x6,3	GAV 50>48,3x6,3-daxs	
320		1½"	48,3x8,0							1,031	GAV 50>48,3x8	GAV 50>48,3x8-daxs	
160		-	50x5,0							0,900	GAV 50x5	GAV 50x5-daxs	
250		-	50x6,0							0,945	GAV 50x6	GAV 50x6-daxs	
320		-	50x8,0							0,958	GAV 50x8	GAV 50x8-daxs	
400		-	50x10,0							1,108	GAV 50x10	GAV 50x10-daxs	

