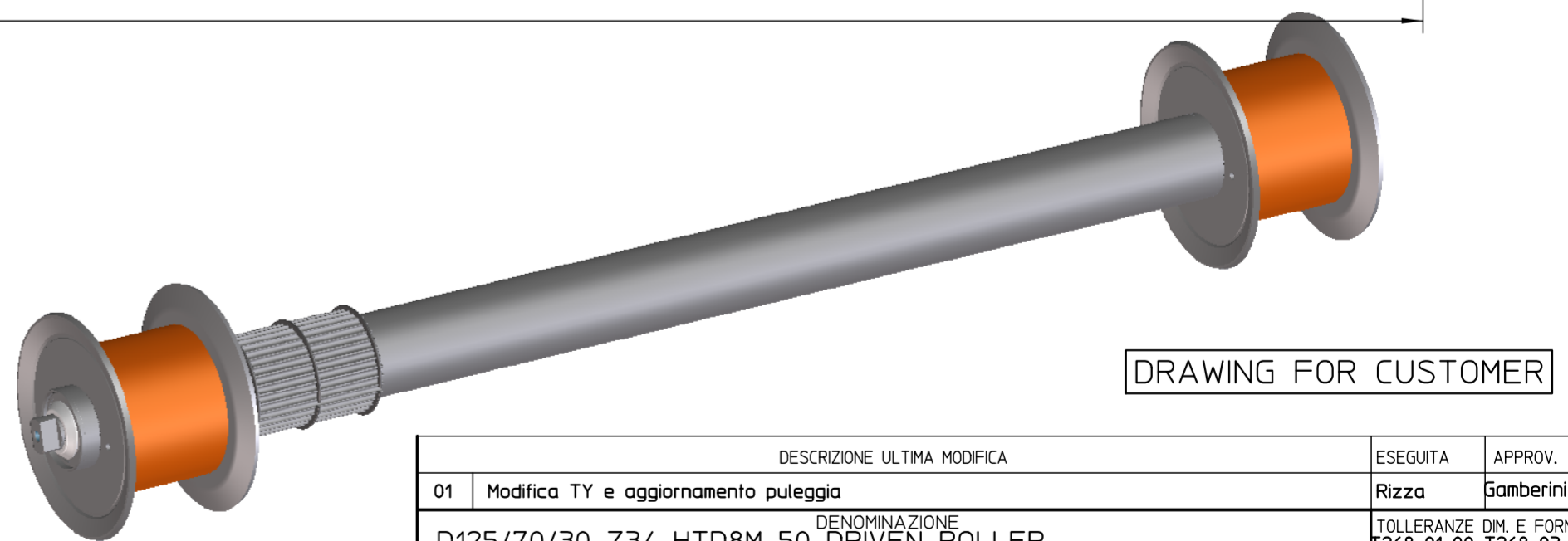
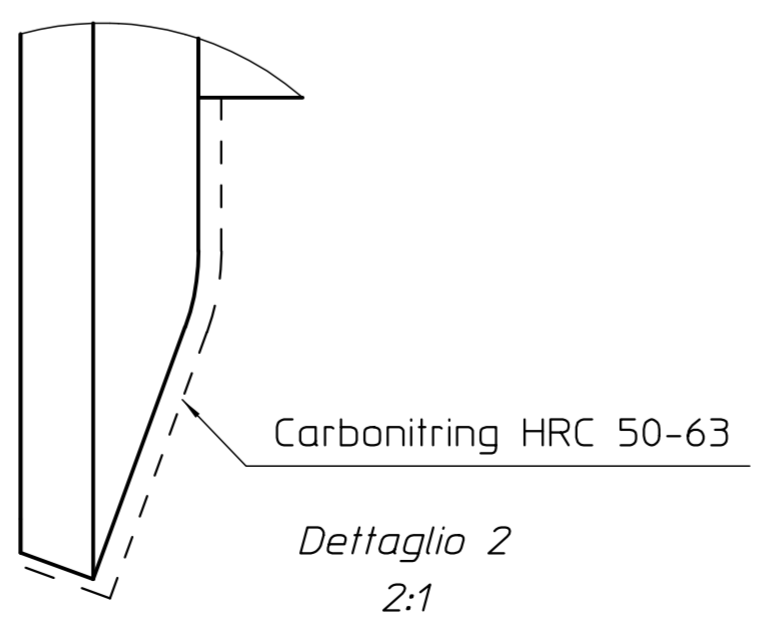


Coating must not have detectable traces of silicone.

U= 1053 <sup>+2</sup>/<sub>0</sub>  
 T= 1101  
 L= 1115 <sup>0</sup>/<sub>-1</sub>  
 A= 1145 <sup>0</sup>/<sub>-1</sub>

1	Tube dia. 70x5 mm EN 10025-S235 or similar/higher.
2	Pulley Z34 HTD 8M-55 Dp=86.58 De=85.22 EN10025-S235 JRG2 and snap rings SP85 DIN 5417 with rounded edge.
3	Axle dia. 30 mm EN 10025-S235 JRG2 with threaded holes M10x20 and milled ends dim. 17x15 mm.
4	Flange dia. 190x6 (hardened) and flange dia. 103x5 mm made by EN 10111 DD11 or similar/higher.
5	Polyurethane coating hardness 95 +/-3 Shore A.
6	Single row rigid radial precision bearings type 6206-2RS lifetime lubrication.



DESCRIZIONE ULTIMA MODIFICA		ESEGUITA	APPROV.
01	Modifica TY e aggiornamento puleggia	Rizza	Gamberini G.
DENOMINAZIONE		TOLLERANZE DIM. E FORMA:	
D125/70/30 Z34 HTD8M-50 DRIVEN ROLLER		T268-01-00 T268-03-00	
POLYURETHANE COATED - DE190 HARDENED FLANGES		SALDATURE: T287-01-00	
MODIFICHE		DATA	
DIS. Rizza		00	12/10/16
CONTR. Rizza		01	27/04/17
SCALA 1:1		3996	4076
FORM. A2		PESO -	
DIS.N. 329839V		SOSTITUISCE -	
DUGOMRULLI Moving solutions		VIA INIEVO,8-1-40069 ZOLA PREDOSA (BO)	
TEL:051/755406-TELEFAX:051/758989			