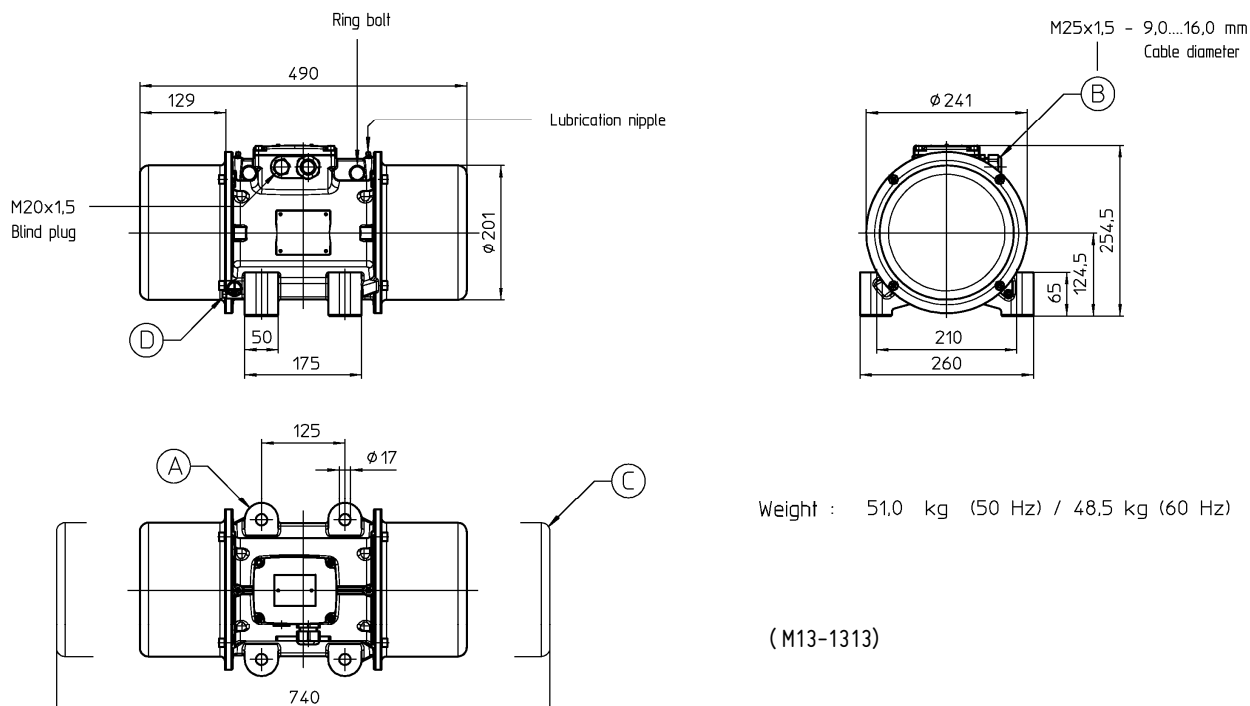


# Unbalance motor UVF 18X-A2.1



- (A) – Mounting screws required: 4 pieces (M16) – Screw tightening torque: 210 Nm (Bolt quality: 8.8)
- (B) – Observe the degree of protection (IP Code) according to the type label, cable diameter and cable gland must match!
- (C) – Observe the required space for mounting the protective hoods!
- (D) – Grounding screw

Electrical specifications										
Housing size	Mains frequency	Standard coils	Code number AVITEQ	Nominal current	Input power	Power factor	I <sub>A</sub> /I <sub>N</sub>	Number of poles	Motor speed, synchronous	
50	50Hz	220-240/380-415V (3-phase)	59315	3.50/2.00A	1.100kW	0.75	4.29	4	1,500min <sup>-1</sup>	
		254-305/440-525V (3-phase)	59316	2.75/1.60A						
		380-400/660-690V (3-phase)	59317	2.00/1.15A						
	60Hz	220-277/380-480V (3-phase)	59318	3.30/1.90A	1.200kW	0.78	4.89			1,800min <sup>-1</sup>
		330-346/575-600V (3-phase)	59319	2.65/1.52A						

Mechanical specifications							
Housing size	Mains frequency	Centrifugal force	Static moment	Working weight range (double drive)	Degree of protection (EN 60529)	Bearing	Sound pressure level
50	50Hz	17,600N	143kgcm	250...1,780kg	IP66	NJ2308E-TVP2.C4.BL	<70dB(A)
	60Hz	17,200N	97kgcm	310...1,495kg			

**Further information:**

- Insulation class: F
- Construction: can be operated at all positions
- Rotation: C.W. and C.C.W.
- Permissible number of starts per hour: 15
- Allowed ambient temperature: -20...+55°C (Special version with heater for temperatures below -20°C possible on request)
- Standard coloring (housing): RAL 5018, powder-coated (...other colorings possible on request)
- Bearing service life-hours (L10 Basis): approx. 13,200h, bearing re-placement interval without re-lubrication under normal conditions  
approx. 20,000h, bearing re-placement interval with re-lubrication under normal conditions
- Re-lubrication: 5 re-lubrication intervals every 4,000h with 12g STABURAGS NBU 8EP (lubricant)
- Service factor: 1.15
- CSA-approval: Yes (...only for non-hazardous areas)
- ATEX-approval: LCIE 07 ATEX 6020 X - II 2 D tD A21 IP66 T 135°C