

SH. 1  
OF 1

CAT NO

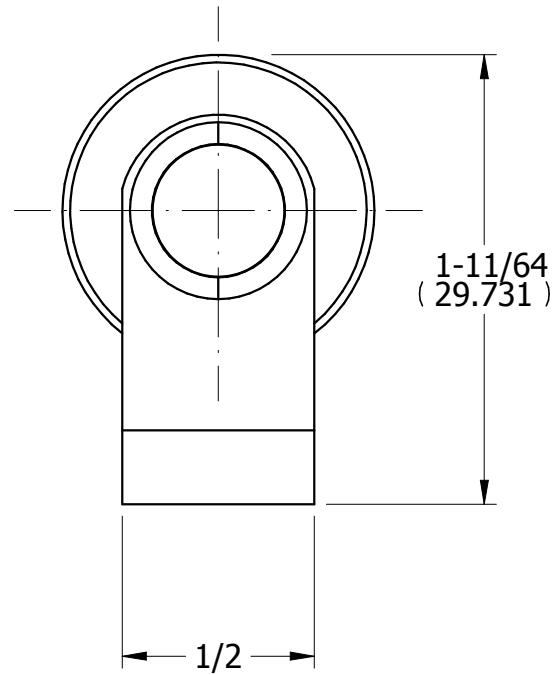
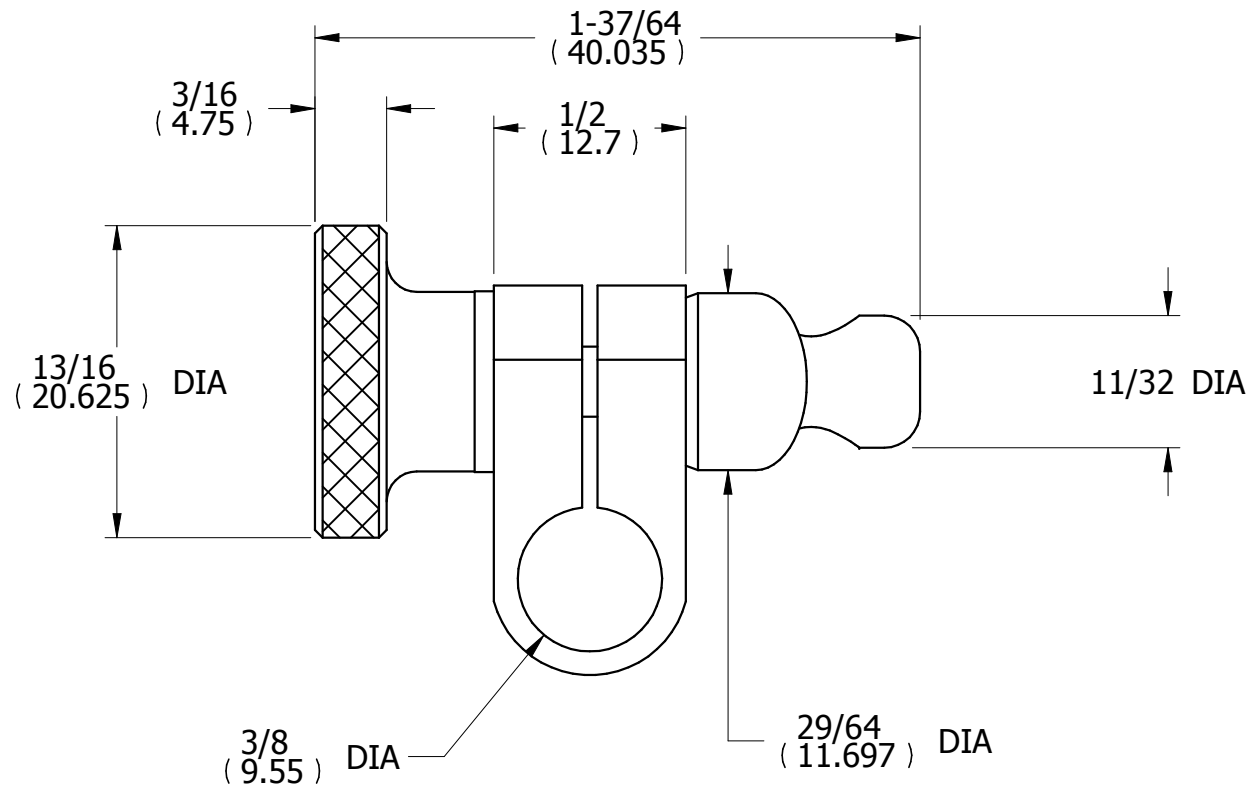
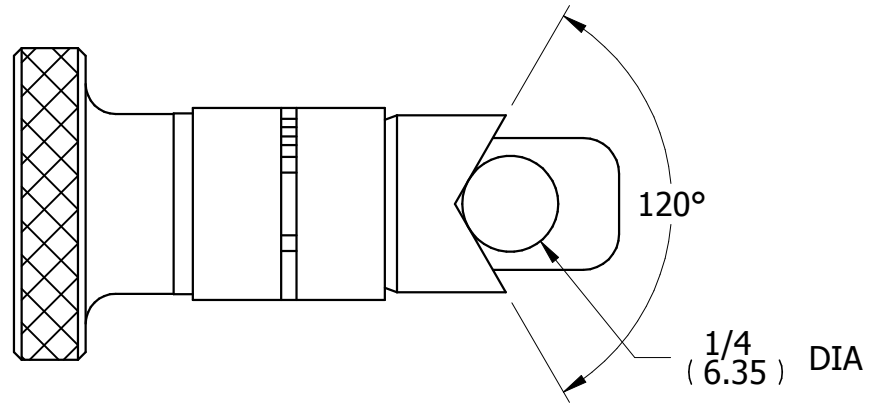
PT18724

CUSTOMER DIMENSIONS

DO NOT  
SEPARATE  
PRINT FROM  
WORK

OPER

TOOLS




REV	DESCRIPTION	DATE	BY
DR	DCA	CHK	DATE 10-3-69

SCRIBER SNUG

THE L.S. STARRETT CO.  
ATHOL, MASS.

FRACTIONAL TOLERANCE +- 1/64 UNLESS OTHERWISE NOTED