



HFST150 includes all this plus the filter cartridge

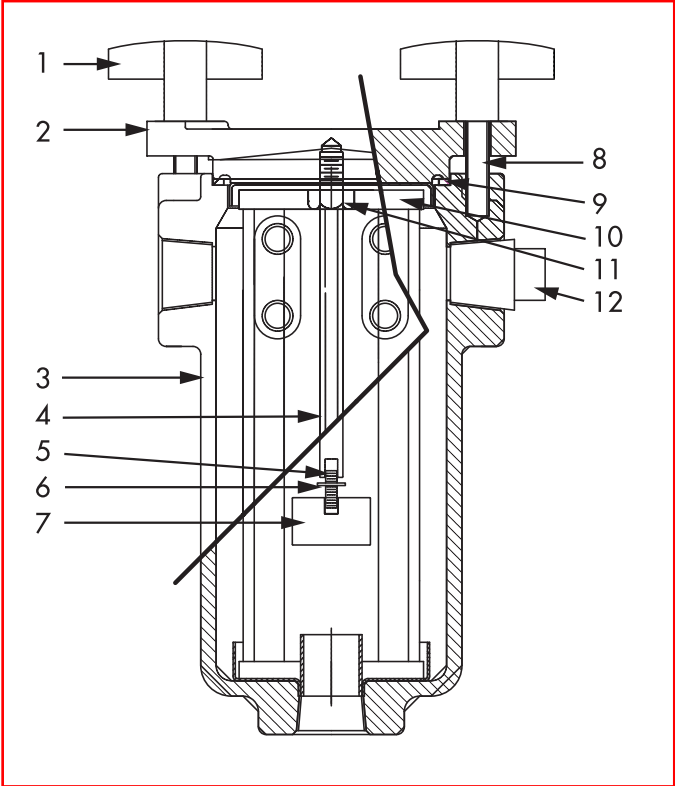
HFS

REF	DESCRIPTION	PART NO
1	Thumb nut	540-14464-11
2	Top cover	540-15965-23
3	Ink filter body	540-25682-23
4	Magnet holder	568-15437-81
5	Cap screw	752-92675-81
6	Lockwasher	754-02622-41
7	Magnet	769-92676
8	Short stud	568-14373-11
9	Gasket	744-06266
10	Top cup (stainless steel)	610-27120-81
11	Nut	755-01229-81
12	Pipe plug	724-04167-23

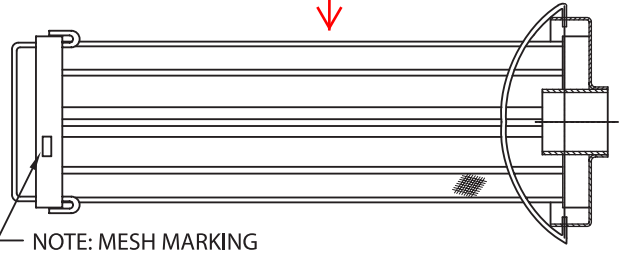
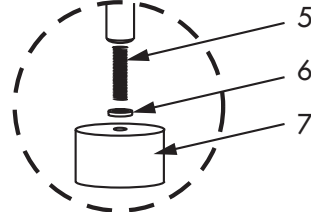
Housing only

HFNT SERIES

REF	DESCRIPTION	PART NO
1	Thumb nut	540-30053-11
2	Top cover	540-29813-23
3	Ink filter body	540-29805-23
4	Magnet holder	568-29930-81
5	Cap screw	751-00582-88
6	Lockwasher	754-02622-41
7	Magnet	769-08041
8	Short stud	568-29931-11
9	Gasket	744-29933
10	Top cup (stainless steel)	610-29920-81
11	Nut	755-00812-88
12	Pipe plug	724-04167-23



NEW MAGNET DESIGN



NOTE: MESH MARKING

REPLACEMENT CARTRIDGES

Strainers are available in four different meshes (30, 60, 100, 150). A Cartridge Assembly includes a strainer (the longer HFL filter has 2 strainers) as well as the stainless steel top and bottom cups. A spare cartridge permits quick changeover to keep the filter in service.

HFST/EFST SERIES

- HFCST30/EFCT30
- HFCST60/EFCT60
- HFCST100/EFCT100
- HFCST150/EFCT150

HFNT SERIES

- HFNCT30
- HFNCT60
- HFNCT100
- HFNCT150

HFL/EFL SERIES

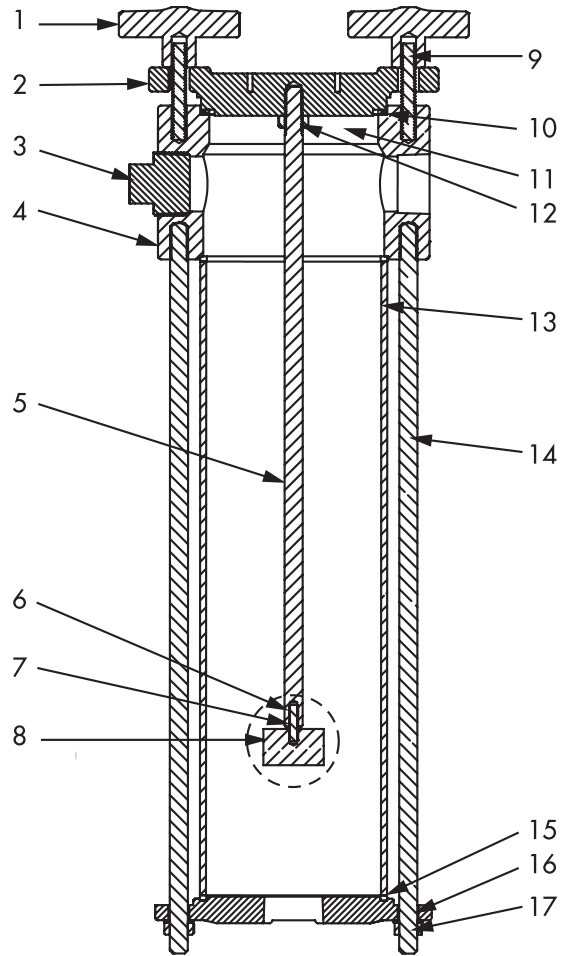
- HFCLT30/EFCLT30
- HFCLT60/EFCLT60
- HFCLT100/EFCLT100
- HFCLT150/EFCLT150

SEE REVERSE SIDE FOR MAGNET REPLACEMENT INFORMATION



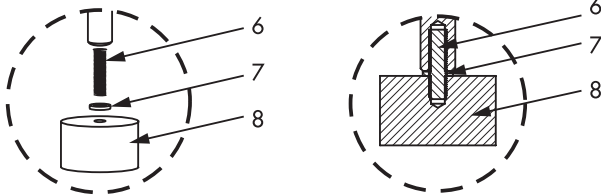
HFLT/EFLT SERIES

REF	DESCRIPTION	PART NO
1	Thumb nut	540-14464-11
2	Top cover	540-15965-23
3	Pipe plug	724-01192-23
4	Ink filter body	540-24007-23
5	Magnet holder	568-14620-81
6	Cap screw	752-92675-81
7	Lockwasher	754-02622-41
8	Magnet	769-92676
9	Short stud	568-14373-11
10	Gasket, 3 27/32	744-06266
11	Top cup (stainless steel)	610-27120-81
12	Nut, hex jam 3/8-16NC	755-01229-81
13	Body tube, 3-7/8	602-24008-23
14	Long stud	568-14622-11
15	Gasket, 3 59/64	744-06268
16	Iron plated bottom cover	540-24005-23
17	Lockwasher, 3/8 split	754-00564-12



INSTRUCTIONS FOR REPLACING SUPERFLO FILTER MAGNET

The new magnet (8) can be used to replace the previous design and is easy to replace if it should lose magnetic power. Simply remove old magnet, and screw (6) replacement into place. Use provided lock washer (7) to secure.



INSTRUCTIONS FOR CLEANING SUPERFLO FILTERS

The Superflo filter is self-draining when the pump is off (centrifugal only). Filtered material is trapped on the inside of the filter screen. To clean, loosen wing nuts, remove cover and screen cartridge.

SEE REVERSE SIDE FOR REPLACEMENT CARTRIDGE INFORMATION