

Quality - made in Germany



RSF 58 P - Profibus DP

„RSF 58 P 26-3-B-W1N-DS4-F2“

Absolute multi-turn encoder

- Shockproof up to 200 g
- Parameterizable operating modes
- Parameterizable preset value
- Parameterizable scaling
- Singleturn resolution by 13 Bit
- Multiturn resolution by 16 Bit
- Total resolution by 29 Bit

Technical data

Total resolution	29 Bit
Steps per turn	8.192 / 13 Bit
Number of turns	65.536 / 16 Bit
Code	Binary
Code sequence	CW/CCW programmable
Incremental output (optional)	2048 impulses A 90° B

Electrical data

Supply voltage	10...30 VDC
Reverse polarity protection	Yes
Consumption	≤ 100mA (24 VDC) w/o load
Initializing time	≤ 250 ms after power on
Absolute accuracy	± 0,025°
Sensing method	optical
Interface	Profibus-DPV0
User address	Rotary switch in bus cover
Status indicator	DUO-LED in bus cover

Mechanical data

Operating speed	≤ 10.000 U/min (mechanical) ≤ 6.000 U/min (electrical)
Starting torque	≤ 0,03 Nm
Admitted shaft loading	≤ 40 N radial ≤ 20 N axial
Rotor moment of inertia	20 gcm ²

Housing data

Material	Housing: Steel Flange: Aluminium Bus cover: Aluminium
Housing	Ø 58 mm
Weight	approx. 650 g
Shaft	Ø 6 mm servo flange Ø 10 mm clamping flange

Ambient conditions

Vibration	DIN EN 60068-2-6 10 g, 16...2000 Hz
Shock	DIN EN 60068-2-27 200 g, 6 ms

Operating temperature	- 25...+ 85° C - 40...+ 85° C (optional)
Relative humidity	Max. relative humidity 95 % non-condensing
Protection	IP 65
Interference immunity	DIN EN 61000-6-2
Emitted interference	DIN EN 61000-6-4

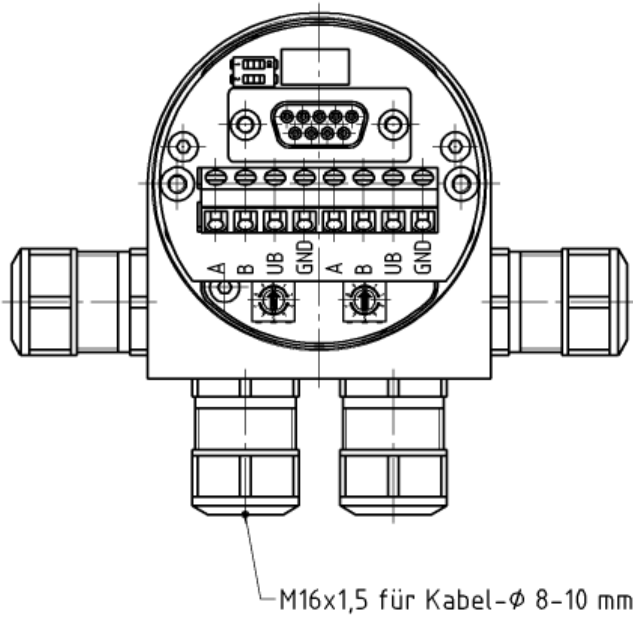
Programmable parameters

- Steps per turn
- Number of turns
- Preset
- Scaling
- Rotating direction

Features Profibus-DPV0

Bus protocol Profibus	DPV0
Device profile	Device Class 1 and 2
Input data	Position value. In addition optionally speed signal parametering (output of current rotation speed).
Output data	Preset
Preset	Parameter for setting the encoder to a requested position value assigned to a defined shaft position of the system. Storage non-volatile.
Rotating direction	Parameter for defining the rotating direction in which there have to be ascending or descending position values.
Scaling	Parameter defining the steps per turn as well as the total resolution.
Diagnosis	The encoder supports the following error warnings: - Position and parameter error - Multiturn-scanning
Default User	address 00 Termination OFF

View inside bus cover



Terminal description

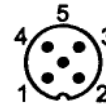
- A Negative data line
- B Positive data line
- UB Supply voltage 10...30 VDC
- GND Ground connection relating to UB

Terminals of the same significance are internally connected and identical in their functions. Max load on the internal terminal connections UB-UB and GND-GND is 1 A each.

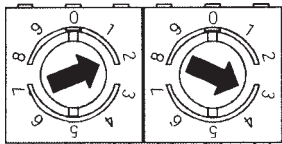
Optional: additional incremental tracks A + B, 5pol. plug 10...30 VDC, 30 mA.

Terminal assignment incremental plug

- | plug | assignment |
|-------|------------|
| Pin 1 | A |
| Pin 2 | B |
| Pin 3 | A inv. |
| Pin 4 | B inv. |
| Pin 5 | GND |



User address (identifier)



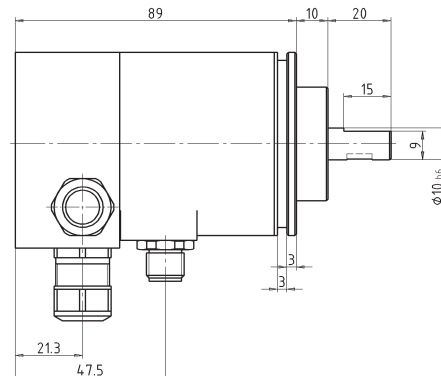
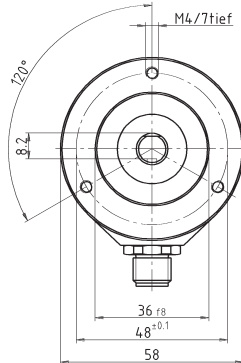
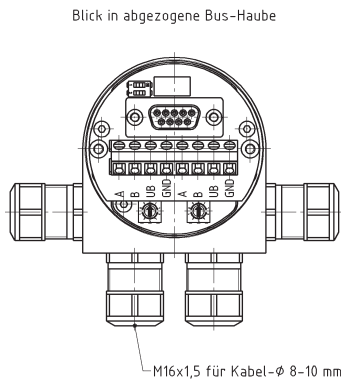
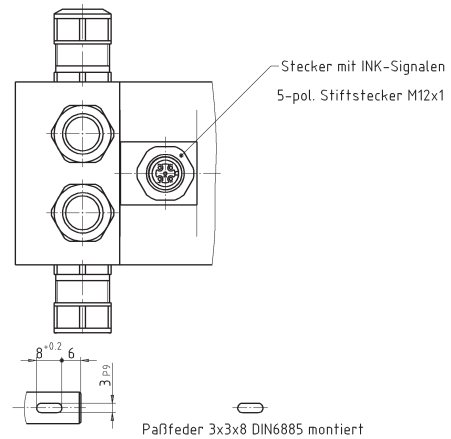
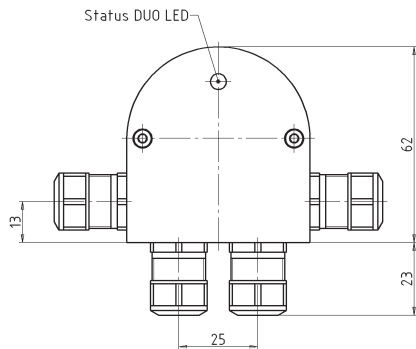
Address can be set with rotary switch.
Example: User address 23

Termination



both ON = final user
both OFF = user X

Dimension and cutout RSF 58 P 26-3-B-W1N-DS4-F2



Die Kabelabschirmungen müssen in den EMV-Kabelverschraubungen aufgelegt werden.