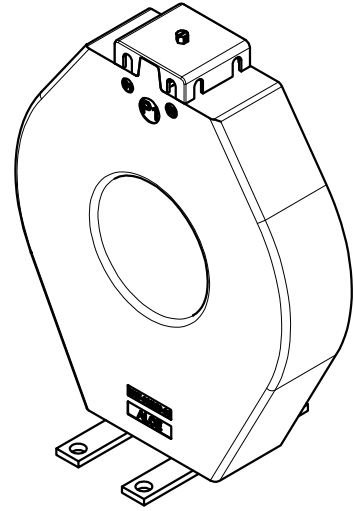
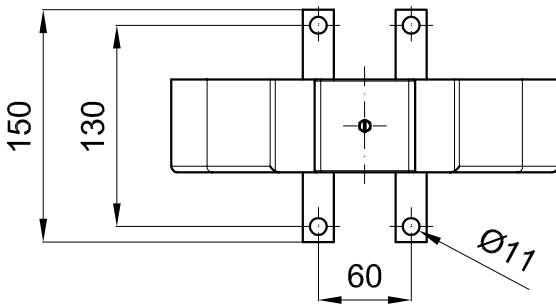


ORJINALDIR
TEKNİK BÜRO
Tarih 20/03/2012



QTY	DESCRIPTION	POS	DIMENSIONS	WEIGHT	PART OR DIN NO.	MATERIAL
				20-03-12	PLATE CODE	3002494
					BOX CODE	M AYAK TES KA 5 REV.
					503_3	
						-
					DR'N	
					CH'D	
					APP'D	
					C.C	MT