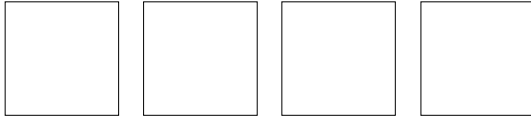


Couplings type SED

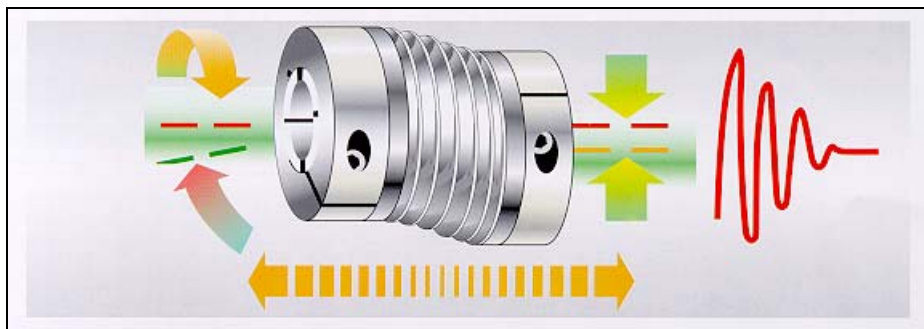


- Large compensation of misalignment
- High rotating stiffness
- No change of angular velocity in case of shaft displacement
- Damps vibrations
- Easy installation

Description

The SED – nickel bellows couplings have been developed specifically for being used in systems with extremely accurate measuring and regulator units, for example absolute or incremental encoders and so forth. The nickel bellows is made galvanically. Due to its extraordinary softness, there are only slight elastic forces at the bearings. As a result, the mechanical tensions caused by misalignment of the shafts are kept slight and the life of the system is increased. At the same time, vibrations are damped.

The high rotating stiffness of the SED - nickel bellows couplings makes possible an almost lossless and very precise mechanical transmission of information.

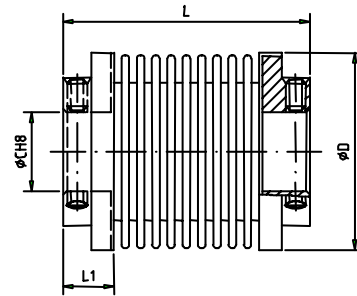
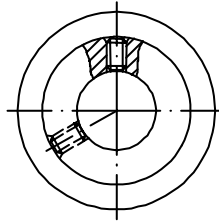


Type A – hub with binding screw

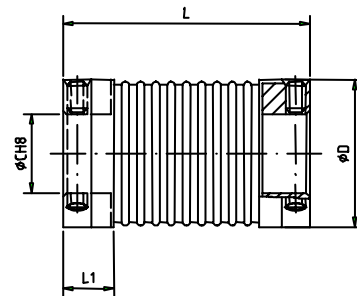
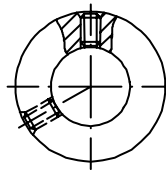
The hubs with binding screw are adjusted to applications that don't need a precise mounting adjustment. The binding screws at intervals of 120° ensure an absolute balance of clamping forces. If there are vibrations, it may however be necessary to use a thread protection tie or self-securing screws.

Mechanical Data

Type SED 10090 A



Type SED 1450 A



Type	φ C max.	size			screw	starting torque	imbus wrench	mass	inertia	torque		spring rate		
		mm	φD	L						L1	DIN916	Ncm	mm	Kg ⁻³
SED 10090 A	½"	25	32,6	7	M3	132	1,5	19,5	1,61E-06	226	45	10,3	35,1	447
SED 1450 A	10	17	30,2	7	M3	132	1,5	10	3,81E-07	29	6	3,1	5,8	79

"L" = overall length of the coupling. The nominal value "L" can be varying because of the longitudinal springs of the bellows.

Values for couplings with smallest hole.

Values for maximal 10⁵ load cycles.

Type	torsion	compression		stretching		lateral displacement		angular displacement	
		arc°sec /Ncm	static max: mm	dynamic mm	static max: mm	dynamic mm	static max: mm	dynamic mm	static degree
SED 10090 A	5	3,81	0,38	2,86	0,29	0,66	0,07	11	1
SED 1450 A	26	4,12	0,41	3,09	0,31	0,99	0,1	18	2

Type	hole-Ø	article-No.
SED 10090 A	6/6	34-000-073
SED 10090 A	6/10	34-000-007
SED 10090 A	8/8	34-000-074
SED 10090 A	10/10	34-000-008
SED 10090 A	10/12	34-000-019
SED 10090 A	12/12	34-000-009

Type	hole-Ø	article-No.
SED 1450 A	6/10	34-000-065
SED 1450 A	10/10	34-000-018