

Tubular fittings

XEL Self-contained or slave emergency lighting - zones 1, 2, 21 & 22



Features

- Emergency lighting suitable for zones 1, 2, 21, 22
- Two-in-one product: lighting and signage
- Self contained and Slave version
- 80 0000 Operating life at 25°C
- Glass diffuser
- Offshore grade painting
- 1h battery life (3h depending on reference)

XEL Tubular LED fitting

Approvals & certifications



Specifications

Marine grade copper-free aluminum alloy
 Borosilicate glass - thickness 7mm
 Rating: 4x1W LED
 Supplied with pictogram stickers
 Rated voltage 230Vac 50/60Hz
 Wiring configuration: 3 wires
 2x entries 3/4"NPT
 or 1 x entry M20

Standards

Approved to:	EN 60079-0 : General requirements
	EN 60079-1 : Flameproof enclosure "d"
	EN 60079-7 : increased safety "e"
	EN 60079-31 : Enclosure "t"
EC Type examination certificate to:	Directive 2014/34/EU
	INERIS 13 ATEX 0050X
	INERIS 13 ATEX 0051X (Only for XEL400VLSI)
	Ex II 2 GD
	Ex de IIC T6 Gb (XEL400VLSI)
	Ex d IIC T6 Gb (all other)
	Ex tb IIIC T80°C Db IP66
	T° amb: see table on next page
EMC Directive (2014/30/UE)	EN 55015 : Conducted emission test and radiated emission test
	EN61547 : CEM immunity
	EN61000-3-2 Harmonic current emissions class C
	EN61000-3-3 Limitation of voltage changes and flickers
Glow wire test	960°C
IP test:	IEC 60529: IP66
Impact protection index:	IEC 62262: IK 07

Tubular fittings

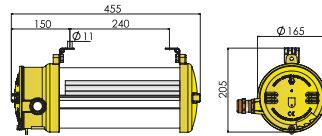
XEL Self-contained or slave emergency lighting - zones 1, 2 & 21, 22



XEL Tubular LED fitting

- 3 wires
- Glass Diffuser
- Equipped with 1 cable gland & 1 plug
- Suitable for use in Zones 1, 2, 21, 22

Dimensions



XEL 3 wires: Glass Diffuser Equipped with 1 cable gland & 1 plug

Type	Function: Non maintained	Testing type	Battery H	Lumen output without / with pictogram	Operating life at 25°C h	T amb.	Gas	Dust	Weight kg
Self contained									
XEL400VLAK-00000	Lighting /Escape route	Auto test	1H	330 / 100	80000	-20°C to +55°C	IIC	T80°C	7.41
XEL400VLSI-00000	Lighting /Escape route	Addressable + Auto test	1H	330 / 100	80000	-20°C to +55°C	IIC	T80°C	7.41
XEL4001VSI-00000	Lighting /Escape route	Addressable	3H	150 / NA	80000	-20°C to +55°C	IIC	T80°C	7.41
XEL4001VA-00000	Lighting /Escape route	Auto test	3H	150 / NA	80000	-20°C to +55°C	IIC	T80°C	7.41
XEL400VLP A-00000	Lighting /Escape route	Auto test	1H	330 / 100	80000	-20°C to +55°C	IIC	T80°C	7.41
XEL400VLPSI-00000	Lighting /Escape route	Addressable	1H	330 / 100	80000	-20°C to +55°C	IIC	T80°C	7.41
XEL400VLPAB-00000	Lighting /Escape route	Module LB400	1H	330 / 100	80000	-20°C to +55°C	IIC	T80°C	7.41
Slave:									
XEL3008VLBU-00000	Lighting /Escape route	Module LTC		200 / NA	80000	0°C to +40°C	IIC	T80°C	7.41
XEL3008VL-00000	Lighting /Escape route			200 / NA	80000	-10°C to +55°C	IIC	T80°C	7.41
XEL3008VLBG-00000	Lighting /Escape route	Module FLX		200 / NA	80000	-10°C to +55°C	IIC	T80°C	7.41
XEL3008VLB-00000	Lighting /Escape route	Module LBS		200 / NA	80000	-10°C to +55°C	IIC	T80°C	7.41
XEL3008VL-0K000	Lighting /Escape route			200 / NA	80000	-10°C to +55°C	IIC	T80°C	7.41

Note: Spacing table available page 182

Technical information

General data	
Lamps	LED 4x1W
Photometric curve	See page 182
Rated voltages	Electronic ballast: 230Vac 50/60Hz or 24V Power NM 0.5W 24V(only for XEL3008VL-0K000)
Over-current protection	The power supply shall be self-recovery when the fault condition is removed
Power factor	0.4
CRI	Minimum 70
Wiring Configuration	3 wires + 2 remote control unit
Dielectrical class	I
Grounding system	TNS, TNC, TT, IT neutral system
Battery	Battery NiMh 3,6V 1,1Ah Average life time of battery 4 years Upload charge cycle 100% 25°C - 24h
Pictogram	4 adhesive pictograms (included)

General data	
External grounding lug	Screw M4x20 (stainless steel 316L) (nearby cable gland)
Terminal block (screws plug in terminal block)	2.5mm ² Terminals supplied L1, L2, L3, N, PE (looping possible with one additional cable gland)
Cable entries	XEL400VLSI : One entry M20 All other : 2 entries 3/4"NPT Included: one stopping plug 3/4"NPT nickel plated brass (EXN/075/SP) and one cable gland for non armoured cable, diameter 6-12mm (EX05ASC3)
Casting	Marine grade aluminum alloy according to standard: EN 1706: EN AC-ALSi12 (Fe) DFor EN AC-ALSi 10Mg(A) DF borosilicate glass thickness 7mm
Colour of casting (std)	● XEL****-00000 - Yellow offshore, RAL 1003
Colour option:	● XEL****-B0000 - Grey, RAL 7035
Fixing (included with product)	D023- 2x zinc plated steel articulated brackets for ceiling mounting

Tubular fittings

XEL Self-contained or slave emergency lighting - zones 1, 2, 21 & 22
 Technical information & accessories

Technical information

	General data
Lamps	LED 4x1W Cool White - approximately 4000K L70/B10 at 25°C (70% lumen output/ 90% active LED) according to operating life
Photometric curve	See page 182

	General data
External grounding lug	Screw M4x20 (stainless steel 316L) (nearby cable gland)

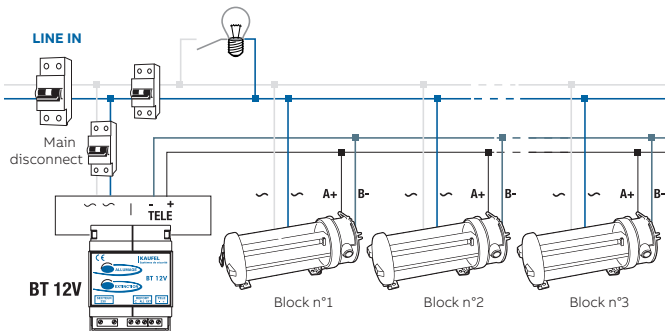
Additional information for XEL400VLAK-00000 and XEL400VLSI-00000 Remote control units for emergency lighting



Order number	BT5F	BT12V
Type	621500	621201
Power supply	220-240 Vac - 50/60 Hz	
Main feature	Multi-brand compatibility ON / OFF offset	Standard ON / OFF 230Vac 50/60Hz Power 0.5W
Testing type	Unswitched - Switch off - combined	
Size (mm)	82 x 70 x 70	



Standard remote control installation (Self contained)



Regulations

Article EC 12 paragraph 6
 Self-contained emergency lighting installations must have on fit one or several devices allowing centralised control. The devices must be located close to the master control unit or one sub-division control units.

Remote control installation with integrated self testing capabilities

