



## AIR DIFFERENTIAL PRESSURE SWITCHES

**DBL**

### FUNCTION

Differential pressure for air or non aggressive and non inflammable gases control.  
Alarm activation at a pre-set value.

### APPLICATIONS

Well-suited in domestic, commercial and industrial strong polluted areas in air conditioning and ventilating systems for:

- filter monitoring;
- correct fan operating control;
- low pressure and overpressure monitoring;
- deactivating of electrical heaters during air missing.

TYPE	RANGE mbar	DIFFERENTIAL mbar	MAX. PRESSURE mbar
DBL-205A	0.3...4.0 (30...400 Pa)	0.15 ± 15%	100
DBL-205B	0.5...5.0 (50...500 Pa)	0.2 ± 15%	100
DBL-205C	0.2...3.0 (20...300 Pa)	0.1 ± 15%	100
DBL-205D	2...10 (200...1000 Pa)	1.0 ± 15%	100
DBL-205E	5...25 (500...2500 Pa)	1.5 ± 15%	100

<b>Accessories</b>	DBZ-06 - Connection set with 2 PVC duct connectors, 2 m flexible PVC pipe and 4 screws
	DBZ-14A - Set with mounting bracket and screws
	DBZ-14B - Set with mounting bracket and screws

### TECHNICAL DATA

**Contact:** microswitch with SPDT contacts  
**Switch capacity:** 1.5 (0.4) A, 250 Vac  
**Differential:** fixed (see schedule)  
**Working temp.:** -20...+85 °C  
 10...90% r.h. (without condensing)  
**Diaphragm:** silicon (LSR)  
**Storage:** -40...+85 °C  
 < 95% r.h.  
**Housing:** PS  
**Protection:** IP54, class II  
**Max size:** Ø 118 x h 57,5 mm  
**Weight:** 180...210 g

### NOTE

Connector P1 of higher pressure or lower vacuum.  
 Connector P2 of lower pressure or higher vacuum.  
 Connector Ø 6.0 mm for hose PVC 5 x 8 mm.

### WIRING DIAGRAM

the contact 2 - 3 closes and the contact 1 - 3 opens when the differential pressure rises (fig. 1).

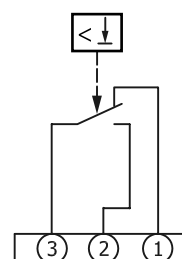
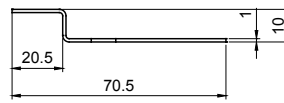
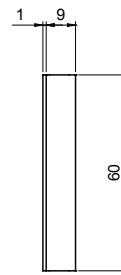
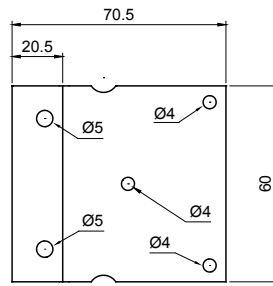
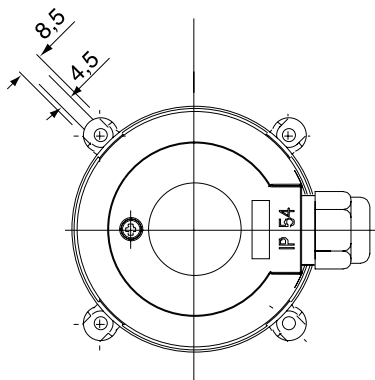
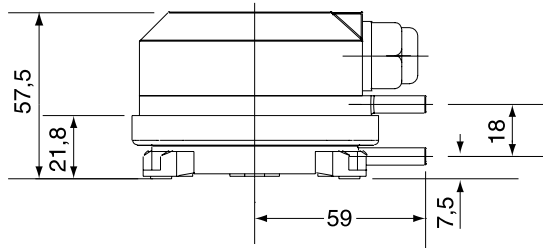
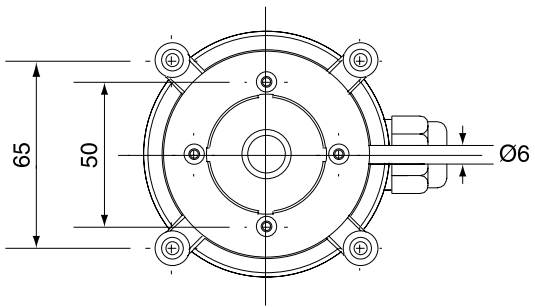
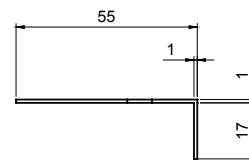
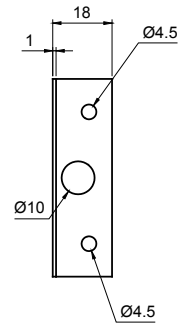
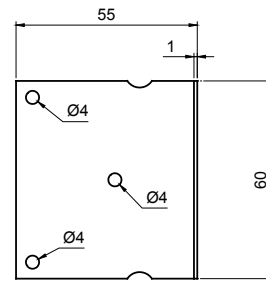
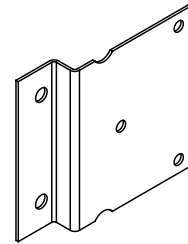


fig. 1

**DIMENSIONS (mm)**



DBZ-14A



DBZ-14B

