

## Datasheet - AZ/AZM300-B1

Solenoid interlock / AZM300 / Actuator AZM300



- 3 different directions of actuation



(Minor differences between the printed image and the original product may exist!)

### Ordering details

Product type description	AZ/AZM300-B1
Article number	101218025
Strobe lamp	
eCl@ss	27-27-92-16

### Global Properties

Permanent light	Betätiger AZ/AZM300-B1
Weight	

### Mechanical data

Design of actuators	straight
---------------------	----------

### Dimensions

Dimensions of the actuators	
- Width of the actuator	35
- Height of the actuator	46
- Length of the actuator	127

### Included in delivery

The safety switch / solenoid interlock and the actuator unit must be ordered separately.

### Documents

**Operating instructions and Declaration of conformity (cn)** 132 kB, 13.07.2015

Code: mrl\_az-azm300-b1\_cn

**Operating instructions and Declaration of conformity (en)** 138 kB, 27.09.2017

Code: mrl\_az-azm300-b1\_en

**Operating instructions and Declaration of conformity (de)** 138 kB, 27.09.2017

Code: mrl\_az-azm300-b1\_de

**Operating instructions and Declaration of conformity (fr)** 134 kB, 04.10.2016

Code: mrl\_az-azm300-b1\_fr

**Operating instructions and Declaration of conformity (nl)** 135 kB, 04.10.2016

Code: mrl\_az-azm300-b1\_nl

**Operating instructions and Declaration of conformity (pt)** 133 kB, 06.01.2017

Code: mrl\_az-azm300-b1\_pt

**Operating instructions and Declaration of conformity (es)** 128 kB, 22.08.2016

Code: mrl\_az-azm300-b1\_es

**Operating instructions and Declaration of conformity (cs)** 130 kB, 17.06.2015

Code: mrl\_az-azm300-b1\_cs

**Operating instructions and Declaration of conformity (pl)** 146 kB, 28.10.2016

Code: mrl\_az-azn300-b1\_pl

**Operating instructions and Declaration of conformity (sv)** 117 kB, 17.06.2015

Code: mrl\_az-azm300-b1\_sv

**Operating instructions and Declaration of conformity (it)** 130 kB, 23.08.2016

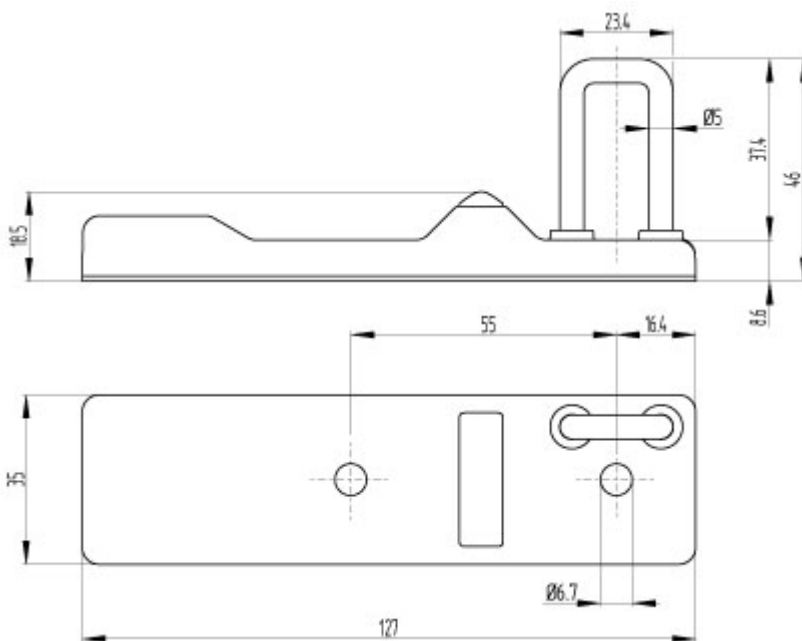
Code: mrl\_az-azm300-b1\_it

**Operating instructions and Declaration of conformity (jp)** 167 kB, 12.05.2017

Code: mrl\_az-azm300-b1\_jp

## Images

---



Dimensional drawing (actuator)

---

K.A. Schmersal GmbH & Co. KG, Möddinghofe 30, D-42279 Wuppertal

The data and values have been checked thoroughly. Technical modifications and errors excepted.

Generiert am 14.03.2018 - 15:00:05h Kasbase 3.3.0.F.64I