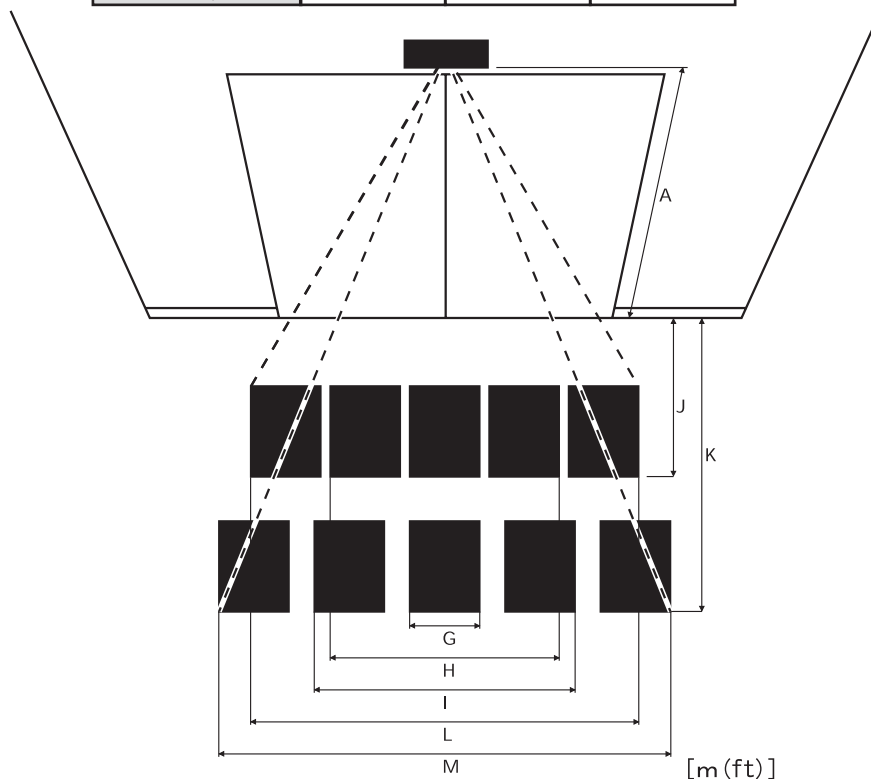


[m (ft)]

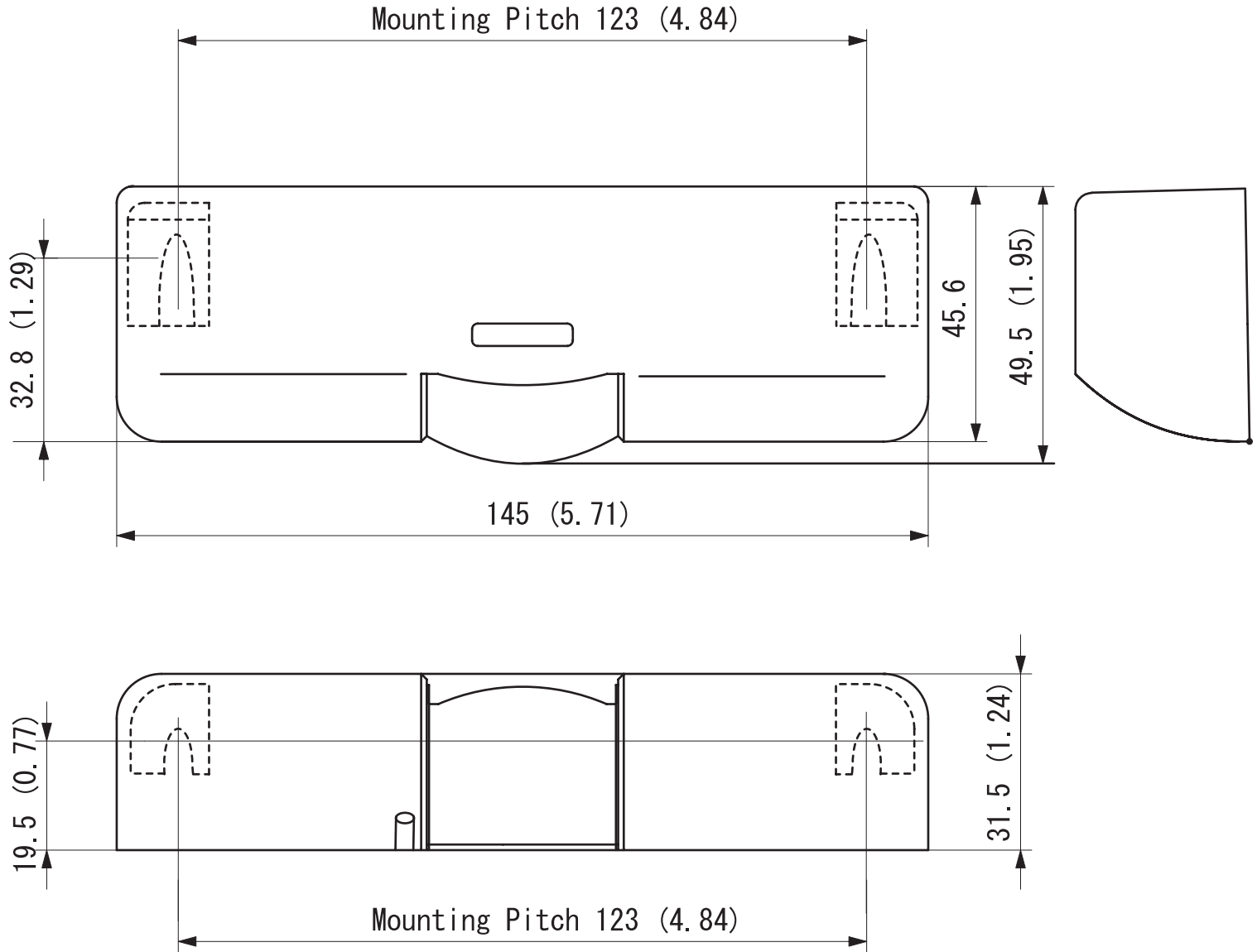
Mounting height A	2.50 (8.2)	3.00 (9.8)	4.00 (13.1)
Area width B	0.30 (1.0)	0.40 (1.3)	0.50 (1.6)
Area width C	1.80 (5.9)	2.10 (6.9)	2.90 (9.5)
Area width D	3.60 (11.8)	4.30 (14.1)	5.70 (18.7)
Area depth E	0.80 (2.6)	1.00 (3.3)	1.30 (4.3)
Area depth F	2.30 (7.5)	2.80 (9.2)	3.70 (12.1)



[m (ft)]

Mounting height A	2.50 (8.2)	3.00 (9.8)	4.00 (13.1)
Area width G	0.50 (1.6)	0.60 (2.0)	0.80 (2.6)
Area width H	1.50 (4.9)	1.80 (5.9)	2.50 (8.2)
Area width I	2.50 (8.2)	2.90 (8.5)	3.90 (12.8)
Area depth J	1.40 (4.6)	1.60 (5.2)	2.20 (7.2)
Area depth K	3.30 (10.8)	3.90 (12.8)	5.20 (17.1)
Area depth J	1.40 (9.8)	1.60 (12.1)	2.20 (16.1)
Area depth K	3.30 (16.4)	3.90 (19.7)	5.20 (26.6)

Model	: OA-08C
Mounting Height	: Max.4.0m
Detection Area Adjustments	: See Detection Area Sheet
Detection Technique	: Passive Infrared
Power Supply	: 12 - 24V AC/DC
Current Draw	: 50mA max.
Power/Operating Indicator	: LED ON: Standby LED OFF: Detection
Output Contact	: Form C Relay 50V, 0.3A(Resistance Load)
Relay Hold Time	: Approx. 1.5sec.
Operating Temperature	: -20°C to +55°C
Dimensions	: 123 x 50 x 32mm(w x h x d)
Weight	: 90g
Accessories	: 2m Connection Cable 2 Mounting Screws Mounting Template Area Mask Seal
Accessories	: Silver (OP-08CS) Black (OP-08CBL) and White (OP-08CW)



UNIT: mm (inch)