

Passive Speed Sensors

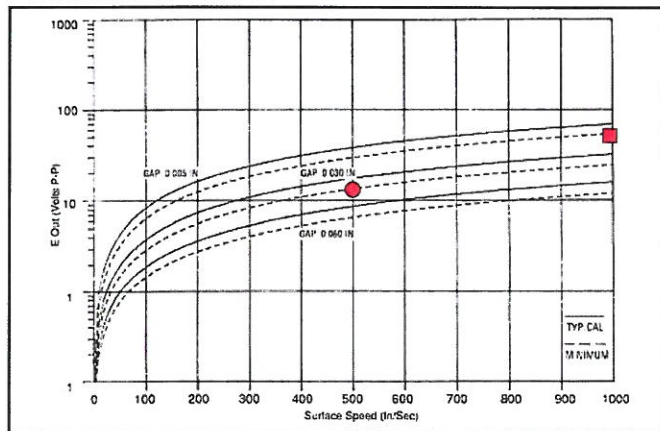
LISTED PRODUCT

UL/ATEX/CSA Sensors

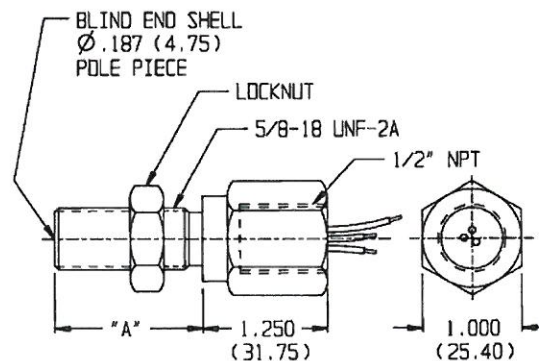
| Ordering Part # | Thread Length (A) | |
|-----------------|-------------------|----------|
| 70085-1010-081 | 1.500 | (38.10) |
| 70085-1010-411 | 1.875 | (47.63) |
| 70085-1010-329 | 2.750 | (69.85) |
| 70085-1010-330 | 4.000 | (101.60) |
| 70085-1010-412 | 6.000 | (152.40) |

Rating: UL and CSA listed for hazardous locations.
 Class I, Div 1, Groups A, B, C & D; Class II, Div 1,
 Groups E, F, G. Temp Code T3C.
 ATEX Group II, Category 3G, Zone 2

Performance Curves



Based on 8 D.P. Gear



Specifications:

- Output Voltage (Standard): 54 V (P-P)
- Output Voltage (Guarantee Point): 13.4 V (P-P)
- DC Resistance: 240 ohms max.
- Typical Inductance: 30 mH ref.
- Output Polarity: White lead positive
- Operating Temperature: -65 to 100°C
- Lead Length: 10 ft (3.05 m)
- Housing Ground: Green/Yellow Tracer
- Net Weight: 14 oz. max.