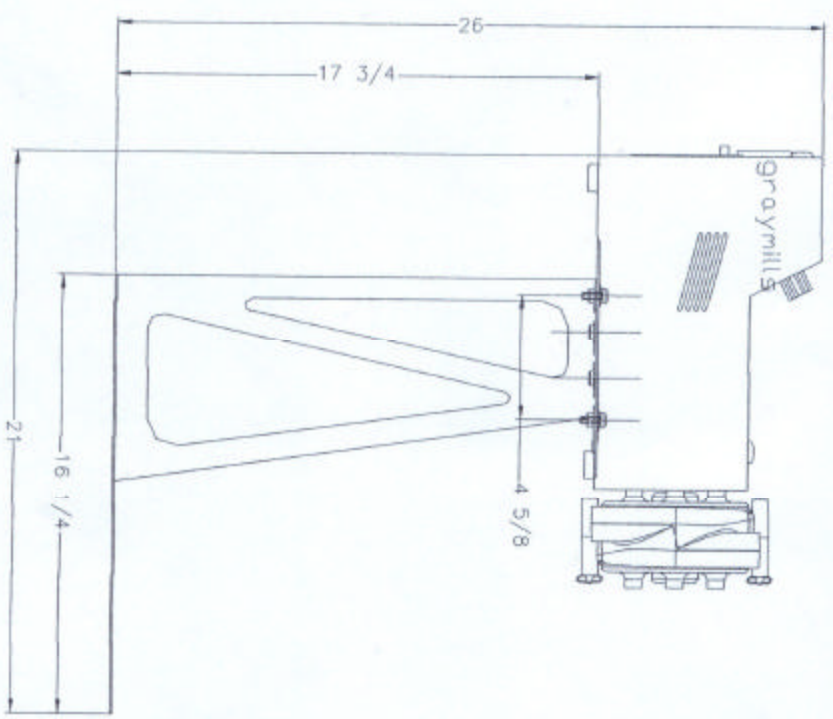


TOP VIEW
INK STAND & PUMP BASE
ONLY



SGS_PPL-VA
PAGE: 1 OF: 1
REVISIONS
① CREATED IN CAD.

THE INFORMATION ON THIS DRAWING IS PROPRIETARY AND CONFIDENTIAL. IT IS FURNISHED FOR REFERENCE ONLY, AND IS NOT TO BE USED FOR ANY PURPOSE DETRIMENTAL TO THE INTERESTS OF GRAYMILLS CORPORATION.

UNSPORTED TOLERANCES: DECIMALS: .000 & .006 FRACTIONS: ± 1/32 HOLES AND CHAMFERS: ± .005 ANGLES, SQUARENESS, AND RECTITUDE: ± .015 INCHES PER FOOT		CONVENTIONS: TIA: EQUALS TOLERANCE OR DIMETER DIMENSIONING SYSTEM: ANG/ASD Y14.5M DO NOT SCALE DIMENSIONS NOTES (MULTIPLIER): OBTAIN ALL SHARP EDGES		DRAW METHOD: <input type="checkbox"/> 2D <input type="checkbox"/> 3D DRAWN BY: MDR CHECKED BY: B.S.		DATE: 08/08/00 SCALE: NONE		PART NAME: SGS INK STAND ASS'Y. CHICAGO, ILLINOIS 60613		NEXT ASSEMBLY: <input type="checkbox"/> DRAWING FILE: <input type="checkbox"/>		MODEL NUMBER: SGS DRAWING NUMBER: SGS_PPL-VA	
C:\P\F:\US\PROD\CATV\SGS_PPL.DWG				PAGE: 1		OF: 1							

B