

ISO 15552 CYLINDERS (EX ISO 6431)

Cylinders made to ISO 15552 available in various versions and with a wide range of accessories:

- Configuration with or without magnet
- Single-or double acting – single-or through-rod
- Wide choice of NBR, POLYURETHANE and FKM/FPM gaskets (for high temperatures, for low temperature)
- Special versions on request
- Fixing accessories, guide units and mechanical piston rod lock.

They are available in three series, which differ according to the shape of the barrel and, consequently, the type of sensors and accessories that can be mounted.

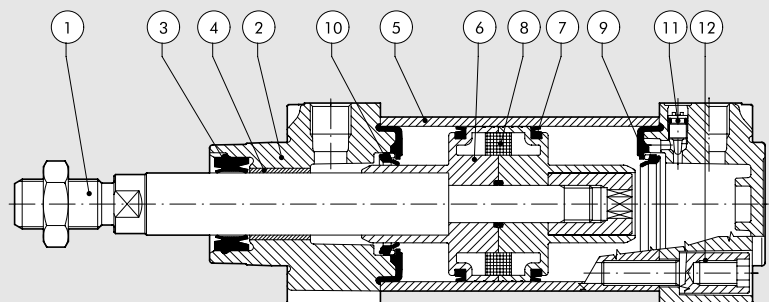
These cylinders are called series STD, type A, series 3.



| TECHNICAL DATA | | Polyurethane | NBR | FKM/FPM | Low Temperature |
|---|-----|---|------------|---------------------------------|-----------------|
| Max operating pressure | bar | | | 10 | |
| | MPa | | | 1 | |
| | psi | | | 145 | |
| Temperature range | °C | -10 to +80 | -10 to +80 | -10 to +150 (non-magnetic cyl.) | -35 to +80 |
| Fluid | | Unlubricated air. Lubrication, if used, must be continuous | | | |
| Bore | mm | 32; 40; 50; 63; 80; 100; 125 | | | |
| Design | | Heads with Tap Tite screws | | | |
| Standard stroke † | mm | Single-acting: for bores 32 to 63 strokes from 1 to 250 Double-acting: for bores 32 to 80 strokes from 1 to 2800 for bores 100 to 125 strokes from 1 to 2600 | | | |
| Versions | | Double-acting cushioned, Single-acting retracted piston rod cushioned, Through-rod cushioned, Long cushioning, High-temperature, Piston rod lock, Oil seal, Through-rod oil seal, Low friction, Non-stick-slip. | | | |
| Sensor magnet | | All versions come complete with magnet. Supplied without magnet on request. | | | |
| Inrush pressure | | Ø 32; 40: 0.4 bar Ø 50; 63 strokes < 1500 mm: 0.3 bar; strokes > 1500 mm: 0.4 bar Ø 80; 100; 125 strokes < 1500 mm: 0.2 bar; strokes > 1500 mm: 0.4 bar | | | |
| Notes | | For speeds lower than 0.2 m/s to prevent surging, use the version No stick-slip and non-lubricated air. † Maximum recommended strokes. Higher values can create operating problems | | | |
| Forces generated at 6 bar thrust/retraction | | See page 1-7 | | | |
| Weights | | See page 1-8 | | | |

COMPONENTS

- ① PISTON ROD: C45 steel or stainless steel, thick chromed
- ② HEAD: die cast aluminium
- ③ PISTON ROD GASKET: polyurethane, NBR or FKM/FPM
- ④ GUIDE BUSHING: steel strip with bronze and PTFE insert
- ⑤ BARREL: drawn anodised calibrated aluminium
- ⑥ HALF-PISTON: self-lubricating technopolymer with built-in cushioning olives (aluminium with PTFE pad for diameters 80-100-125)
- ⑦ PISTON GASKET: polyurethane, NBR or FKM/FPM
- ⑧ MAGNET: plastoferrite
- ⑨ BUFFER + Static O-rings: NBR or FKM/FPM
- ⑩ CUSHIONING GASKET: polyurethane, NBR or FKM/FPM
- ⑪ CUSHIONING NEEDLE: OT 58 with needle out movement safety system even when fully open
- ⑫ SCREWS: Tap Tite for assembly



ISO 15552 CYLINDERS – SERIES STD (EX ISO 6431)



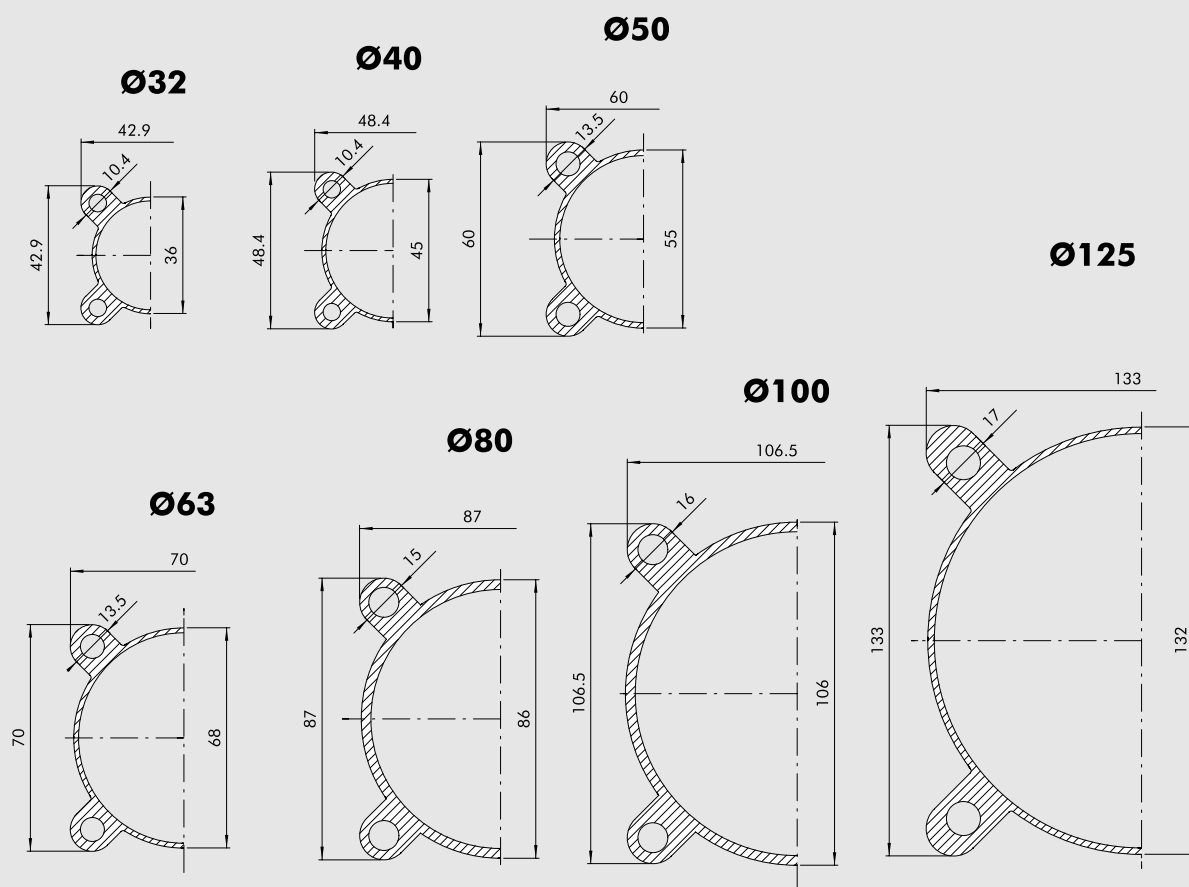
ISO 15552 cylinders, featuring a smooth barrel with no longitudinal slots. This means it is easier to clean the cylinder and there are fewer points where dirt can collect. Specific brackets are required for mounting magnetic sensors.



ACTUATORS

ISO 15552 CYLINDERS – SERIES STD

BARREL CROSS SECTION



KEY TO CODES CYLINDER ISO 15552 STD

| CYL | 1 2 1 TYPE | 0 | 3 2 BORE | 0 0 5 0 STROKE | C MATERIAL | P GASKETS |
|-----|--|---|----------------|--|--|---|
| | 120 Double-acting, cushioned, non-magnetic | 0 Diameter S Non-magnetic ▲ G No stick slip | 32 40 50 | For the maximum suppliable strokes, look at the technical data | A C45 chromed rod, aluminium piston rod: standard for all cylinders with ≥ 1000 mm-stroke cylinders and for cylinder with Ø 80 mm and over | N NBR gaskets P Polyurethane gaskets V FKM/FPM gaskets ● B Low temperature |
| | 121 Double-acting, cushioned | | 63 | | C C45 chromed rod, technopolymer piston: standard for cylinders of Ø 32 to 63 mm with <1000 mm strokes | |
| | 122 Through-rod | | ■ 100 | | Z Stainless steel piston rod and nut aluminium piston | |
| | 124 Double-acting, non-cushioned | | ■ 125 | | X Stainless steel piston rod and nut technopolymer piston | |
| | 125 Opposed | | | | | |
| | + 126 Single-acting | | | | | |
| | 127 Tandem | | | | | |
| | * 134 Rod lock version | | | | | |
| | * 136 Version with piston rod lock | | | | | |
| | * ♦ 137 Piston rod lock + guide unit | | | | | |

- In the code of cylinder with letter in fourth position Ø 100 becomes A1; Ø 125 becomes A2
- Only available for versions with aluminium piston (A or Z)
- + Available until Ø 63 and only the versions with piston in aluminum (A or Z)
- ▲ For speeds lower than 0.2 m/s, to prevent surging. Use no-lubricated air only
- ♦ Available up to Ø 100
- * Not available for gaskets V or B

KEY TO CODES CYLINDER ISO 15552 STD LOW-FRICTION

| CYL | 1 2 3 TYPE | A | 3 2 BORE | 0 0 5 0 STROKE | C MATERIAL | P GASKETS |
|-----|------------------------|---|--------------------------|---------------------|--|--|
| | A Low friction, type A | | 32 | Ø 32 to 80 | A C45 chromed rod, aluminium piston rod: standard for all cylinders with ≥ 1000 mm-stroke cylinders and for cylinder with Ø 80 mm and over | N NBR gaskets P Polyurethane gaskets V FKM/FPM gaskets |
| | B Low friction, type B | | 40 | stroke 1 to 2800 mm | | |
| | C Low friction, type C | | 50 | Ø 100 to 125 | C C45 chromed rod, technopolymer piston: standard for cylinders of Ø 32 to 63 mm with <1000 mm strokes | |
| | D Low friction, type D | | 63 | stroke 1 to 2600 mm | Z Stainless steel piston rod and nut aluminium piston | |
| | E Low friction, type E | | 80 | | X Stainless steel piston rod and nut technopolymer piston | |
| | F Low friction, type F | | A1 = Ø 100 A2 = Ø 125 | | | |

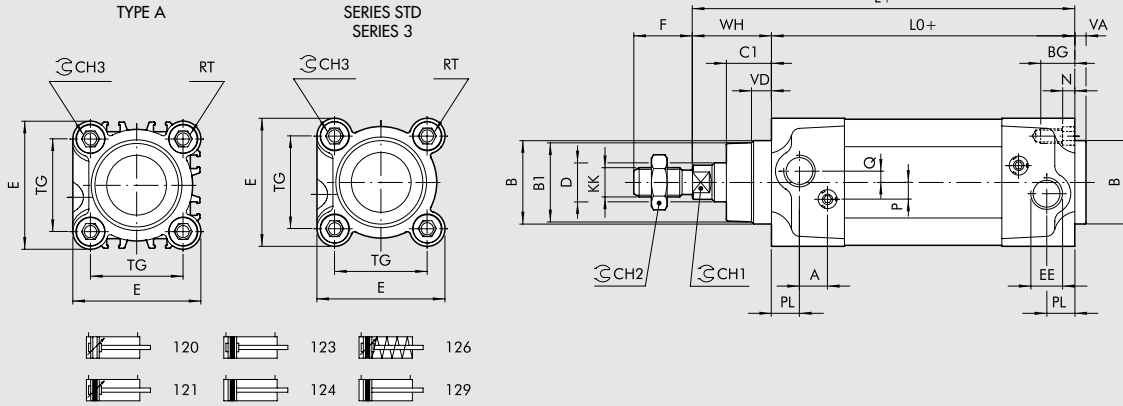
KEY TO CODES CYLINDER ISO 15552 STD LONG-CUSHIONING

| CYL | 1 3 1 TYPE | A | 3 2 BORE | 0 0 5 0 STROKE | C MATERIAL | P GASKETS |
|-----|---|---|-------------|-------------------|---|--|
| | A 200 mm front/rear cushioning cone – 200 mm ext. | | 32 | 1 to 2600 mm | A C45 chromed rod, aluminium piston rod for all sizes | N NBR gaskets P Polyurethane gaskets V FKM/FPM gaskets |
| | B 150 mm front/rear cushioning cone – 150 mm ext. | | 40 | | Z Stainless steel piston rod and nut aluminium piston | |
| | C 100 mm front/rear cushioning cone – 100 mm ext. | | 50 | | | |
| | D 150 mm front/rear cushioning cone – 200 mm ext. | | 63 | | | |
| | E 100 mm front/rear cushioning cone – 200 mm ext. | | | | | |
| | F 50 mm front/rear cushioning cone – 100 mm ext. | | | | | |
| | G 100 mm front/rear cushioning cone – 150 mm ext. | | | | | |
| | H 200 mm front cushioning cone – 200 mm ext. | | | | | |
| | I 150 mm front cushioning cone – 150 mm ext. | | | | | |
| | L 100 mm front cushioning cone – 100 mm ext. | | | | | |
| | M 150 mm front cushioning cone – 200 mm ext. | | | | | |
| | N 100 mm front cushioning cone – 150 mm ext. | | | | | |
| | O 50 mm front cushioning cone – 100 mm ext. | | | | | |
| | Q 200 mm rear cushioning cone – 200 mm ext. | | | | | |
| | R 150 mm rear cushioning cone – 150 mm ext. | | | | | |
| | S 100 mm rear cushioning cone – 100 mm ext. | | | | | |
| | T 150 mm rear cushioning cone – 200 mm ext. | | | | | |
| | U 100 mm rear cushioning cone – 200 mm ext. | | | | | |
| | V 50 mm rear cushioning cone – 100 mm ext. | | | | | |

ISO 15552 CYLINDERS DIMENSIONS

DIMENSIONS OF STANDARD VERSION

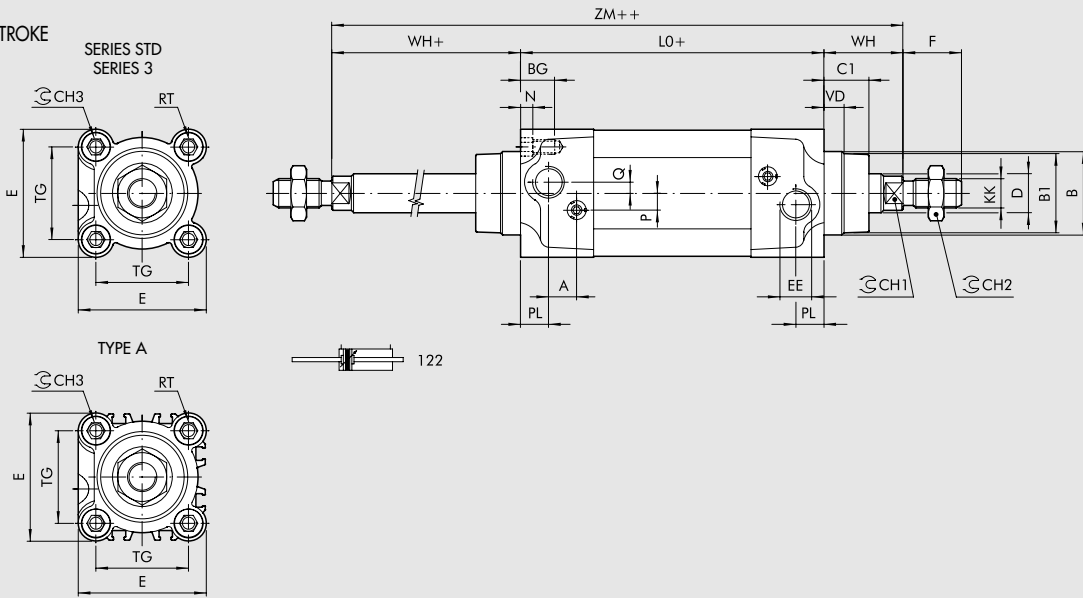
+ = ADD THE STROKE



DIMENSIONS OF THROUGH-ROD VERSION

+ = ADD THE STROKE

++ = ADD TWICE THE STROKE



| Ø | PL | VD | A | B | B ₁ | WH | C ₁ | CH ₁ | CH ₂ | CH ₃ | KK | D | TG | VA | F | EE | RT | E | L | L ₀ | ZM | BG | N | P | Q |
|-----|----|-----|----|----|----------------|----|----------------|-----------------|-----------------|-----------------|----------|----|------|----|----|------|-----|------|-----|----------------|-----|------|-----|----|---|
| 32 | 10 | 6.5 | 10 | 30 | 28 | 26 | 16 | 10 | 17 | 6 | M10x1.25 | 12 | 32.5 | 4 | 22 | G1/8 | M6 | 46 | 120 | 94 | 146 | 14.5 | 4.5 | 6 | 4 |
| 40 | 12 | 8 | 10 | 35 | 33 | 30 | 20 | 13 | 19 | 6 | M12x1.25 | 16 | 38 | 4 | 24 | G1/4 | M6 | 54 | 135 | 105 | 165 | 14.5 | 4.5 | 6 | 4 |
| 50 | 14 | 13 | 10 | 40 | 38 | 37 | 25 | 17 | 24 | 8 | M16x1.5 | 20 | 46.5 | 4 | 32 | G1/4 | M8 | 64.5 | 143 | 106 | 180 | 17.5 | 5.5 | 6 | 6 |
| 63 | 16 | 14 | 10 | 45 | 40 | 37 | 25 | 17 | 24 | 8 | M16x1.5 | 20 | 56.5 | 4 | 32 | G3/8 | M8 | 75.5 | 158 | 121 | 195 | 17.5 | 5.5 | 6 | 6 |
| 80 | 18 | 12 | 12 | 45 | 43 | 46 | 33 | 22 | 30 | 10 | M20x1.5 | 25 | 72 | 4 | 40 | G3/8 | M10 | 94 | 174 | 128 | 220 | 21.5 | 5.5 | 10 | 7 |
| 100 | 20 | 14 | 12 | 55 | 49 | 51 | 38 | 22 | 30 | 10 | M20x1.5 | 25 | 89 | 4 | 40 | G1/2 | M10 | 111 | 189 | 138 | 240 | 21.5 | 5.5 | 10 | 7 |
| 125 | 25 | 20 | 10 | 60 | 54 | 65 | 45 | 27 | 41 | 12 | M27x2 | 32 | 110 | 6 | 54 | G1/2 | M12 | 135 | 225 | 160 | 290 | 25.5 | 6.5 | 12 | 8 |

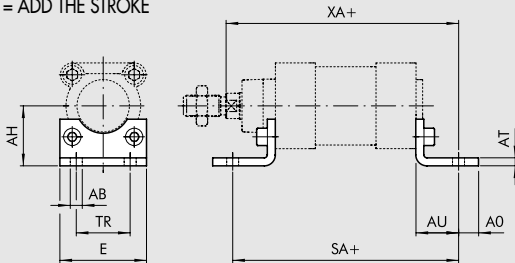
VERSION 126 (SINGLE-ACTING)

| | Upper limit | Stroke | Lower limit | L0 - Ø 32 | L0 - Ø 40 | L0 - Ø 50 | L0 - Ø 63 | L - Ø 32 | L - Ø 40 | L - Ø 50 | L - Ø 63 |
|---------|-------------|--------|-------------|-----------|-----------|-----------|-----------|----------|----------|----------|----------|
| ISO | 0 | < C ≤ | 25 | 94 | 105 | 106 | 121 | 120 | 135 | 143 | 158 |
| ISO | 25 | < C ≤ | 50 | 94 | 105 | 106 | 121 | 120 | 135 | 143 | 158 |
| NON ISO | 50 | < C ≤ | 75 | 115 | 129.5 | 130.5 | 145.5 | 141 | 159.5 | 167.5 | 182.5 |
| NON ISO | 75 | < C ≤ | 100 | 136 | 154 | 155 | 170 | 162 | 184 | 192 | 207 |
| NON ISO | 100 | < C ≤ | 125 | 157 | 178.5 | 179.5 | 194.5 | 183 | 208.5 | 216.5 | 231.5 |
| NON ISO | 125 | < C ≤ | 150 | 178 | 203 | 204 | 219 | 204 | 233 | 241 | 256 |
| NON ISO | 150 | < C ≤ | 175 | 199 | 227.5 | 228.5 | 243.5 | 225 | 257.5 | 265.5 | 280.5 |
| NON ISO | 175 | < C ≤ | 200 | 220 | 252 | 253 | 268 | 246 | 282 | 290 | 305 |
| NON ISO | 200 | < C ≤ | 225 | 241 | 276.5 | 277.5 | 292.5 | 267 | 306.5 | 314.5 | 329.5 |
| NON ISO | 225 | < C ≤ | 250 | 262 | 301 | 302 | 317 | 288 | 331 | 339 | 354 |

ACCESSORIES FOR ISO 15552 STD, TYPE A, SERIES 3, TWO FLAT: FIXINGS

FOOT - MODEL A

+ = ADD THE STROKE

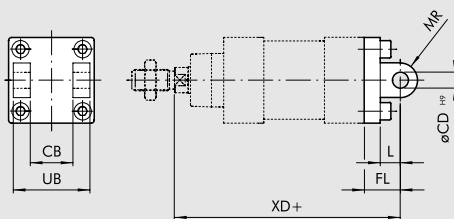


| Code | Ø | Ø AB | AH | AO | AT | AU | TR | E | XA | SA | Weight [g] |
|-------------|-----|------|----|----|----|----|----|-----|-----|-----|------------|
| W0950322001 | 32 | 7 | 32 | 11 | 4 | 24 | 32 | 45 | 144 | 142 | 76 |
| W0950402001 | 40 | 9 | 36 | 15 | 4 | 28 | 36 | 52 | 163 | 161 | 100 |
| W0950502001 | 50 | 9 | 45 | 15 | 4 | 32 | 45 | 65 | 175 | 170 | 162 |
| W0950632001 | 63 | 9 | 50 | 15 | 6 | 32 | 50 | 75 | 190 | 185 | 266 |
| W0950802001 | 80 | 12 | 63 | 20 | 6 | 41 | 63 | 95 | 215 | 210 | 456 |
| W0951002001 | 100 | 14 | 71 | 25 | 6 | 41 | 75 | 115 | 230 | 220 | 572 |
| W0951252001 | 125 | 16 | 90 | 15 | 7 | 45 | 90 | 140 | 270 | 250 | 1130 |

Note: individually packed with 2 screws

FEMALE HINGE - MODEL B

+ = ADD THE STROKE

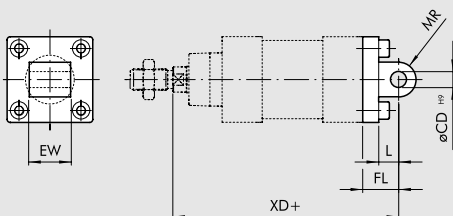


| Code | Ø | UB | CB | FL | øCD | XD | MR | L | Weight [g] |
|-------------|-----|-----|----|----|-----|-----|----|----|------------|
| W0950322003 | 32 | 45 | 26 | 22 | 10 | 142 | 10 | 12 | 116 |
| W0950402003 | 40 | 52 | 28 | 25 | 12 | 160 | 12 | 15 | 160 |
| W0950502003 | 50 | 60 | 32 | 27 | 12 | 170 | 12 | 15 | 252 |
| W0950632003 | 63 | 70 | 40 | 32 | 16 | 190 | 16 | 20 | 394 |
| W0950802003 | 80 | 90 | 50 | 36 | 16 | 210 | 16 | 20 | 670 |
| W0951002003 | 100 | 110 | 60 | 41 | 20 | 230 | 20 | 25 | 1085 |
| W0951252003 | 125 | 130 | 70 | 50 | 25 | 275 | 25 | 30 | 2000 |

Note: Supplied with 4 screws, 4 washers, 2 snap-rings, 1 pin

MALE HINGE - MODEL BA

+ = ADD THE STROKE

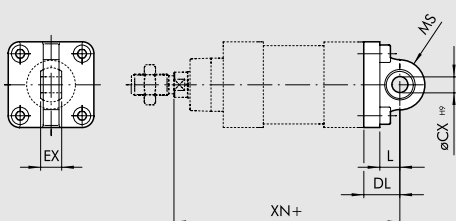


| Code | Ø | EW | FL | MR | øCD | L | XD | Weight [g] |
|-------------|-----|----|----|----|-----|----|-----|------------|
| W0950322004 | 32 | 26 | 22 | 11 | 10 | 12 | 142 | 94 |
| W0950402004 | 40 | 28 | 25 | 13 | 12 | 15 | 160 | 124 |
| W0950502004 | 50 | 32 | 27 | 13 | 12 | 15 | 170 | 220 |
| W0950632004 | 63 | 40 | 32 | 17 | 16 | 20 | 190 | 316 |
| W0950802004 | 80 | 50 | 36 | 17 | 16 | 20 | 210 | 578 |
| W0951002004 | 100 | 60 | 41 | 21 | 20 | 25 | 230 | 850 |
| W0951252004 | 125 | 70 | 50 | 26 | 25 | 30 | 275 | 1590 |

Note: Supplied with 4 screws, 4 washers

ARTICULATED MALE HINGE - MODEL BAS

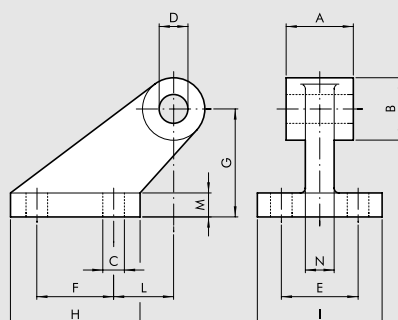
+ = ADD THE STROKE



| Code | Ø | DL | MS | L | XN | øCX | EX | Weight [g] |
|-------------|-----|----|----|----|-----|-----|----|------------|
| W0950322006 | 32 | 22 | 16 | 12 | 142 | 10 | 14 | 106 |
| W0950402006 | 40 | 25 | 19 | 15 | 160 | 12 | 16 | 142 |
| W0950502006 | 50 | 27 | 19 | 15 | 170 | 12 | 16 | 236 |
| W0950632006 | 63 | 32 | 24 | 20 | 190 | 16 | 21 | 336 |
| W0950802006 | 80 | 36 | 24 | 20 | 210 | 16 | 21 | 572 |
| W0951002006 | 100 | 41 | 30 | 25 | 230 | 20 | 25 | 840 |
| W0951252006 | 125 | 50 | 36 | 30 | 275 | 25 | 31 | 1520 |

Note: Supplied with 4 screws, 4 washers

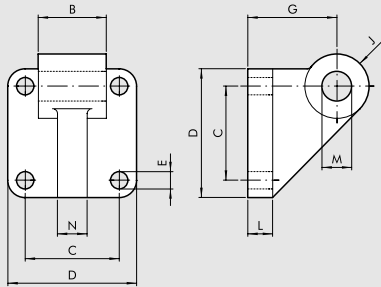
CETOP HINGE FOR MODEL B - MODEL GI



| Code | Ø | A | B | C | D | E | F | G | H | I | L | M | N | Weight [g] |
|-------------|-----|----|----|----|----|----|----|----|-----|----|----|----|----|------------|
| W0950322008 | 32 | 26 | 19 | 7 | 10 | 25 | 20 | 32 | 37 | 41 | 18 | 8 | 10 | 96 |
| W0950402008 | 40 | 28 | 26 | 9 | 12 | 32 | 32 | 45 | 54 | 52 | 25 | 10 | 12 | 216 |
| W0950502008 | 50 | 32 | 26 | 9 | 12 | 32 | 32 | 45 | 54 | 52 | 25 | 10 | 12 | 212 |
| W0950632008 | 63 | 40 | 33 | 11 | 16 | 40 | 50 | 63 | 75 | 63 | 32 | 12 | 15 | 440 |
| W0950802008 | 80 | 50 | 33 | 11 | 16 | 40 | 50 | 63 | 75 | 63 | 32 | 12 | 15 | 464 |
| W0951002008 | 100 | 60 | 44 | 14 | 20 | 50 | 70 | 90 | 103 | 80 | 40 | 16 | 22 | 985 |
| W0951252008 | 125 | 70 | 44 | 14 | 25 | 50 | 70 | 90 | 103 | 80 | 40 | 16 | 22 | 1000 |

Note: Supplied with 4 screws, 4 washers

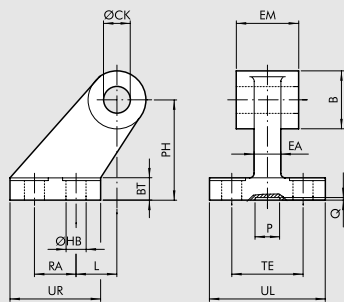
ISO HINGE FOR MODEL B - MODEL GS



| Code | Ø | B | C | D | E | G | J | L | M | N | Weight [g] |
|-------------|-----|------|------|-----|----|----|----|----|----|----|------------|
| W0950322108 | 32 | 25.5 | 32.5 | 45 | 7 | 32 | 11 | 10 | 10 | 10 | 106 |
| W0950402108 | 40 | 27.5 | 38 | 52 | 7 | 36 | 13 | 10 | 12 | 12 | 138 |
| W0950502108 | 50 | 31.5 | 46.5 | 65 | 9 | 45 | 13 | 12 | 12 | 12 | 252 |
| W0950632108 | 63 | 39.5 | 56.5 | 75 | 9 | 50 | 17 | 12 | 16 | 15 | 350 |
| W0950802108 | 80 | 49.5 | 72 | 95 | 11 | 63 | 17 | 16 | 16 | 15 | 655 |
| W0951002108 | 100 | 59.5 | 89 | 115 | 11 | 73 | 21 | 16 | 20 | 22 | 980 |

Note: Supplied with 4 screws, 4 washers

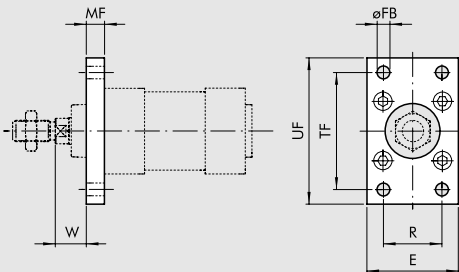
ISO 15552 HINGE FOR MODEL B - MODEL AB7



| Code | Ø | EM | B | ØHB | ØCK | TE | RA | PH | UR | UL | L | BT | EA | P | Q | Weight [g] |
|-------------|-----|----|----|-----|-----|----|----|----|----|-----|----|-----|-----|----|---|------------|
| W0950322017 | 32 | 26 | 20 | 6.6 | 10 | 38 | 18 | 32 | 31 | 51 | 3 | 8 | 10 | 21 | 3 | 60 |
| W0950402017 | 40 | 28 | 22 | 6.6 | 12 | 41 | 22 | 36 | 35 | 54 | 2 | 10 | 15* | 21 | 3 | 85 |
| W0950502017 | 50 | 32 | 26 | 9 | 12 | 50 | 30 | 45 | 45 | 65 | 3 | 12 | 16 | 21 | 3 | 162 |
| W0950632017 | 63 | 40 | 30 | 9 | 16 | 52 | 35 | 50 | 50 | 67 | 2 | 14* | 16 | 21 | 3 | 191 |
| W0950802017 | 80 | 50 | 30 | 11 | 16 | 66 | 40 | 63 | 60 | 86 | 7 | 14 | 20 | 21 | 3 | 332 |
| W0951002017 | 100 | 60 | 38 | 11 | 20 | 76 | 50 | 71 | 70 | 96 | 5 | 17* | 20 | 11 | 3 | 522 |
| W0951252017 | 125 | 70 | 45 | 14 | 25 | 94 | 60 | 90 | 90 | 124 | 10 | 20 | 30 | 21 | 3 | 960 |

* Dimensions not to ISO 15552

FRONT FLANGE - MODEL C

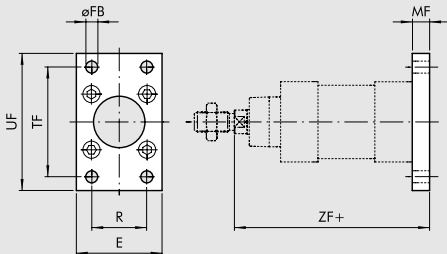


| Code | Ø | TF | UF | E | MF | R | øFB | W | Weight [g] |
|-------------|-----|-----|-----|-----|----|----|-----|----|------------|
| W0950322002 | 32 | 64 | 80 | 50 | 10 | 32 | 7 | 16 | 246 |
| W0950402002 | 40 | 72 | 90 | 55 | 10 | 36 | 9 | 20 | 290 |
| W0950502002 | 50 | 90 | 110 | 65 | 12 | 45 | 9 | 25 | 522 |
| W0950632002 | 63 | 100 | 120 | 75 | 12 | 50 | 9 | 25 | 670 |
| W0950802002 | 80 | 126 | 153 | 95 | 16 | 63 | 12 | 30 | 1420 |
| W0951002002 | 100 | 150 | 178 | 115 | 16 | 75 | 14 | 35 | 2040 |
| W0951252002 | 125 | 180 | 220 | 140 | 20 | 90 | 16 | 45 | 4300 |

Note: Supplied with 4 screws

REAR FLANGE - MODEL C

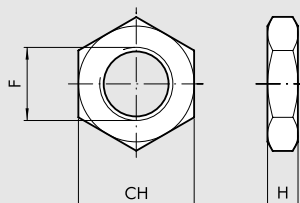
+ = ADD THE STROKE



| Code | Ø | TF | UF | E | MF | R | øFB | ZF | Weight [g] |
|-------------|-----|-----|-----|-----|----|----|-----|-----|------------|
| W0950322002 | 32 | 64 | 80 | 50 | 10 | 32 | 7 | 130 | 246 |
| W0950402002 | 40 | 72 | 90 | 55 | 10 | 36 | 9 | 145 | 290 |
| W0950502002 | 50 | 90 | 110 | 65 | 12 | 45 | 9 | 155 | 522 |
| W0950632002 | 63 | 100 | 120 | 75 | 12 | 50 | 9 | 170 | 670 |
| W0950802002 | 80 | 126 | 153 | 95 | 16 | 63 | 12 | 190 | 1420 |
| W0951002002 | 100 | 150 | 178 | 115 | 16 | 75 | 14 | 205 | 2040 |
| W0951252002 | 125 | 180 | 220 | 140 | 20 | 90 | 16 | 245 | 4300 |

Note: Supplied with 4 screws.

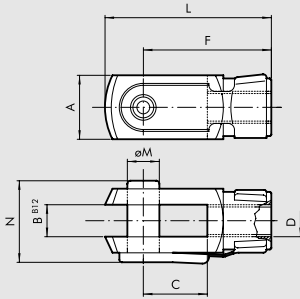
ROD NUT - MODEL S



| Code | Ø | F | H | CH | Weight [g] |
|------------|--------|----------|----|----|------------|
| 0950322010 | 32 | M10x1.25 | 6 | 17 | 6 |
| 0950402010 | 40 | M12x1.25 | 7 | 19 | 12 |
| 0950502010 | 50/63 | M16x1.5 | 8 | 24 | 20 |
| 0950802010 | 80/100 | M20x1.5 | 9 | 30 | 32 |
| 0951252010 | 125 | M27x2 | 12 | 41 | 74 |

Note: Individually packed

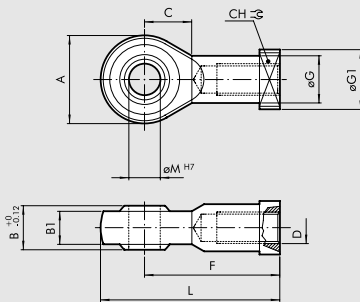
FORK MODEL GK-M



| Code | Ø | øM | C | B | A | L | F | D | N | Weight [g] |
|-------------|-----|----|----|----|----|-----|-----|----------|----|------------|
| W0950322020 | 32 | 10 | 20 | 10 | 20 | 52 | 40 | M10x1.25 | 26 | 92 |
| W0950402020 | 40 | 12 | 24 | 12 | 24 | 62 | 48 | M12x1.25 | 32 | 148 |
| W0950502020 | 50 | 16 | 32 | 16 | 32 | 83 | 64 | M16x1.5 | 40 | 340 |
| W0950502020 | 63 | 16 | 32 | 16 | 32 | 83 | 64 | M16x1.5 | 40 | 340 |
| W0950802020 | 80 | 20 | 40 | 20 | 40 | 105 | 80 | M20x1.5 | 48 | 690 |
| W0950802020 | 100 | 20 | 40 | 20 | 40 | 105 | 80 | M20x1.5 | 48 | 690 |
| W0951252020 | 125 | 30 | 54 | 30 | 55 | 148 | 110 | M27x2 | 65 | 1835 |

Note: Individually packed

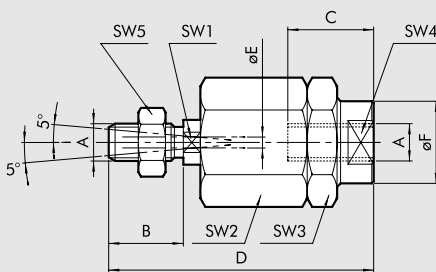
ROD EYE - MODEL GA-M



| Code | Ø | øM | C | B1 | B | A | L | F | D | øG | CH | øG1 | Weight [g] |
|-------------|-----|----|----|------|----|----|-----|-----|----------|------|----|-----|------------|
| W0950322025 | 32 | 10 | 15 | 10.5 | 14 | 28 | 57 | 43 | M10x1.25 | 15 | 17 | 19 | 78 |
| W0950402025 | 40 | 12 | 17 | 12 | 16 | 32 | 66 | 50 | M12x1.25 | 17.5 | 19 | 19 | 116 |
| W0950502025 | 50 | 16 | 22 | 15 | 21 | 42 | 85 | 64 | M16x1.5 | 22 | 22 | 22 | 226 |
| W0950502025 | 63 | 16 | 22 | 15 | 21 | 42 | 85 | 64 | M16x1.5 | 22 | 22 | 22 | 226 |
| W0950802025 | 80 | 20 | 26 | 18 | 25 | 50 | 102 | 77 | M20x1.5 | 27.5 | 30 | 27 | 404 |
| W0950802025 | 100 | 20 | 26 | 18 | 25 | 50 | 102 | 77 | M20x1.5 | 27.5 | 30 | 27 | 404 |
| W0951252025 | 125 | 30 | 36 | 25 | 37 | 70 | 145 | 110 | M27x2 | 40 | 41 | 50 | 1190 |

Note: Individually packed

SELF ALIGNING ROD COUPLER - MODEL GA-K



| Code | Ø | A | B | C | D | øF | øE | SW ₁ | SW ₂ | SW ₃ | SW ₄ | SW ₅ | Weight [g] |
|-------------|-----|----------|----|----|-----|----|----|-----------------|-----------------|-----------------|-----------------|-----------------|------------|
| W0950322030 | 32 | M10x1.25 | 20 | 20 | 71 | 22 | 4 | 12 | 30 | 30 | 19 | 17 | 216 |
| W0950402030 | 40 | M12x1.25 | 24 | 20 | 75 | 22 | 4 | 12 | 30 | 30 | 19 | 19 | 220 |
| W0950502030 | 50 | M16x1.5 | 32 | 32 | 103 | 32 | 4 | 20 | 41 | 41 | 30 | 24 | 620 |
| W0950502030 | 63 | M16x1.5 | 32 | 32 | 103 | 32 | 4 | 20 | 41 | 41 | 30 | 24 | 620 |
| W0950802030 | 80 | M20x1.5 | 40 | 40 | 119 | 32 | 4 | 20 | 41 | 41 | 30 | 30 | 680 |
| W0950802030 | 100 | M20x1.5 | 40 | 40 | 119 | 32 | 4 | 20 | 41 | 41 | 30 | 30 | 680 |

Note: Individually packed

NOTES