



- A PART OF ADDTECH GROUP

DATA SHEET

Customer:	Impexron
Ref.:	
Order:	
Motor:	
Serial nr:	
Date:	30-05-2017

ASYNCHRONOUS MOTOR 4A3 100L1-4

Nameplate data:

Code: 121149

Type:	4A3 100L1-4			IP55	F/B	Amb. temp.: Max. 40°		
kW	Hz	V	A	Rpm	Cos	Eff. 100%	Duty	IE.class
2,20	50	230D	7,83	1450	0,81	86,9%	S1	IE3
2,20	50	400 Y	4,50	1450	0,81	86,9%		
2,64	60	460 Y	4,70	1740	0,81	86,9%		

Description:

Mounting form:	B14
Bearing DE:	6206-2Z/C3
Bearing NDE:	6206-2Z/C3
Weight - Kg.:	24
Heater:	No Heater
PTC:	No PTC
Kgm ² :	0,0054
Sound press.-db(A):	53,0

Other:

Test data S1-duty, Amb.temp 40°C:

Voltage - V:	400
Frequency - Hz:	50
Power - kW:	2,20
Full load speed - Rpm:	1450
Full load current - A:	4,50
Full load power factor - Cos:	0,81
Locked rotor current - A:	34,2
Locked rotor factor - A _{st} /A _n :	7,6

Efficiency 100% load - %:	86,9%
Efficiency 75% load - %:	87,4%
Efficiency 50% load - %:	85,9%
Full load torque - Nm:	14,5
Locked rotor torque - Nm:	33,3
Locked rotor torque - Nm _{st} /Nm _n :	2,3
Max. Pull out torque - Nm:	33,3
Max. Pull out torque. - Nm _{st} /Nm _n :	2,3

Over load/speed test	kW	Hz	V	A	Rpm
Over load 160% - 15sec.	3,52	50	400	7,20	1450
Over speed 125% - 2 min.	2,2	63	400	4,50	1813
H-Pot test voltage: 1800V			Temp. rise in stator:		

The motor is produced in accordance with following harmonized standards:

IEC60034-1, IEC60034-2, IEC60034-5, IEC60034-6, IEC60034-7, IEC60034-8, IEC60034-9
IEC60034-12, IEC60034-14, IEC60034-30, IEC60072.

Additional specifications in accordance with:

RINA - GL - LRS - BV - DNV - ABS - KR - RR - CCS - CCC - RMRS.

Bevi Group:

BEVI AB, Sweden	www.bevi.se	sales@bevi.se	+46 499 271 00
BEVI Nord AB, Sweden	www.bevi.se	bevinord@bevi.se	+46 90 70 44 30
BEVI A/S, Denmark	www.bevi.dk	bevi@bevi.dk	+45 39 67 36 05
BEVI Norge A/S, Norway	www.bevi.no	info@bevi.no	+47 22 07 66 50
BEVI Finland OY AB, Finland	www.bevi.fi	info@bevi.fi	+358 9 2709 1210
BEVI Est Oü, Estonia	www.bevi.ee	bevi@bevi.ee	+372 6828 755
BEVI UAB, Lithuania	www.bevi.lt	info@bevi.lt	+370 5 2611 112
BEVI CHINA, China	www.bevi.cn	sales@bevi.cn	+86 21 5032 5200

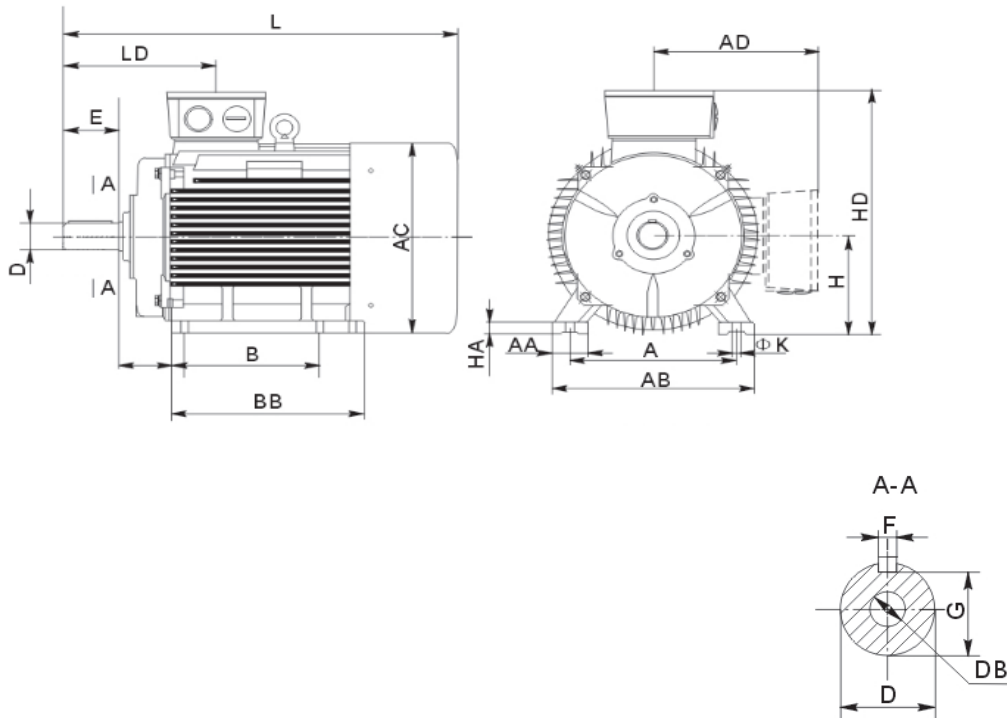


- A PART OF ADDTECH GROUP

DATA SHEET

Customer:	Impexron
Ref.:	
Order:	
Motor:	
Serial nr:	
Date:	30-05-2017

Foot mounted motor 4A3 100L1-4 B3



A: 160	HD: 266	E: 60
B: 140	C: 63	D: 28
AB: 196	H: 100	G: 24
AC: 205	K: 12	DB: M10
AD: 168	L: 436	F: 8
	L (V1): 486	

Bevi Group:

BEVI AB, Sweden
 BEVI Nord AB, Sweden
 BEVI A/S, Denmark
 BEVI Norge A/S, Norway
 BEVI Finland OY AB, Finland
 BEVI Est Oü, Estonia
 BEVI UAB, Lithuania
 BEVI CHINA, China

www.bevi.se
 www.bevi.se
 www.bevi.dk
 www.bevi.no
 www.bevi.fi
 www.bevi.ee
 www.bevi.lt
 www.bevi.cn

sales@bevi.se
 bevinord@bevi.se
 bevi@bevi.dk
 info@bevi.no
 info@bevi.fi
 bevi@bevi.ee
 info@bevi.lt
 sales@bevi.cn

+46 499 271 00
 +46 90 70 44 30
 +45 39 67 36 05
 +47 22 07 66 50
 +358 9 2709 1210
 +372 6828 755
 +370 5 2611 112
 +86 21 5032 5200

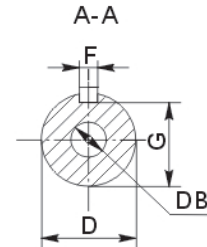
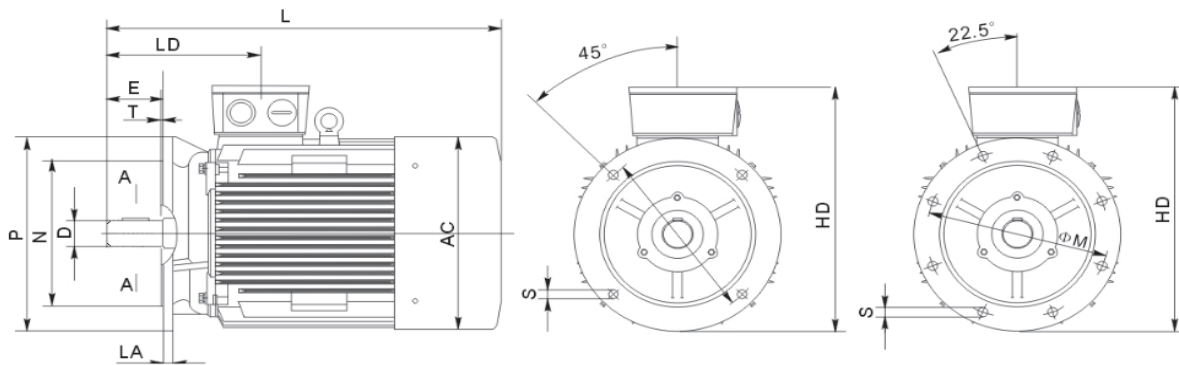


- A PART OF ADDTECH GROUP

DATA SHEET

Customer:	Impexron
Ref.:	
Order:	
Motor:	
Serial nr:	
Date:	30-05-2017

Flange mounted motor 4A3 100L1-4 B5 (V1)



M: 215	HD: 266	E: 60
N: 180	L: 436	D: 28
P: 250	L (V1): 486	G: 24
S: 15		DB: M10
		F: 8

Bevi Group:

BEVI AB, Sweden
 BEVI Nord AB, Sweden
 BEVI A/S, Denmark
 BEVI Norge A/S, Norway
 BEVI Finland OY AB, Finland
 BEVI Est Oü, Estonia
 BEVI UAB, Lithuania
 BEVI CHINA, China

www.bevi.se
 www.bevi.se
 www.bevi.dk
 www.bevi.no
 www.bevi.fi
 www.bevi.ee
 www.bevi.lt
 www.bevi.cn

sales@bevi.se
 bevinord@bevi.se
 bevi@bevi.dk
 info@bevi.no
 info@bevi.fi
 bevi@bevi.ee
 info@bevi.lt
 sales@bevi.cn

+46 499 271 00
 +46 90 70 44 30
 +45 39 67 36 05
 +47 22 07 66 50
 +358 9 2709 1210
 +372 6828 755
 +370 5 2611 112
 +86 21 5032 5200

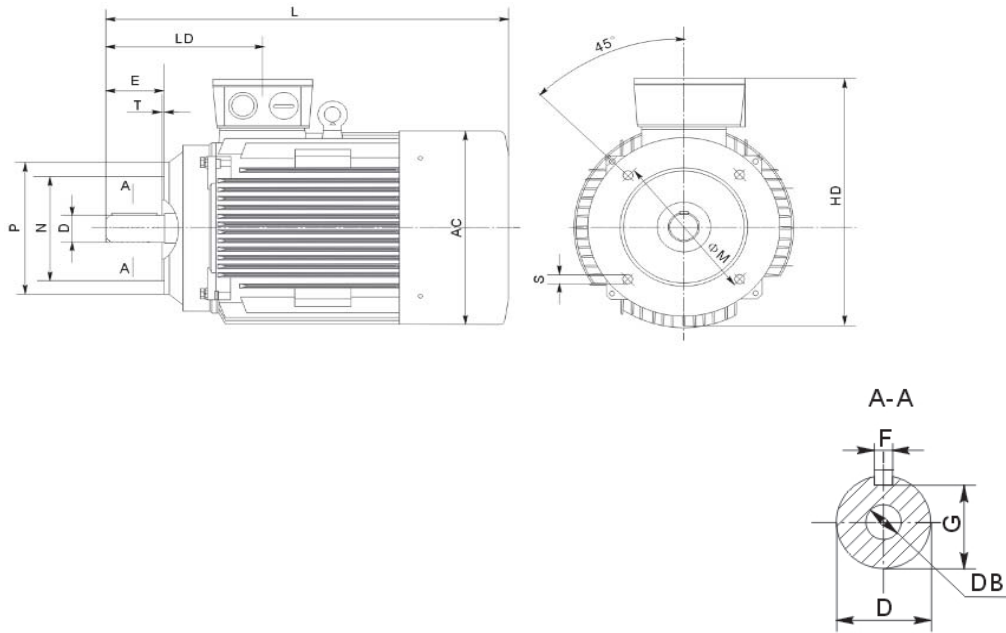


- A PART OF ADDTECH GROUP

DATA SHEET

Customer:	Impexron
Ref.:	
Order:	
Motor:	
Serial nr:	
Date:	30-05-2017

Flange mounted motor B14A & B14B



Flange type: B14A

M: 130
N: 110
P: 160
S: M8

B14B

165
130
200
M10

HD: 266
L: 436
L (V1): 486

E: 60
D: 28
G: 24
DB: M10
F: 8

Bevi Group:

BEVI AB, Sweden
BEVI Nord AB, Sweden
BEVI A/S, Denmark
BEVI Norge A/S, Norway
BEVI Finland OY AB, Finland
BEVI Est Oü, Estonia
BEVI UAB, Lithuania
BEVI CHINA, China

www.bevi.se
www.bevi.se
www.bevi.dk
www.bevi.no
www.bevi.fi
www.bevi.ee
www.bevi.lt
www.bevi.cn

sales@bevi.se
bevinord@bevi.se
bevi@bevi.dk
info@bevi.no
info@bevi.fi
bevi@bevi.ee
info@bevi.lt
sales@bevi.cn

+46 499 271 00
+46 90 70 44 30
+45 39 67 36 05
+47 22 07 66 50
+358 9 2709 1210
+372 6828 755
+370 5 2611 112
+86 21 5032 5200

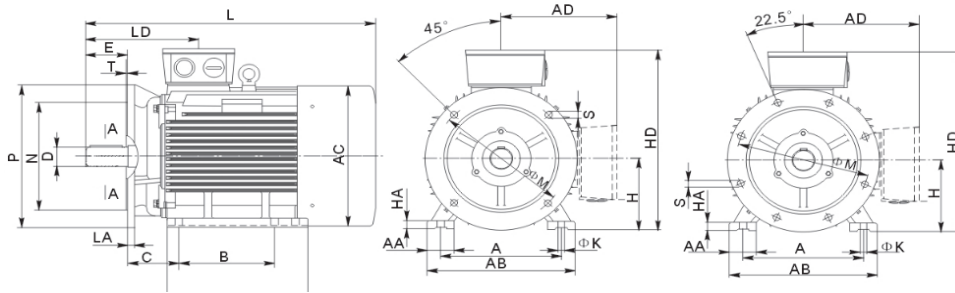


- A PART OF ADDTECH GROUP

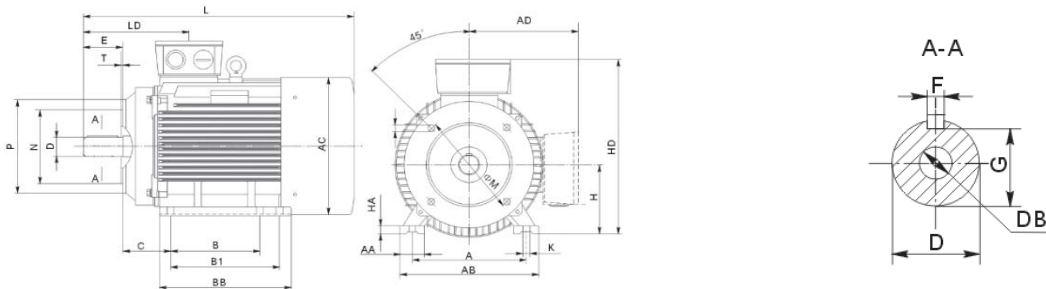
DATA SHEET

Customer:	Impexron
Ref.:	
Order:	
Motor:	
Serial nr:	
Date:	30-05-2017

Foot & flange mounted motor B3/B5



B3/B14A & B3/B14B



Flange type: B5

M: 215
N: 180
P: 250
S: 15

A: 160
B: 140
AB: 196
AC: 205
AD: 168

B14A

M: 130
N: 110
P: 160
S: M8

HD: 266
C: 63
H: 100
K: 12
L: 436

L (V1): 486

B14B

M: 165
N: 130
P: 200
S: M10

E: 60
D: 28
G: 24
DB: M10
F: 8

Bevi Group:

BEVI AB, Sweden
BEVI Nord AB, Sweden
BEVI A/S, Denmark
BEVI Norge A/S, Norway
BEVI Finland OY AB, Finland
BEVI Est Oü, Estonia
BEVI UAB, Lithuania
BEVI CHINA, China

www.bevi.se
www.bevi.se
www.bevi.dk
www.bevi.no
www.bevi.fi
www.bevi.ee
www.bevi.lt
www.bevi.cn

sales@bevi.se
bevinord@bevi.se
bevi@bevi.dk
info@bevi.no
info@bevi.fi
bevi@bevi.ee
info@bevi.lt
sales@bevi.cn

+46 499 271 00
+46 90 70 44 30
+45 39 67 36 05
+47 22 07 66 50
+358 9 2709 1210
+372 6828 755
+370 5 2611 112
+86 21 5032 5200