

202 SERIES

Vertical Hold Down Clamps | Product Overview

Features:

- Two bar styles available
- Low profile T-Handle version available
- Available in stainless steel
- Accommodates M6 or 1/4" spindle accessories
- BLK models feature a black, non-reflective finish

Applications:

- Checking fixtures
- Assembly & test
- Light machining
- Woodworking

Also Available:

See page MC-ACC-1 for accessories

802-U Pneumatic Toggle Clamp
(See page MC-PTC-5)

202-U
Flanged Base
U-Bar



202-UL
Flanged Base
Long U-Bar



202-USS
Flanged Base
U-bar, Stain-
less Steel



202
Flange Base
Solid Bar



202-SS
Flanged Base
Solid Bar
Stainless Steel



202-UB
Straight Base
U-bar



202-B
Straight Base
Solid Bar



202-TU
Flanged Base
U-bar,
T-Handle



202-T
Flanged Base
Solid Bar
T-Handle



202-U-L ⓘ
Flanged Base
Open U-Bar



202-U-L-BLK ⓘ
Blackout Series
Flanged Base
Open U-Bar



202-UB-L ⓘ
Straight Base
Open U-Bar



202-UB-L-BLK ⓘ
Blackout Series
Straight Base
Open U-Bar



202305

Flanged Grip.
Provides added safety
and protection. Fits all
202 Series (except
T-Handle) clamps.
Order separately.

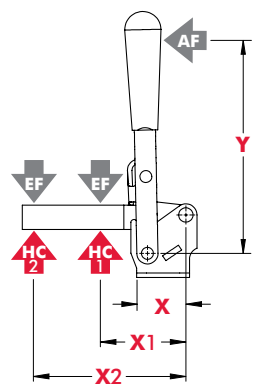


ⓘ This item is available upon request

Model	Max. Holding Capacity	Clamp Bar Opening (+10°)	Handle Opening (+10°)	Weight	Accessories (Supplied)	
					Spindle Assembly	Flanged Washers
202-U	890 N [200 lbf]	105°	65°	0,16kg [0.35lbs]	202208-M	215105
202-UL	890 N [200 lbf]				202943-M	215905
202-USS	1110 N [250 lbf]			202208-M	---	
202	890 N [200 lbf]			205943-M	---	
202-SS	1110 N [250 lbf]			0,16kg [0.35lbs]	202208-M	215105
202-UB	890 N [200 lbf]			0,15kg [0.33lbs]		
202-B	890 N [200 lbf]			0,17kg [0.38lbs]		
202-TU	890 N [200 lbf]			0,16kg [0.35lbs]		
202-U-L ⓘ	890 N [200 lbf]			---	---	
202-U-L-BLK ⓘ	890 N [200 lbf]			---	---	
202-UB-L ⓘ	890 N [200 lbf]			---	---	
202-UB-L-BLK ⓘ	890 N [200 lbf]			---	---	

ⓘ This item is available upon request

Holding Capacities



Model	X	X1	X2	Y	±HC1	±HC2	±EF(X1):AF	±EF(X2):AF
202-U	[0.79] 20	[1.25] 32	[2.25] 57	[3.42] 87	[200 lbf] 890N	[140 lbf] 625N	10:1	5:1
202-UL			[2.88] 73	[200 lbf] 890N	[150 lbf] 670N	4:1		
202-USS		[2.25] 57	[3.00] 76	[250 lbf] 1110N	[170 lbf] 760N	5:1		
202		---	[1.88] 48	[3.42] 87	---	[200 lbf] 890N	---	8:1
202-SS		---	[3.00] 76	---	[250 lbf] 1110N	---	---	---
202-UB		[1.25] 32	[2.25] 57	[3.42] 87	[200 lbf] 890N	[140 lbf] 625N	10:1	5:1
202-B		---	[1.88] 48	---	[200 lbf] 890N	---	---	8:1
202-TU		[1.25] 32	[2.25] 57	[2.13] 54	[200 lbf] 890N	[140 lbf] 625N	11:1	7:1
202-T		---	[1.88] 48	---	[200 lbf] 890N	---	---	6:1
202-U-L ⓘ		---	---	---	---	---	---	---
202-U-L-BLK ⓘ		[1.25] 32	[2.25] 57	[3.42] 87	[200 lbf] 890N	[140 lbf] 625N	10:1	5:1
202-UB-L ⓘ		---	---	---	---	---	---	---
202-UB-L-BLK ⓘ		---	---	---	---	---	---	---

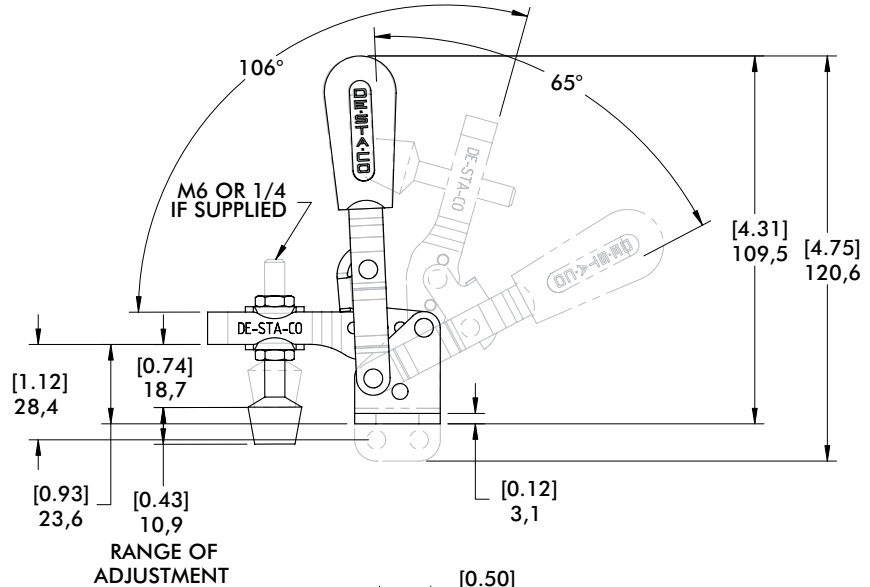
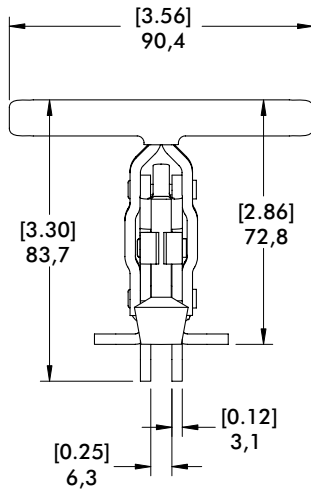
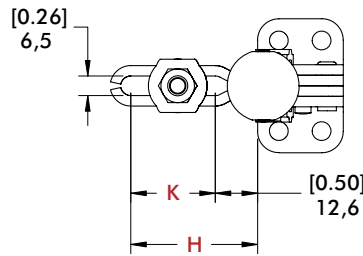
Dimensions shown "mm [inch]" ± HC = Holding Capacity, EF = Exerting Force, AF = Applied Force

ⓘ This item is available upon request

202 SERIES

Vertical Hold Down Clamps | Dimensions | -U/-UL/-USS/-SS/-UB/-B/-TU/-T

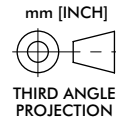
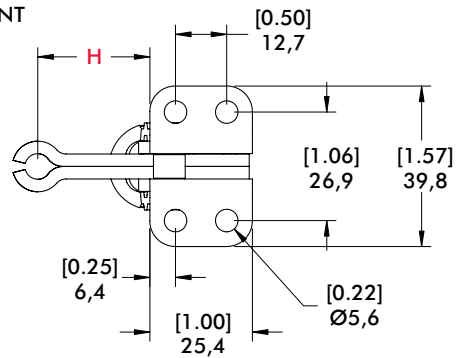
202-U
Flanged Base
U-Bar



Open Bar Option

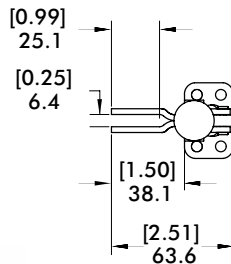


See page
MC-ACC-7
for complete
offering of open
bar accessories



Flanged Base
Model

202-U-L ⓘ
202-U-L-BLK ⓘ



Straight Base
Model

202-UB-L ⓘ
202-UB-L-BLK ⓘ



Bar Style	Clamp Models	H	K
	202-U/202-UB/ 202-USS/202-TU	[1.73] 44,1	[0.98] 25
	202-UL ⓘ	[2.29] 58,1	[1.51] 38,4
	202/202-B/ 202-T/202-SS	[1.08] 27,4	---
	202-U-L ⓘ/ 202-UB-L ⓘ	[1.50] 38,1	---

ⓘ This item is available upon request