

**DAX / DASx / DALx**  
ON/OFF and Floating Actuators

**Application**

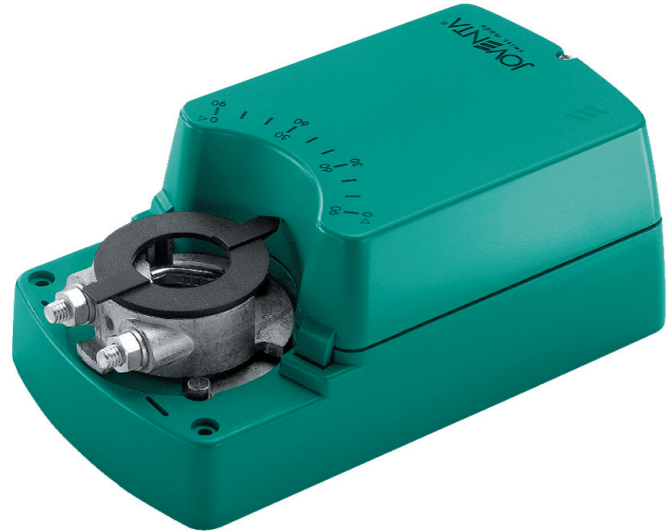
The **JOVENTA STANDARD** electric damper actuator series is designed to operate air dampers in ventilation and air conditioning systems. The compact design and universal adapter fitted with limitation of rotation angle make this JOVENTA actuator highly versatile.

**Features**

- ON/OFF and Floating control
- Load-independent running time
- Up to 5 actuators in parallel operation possible
- Plug-in terminal block connection
- Simple direct-mount with universal adapter on 10...20 mm Ø round axis or 10...16 mm square shaft
- 48 mm minimum damper shaft length
- Selectable direction of rotation
- Limitation of rotation angle
- Manual release button
- 2 adjustable auxiliary switches
- Automatic shut-off at end position (overload switch)
- Energy saving at end positions
- Actuators available with 1.0 m cable
- Customized versions available
- Devices meet CE requirements

**Accessories**

- ZK damper linkage selection
- ZKG ball joints



**Technical Specifications**

Actuator	DAS1..	DA1..	DAL1..	DAS2..	DA2..	DAL2..
<b>Torque</b>	8 Nm	16 Nm	24 Nm	8 Nm	16 Nm	24 Nm
<b>Damper area*</b>	1.5 m <sup>2</sup>	3.0 m <sup>2</sup>	4.5 m <sup>2</sup>	1.5 m <sup>2</sup>	3.0 m <sup>2</sup>	4.5 m <sup>2</sup>
<b>Running Time OPEN</b>	30 s	80 s	125 s	30 s	80 s	125 s
<b>Running Time CLOSE</b>	30 s	80 s	125 s	30 s	80 s	125 s
<b>Supply Voltage</b>	AC/DC 24 V			AC 230 V		
<b>Frequency</b>	50-60 Hz			50-60 Hz		
<b>Power Consumption</b>						
- Running	2.5 W			3.0 W		
- At end position	0.5 W			0.5 W		
<b>Dimensioning</b>	5.0 VA / 3.4 A @ 2 ms			3.6 VA / 0.5 A @ 2 ms		
<b>Control Signal</b>	ON/OFF or Floating					
<b>Position Signal</b>	Potentiometer 0.5 W / ±10%					
<b>Angle of rotation/ Working range</b>	90° (93°mech.)					
<b>Angle of rotation/ Limitation</b>	5°...85° in 5° < steps					
<b>Auxiliary Switches</b>	3(1.5) A, AC 230 V					
- S1 setting range	5°...85° < adjustable					
- S2 setting range						
<b>Cable aperture connection</b>	M16 x 1.5					
<b>Life time</b>	60.000 rotations					
<b>Noise level</b>	45 dB (A)					
<b>Protection Class</b>	II					
<b>Degree of Protection</b>	IP 54					
<b>Mode of Action</b>	Type 1					
<b>Ambient conditions</b>						
- Operating temperature	-20...+50 °C / IEC 721-3-3					
- Storage temperature	-30...+60°C / IEC 721-3-2					
- Humidity	5...95% r.F. no condensed					
<b>Weight</b>	1.1 Kg			1.2 Kg		
<b>Service</b>	Maintenance-free					
<b>Standards</b>						
- Mechanics	EN 60 529 / EN 60 730-2-14					
- Electronics	EN 60 730-2-14					
- EMC Emissions	EN 50 081-1:92 / IEC 61000-6-3:96					
- EMC Immunity	EN 50 082-2:95 / IEC 61000-6-2:99					

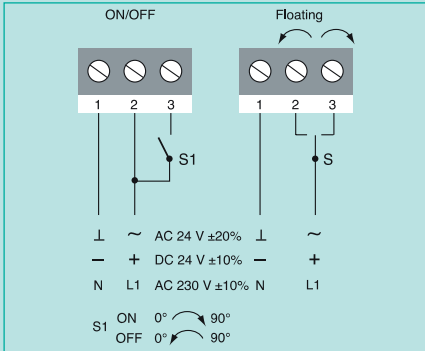
**Ordering Codes**

Codes	Descriptions
<b>DAx1</b>	AC/DC 24 V
<b>DAx1.S</b>	AC/DC 24 V, with 2 auxiliary switches
<b>DAx1.P1</b>	AC/DC 24 V, with 1000 Ω feedback potentiometer
<b>DAx1.P2</b>	AC/DC 24 V, with 140 Ω feedback potentiometer
<b>DAx2</b>	AC 230 V
<b>DAx2.S</b>	AC 230 V, with 2 auxiliary switches
<b>DAx2.P1</b>	AC 230 V, with 1000 Ω feedback potentiometer
<b>DAx2.P2</b>	AC 230 V, with 140 Ω feedback potentiometer

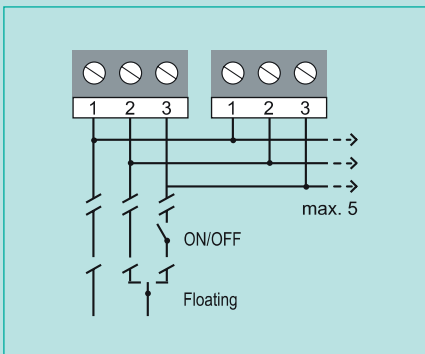
\*Caution: Please note damper manufacturer's information concerning the open/close torque.

**DAX / DASx / DALx**  
ON/OFF and Floating Actuators

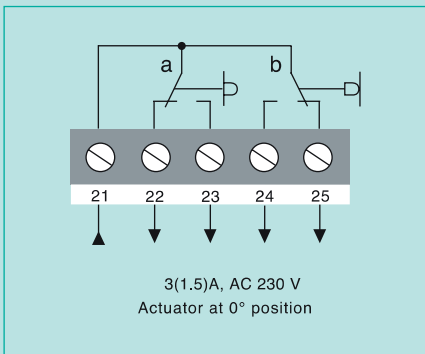
**Wiring Diagrams**



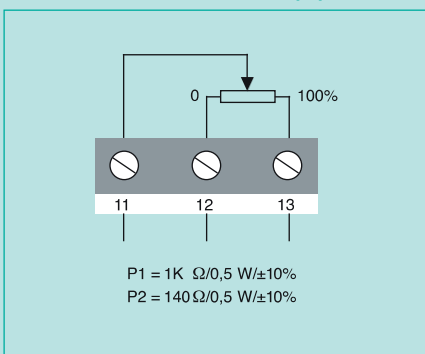
**Parallel Connections**



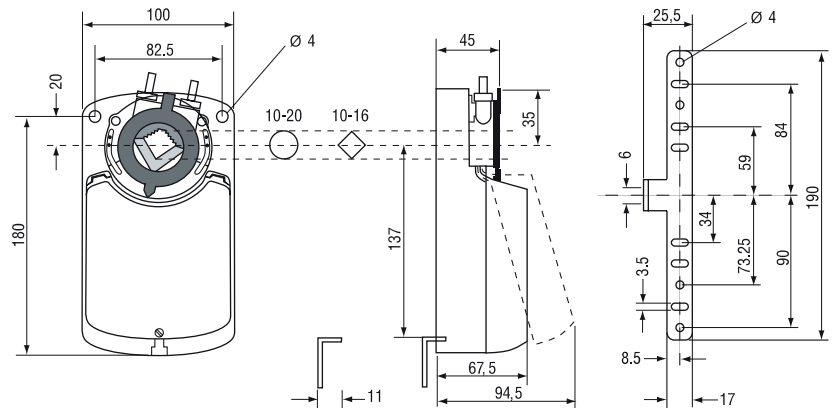
**Auxiliary Switches (S)**



**Potentiometer (P)**



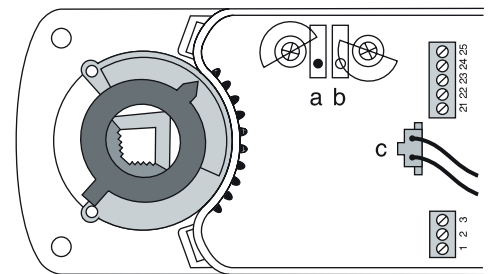
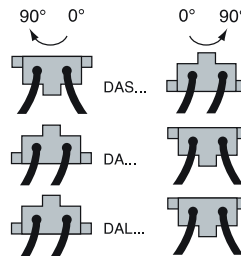
**Dimensions in mm**



**Changing the direction of rotation**

The direction of rotation can be changed by reversing plug **c**

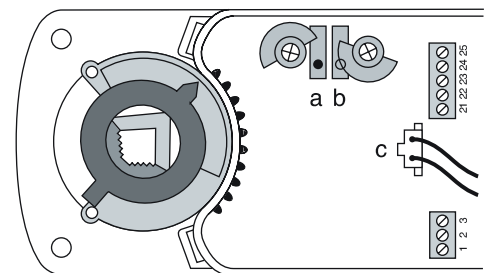
Factory setting:



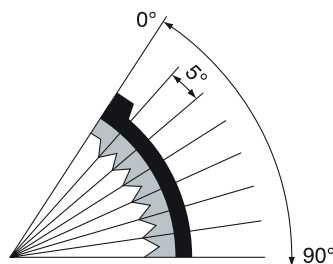
**Setting the auxiliary switches**

Factory setting  
Switch **a** at 10°  
Switch **b** at 80°

The switching position can be manually changed to any required position by turning the ratchet



**Limitation of Rotation angle**



**Adapter release**

