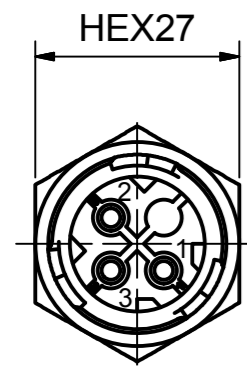


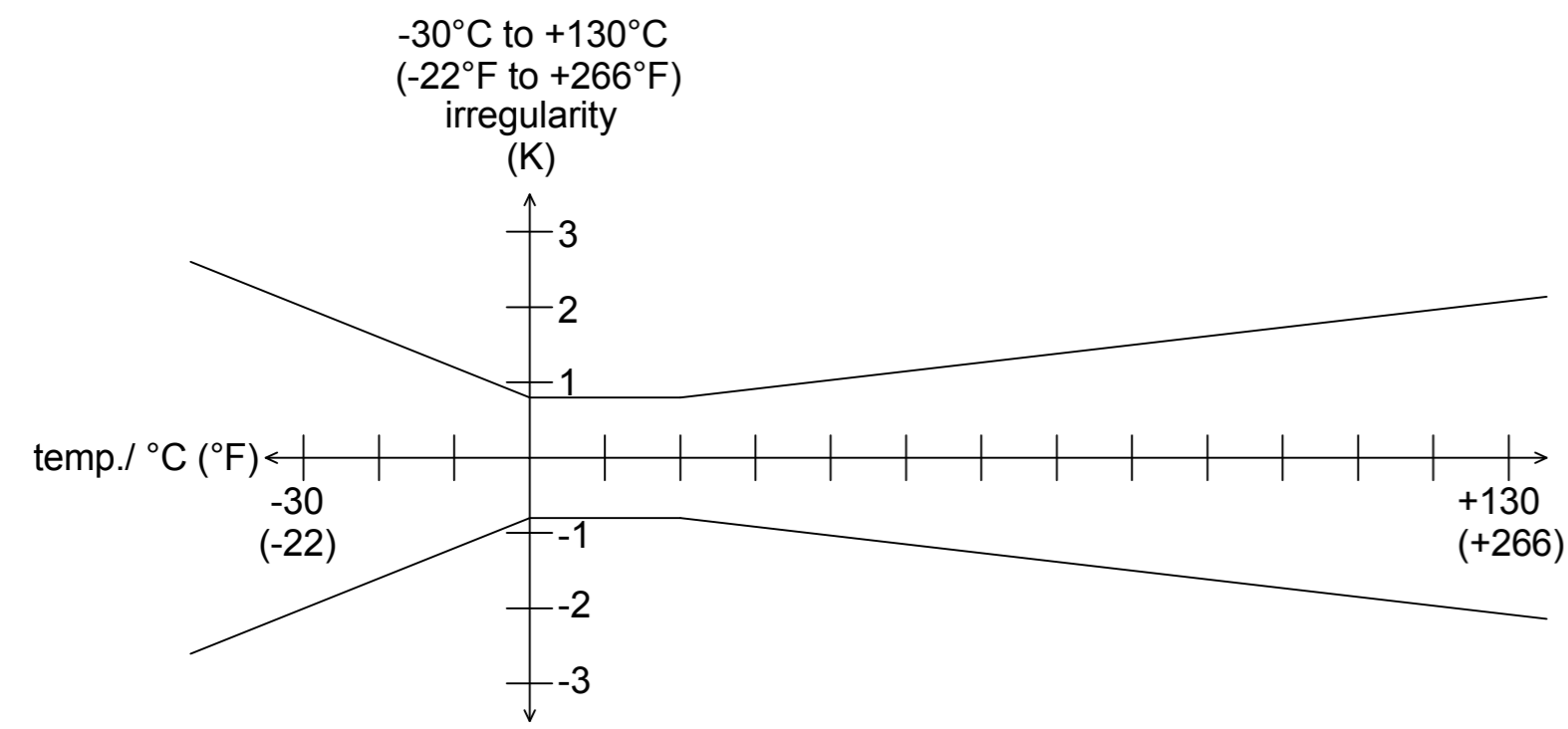
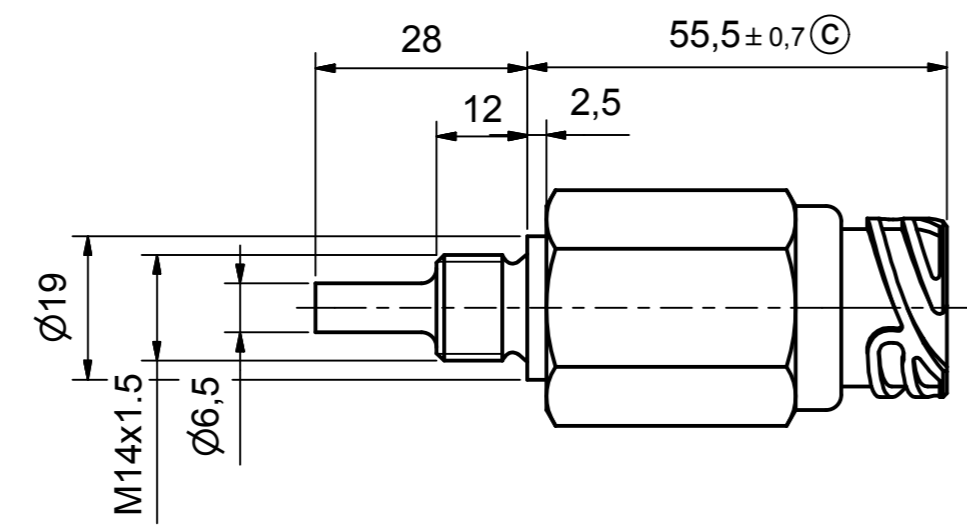
Any non-compliance shall obligate the violator to compensate for damages. In case any patent is issued or a utility model is registered, or in case of any other industrial property rights, all such rights must be reserved for us.

BEDIA Motorentechnik GmbH & Co.KG, Altdorf bei Nürnberg

The copyright to this drawing belongs to us. No duplication or transfer to, providing access to or communicating to any third parties is allowed of its contents or excerpts thereof. This drawing may not be used without our approval for any purpose other than that for which it has been entrusted to the recipient.



1 = positive (+)
2 = negative (-)
3 = output (Uout)



nominal resistance of PT 1000
0,5 V bis 9,5 V

T °C (°F)	U _{out} [V]	PT 1000 R _{nom} [Ω]
-30 (-22)	0,50	882
-20 (-4)	1,08	922
-10 (14)	1,65	961
0 (32)	2,22	1000
10 (50)	2,79	1039
20 (68)	3,36	1078
30 (86)	3,93	1117
40 (104)	4,49	1155
50 (122)	5,06	1194
60 (140)	5,61	1232
70 (158)	6,18	1271
80 (176)	6,74	1309
90 (194)	7,29	1347
100 (212)	7,85	1385
110 (230)	8,40	1423
120 (248)	8,96	1461
130 (266)	9,50	1498

Supplier: BEDIA Motorentechnik GmbH & Co.KG, D-90518 Altdorf bei Nürnberg

Order number: 420503

Mechanical

Data: Housing material: CuZn38Pb2; EN12164, CW608N or CuZn39Pb3; EN12164, CW614N

Mounting thread: M14x1,5 similar DIN3852 T1 Form-A

Connection: connector ISO 15170-A1-3.1-Sn/K1 (former DIN72585)

Marking: manufacturer, manufacturer-part no., costumer-part-no., year / week, max. 30 Nm

Tightening torque: max. 30 Nm

Electrical

Data: Sensing resistor: PT 1000 to DIN 60751

Signal: min 0,5 V ± 60 mV at -30°C (-22°F), max 9,5 V ± 120 mV at +130°C (+266°F) (medium)

Power supply: 10 mA constant current or DC voltage 18-32 V

Environmental

Conditions: Relative humidity: 92% at 40°C (104°F) / 83% at 23°C (73°F)

Medium temperature: -50°C to +130°C (-58°F to +266°F)

Ambient temperature: -40°C to +125°C (-40°F to +257°F) (C)

Storage temperature: -40°C to +125°C (-40°F to +257°F) (b), -60°C (-76°F) max. 20 hours

Pressure resistance: 20 bar (290.08 psi)

Environmental protection: IP 69K to DIN 40 050 with mounted mating connector

Measuring medium: lubricant, hydraulic oil, fuel, coolant

EMC:

Radiated emission: 2004/104/EG 30 MHz - 1 GHz; 1 m

Conducted transient emission: ISO 7637-2:2004

Immunity to RF electromagnetic fields: ISO 11452-1/-2 1000 MHz - 2000 MHz; 30 V / m (rms)

Immunity to RF electromagnetic fields in the stripline: ISO 11452-1/-5 20 MHz - 1000 MHz; 60 V / m (rms)

Transient immunity test on power lines: ISO 7637-2/2004 Impulse 1, 2a, 2b, 3a, 3b, 4

field of application	admissible tolerance	surface	scale 1:1	position -	amount -
	ISO2768-mK				
	date	name	description		
	created by 14.08.2008	SchAl	Active temperature sensor -30°C to +130°C		
	checked by 14.08.2008	StaRo			
c. see drawing	08.03.12	MoeMi/StaRo	drawing number	sheet	
b. temperature	15.06.10	MoeMi/SasCh	BEDIA® 420503	1/1	
a. order number	21.08.08	SchAl/SasCh		drawing path: I:\CAD\420420503\US.idw	
rev. modification	date	name/checked by			