



Heat detector, 54°C

Salwico NS-AH/A1S

Part no. N11231

System: Salwico NSAC-1 fire alarm system

Description

The NS-AH/A1S is an analogue addressable heat detector for Salwico addressable fire alarm systems. It has a pre-programmed static alarm level of 54°C and it also gives a rate of rise pre-alarm. The detector is marked with a green spot.

This low profile heat detector uses a high quality electronic sensing element of low thermal mass, which gives very accurate and fast temperature readings. The temperature can be displayed on the fire alarm panel.

When the detector is in alarm condition, a red LED on the detector will be lit. The LED is lit until the alarm has been reset.

The detector is polarity independent.

The address is set with a DIP switch.

An external LED indicator, buzzer etc. can be connected to the remote output.

The polarity of the loop has to be connected according to the drawing below, if the remote output is used.

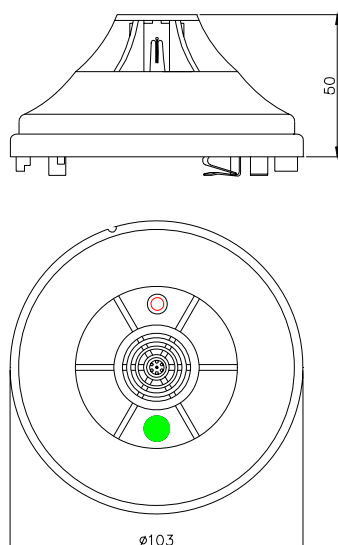
Data

Operating principle	Static temperature and rate of raise
Alarm operating temperature	54°C
Pre-alarm temperature level	>45°C and rate of rise >10°C/min
Operating temperature range	-25°C to +90°C
System voltage	24 V DC
Operating voltage	15 - 35 V DC
Operating current	
- supervising	0.2 mA
- alarm	2.5 mA
Remote output	2 mA (for remote indication)
Ambient humidity	0 to 95% RH
Colour	White
Weight	~95 g
	~160 g (with IP22 base)
	~510 g (with IP55 base)

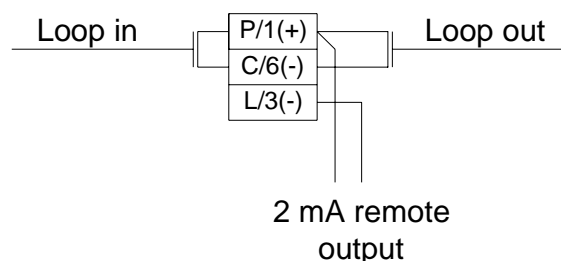
Bases

For information about suitable base, see separate document "Base matrix Salwico units".

Dimensions (mm)



Connection



Specifications may be subject to change for improvement without prior notice

Data sheet no: N11231.06.1.E